



DOSATRON®

WATER POWERED DOSING TECHNOLOGY

20 GPM: D45RE15

Product Specifications

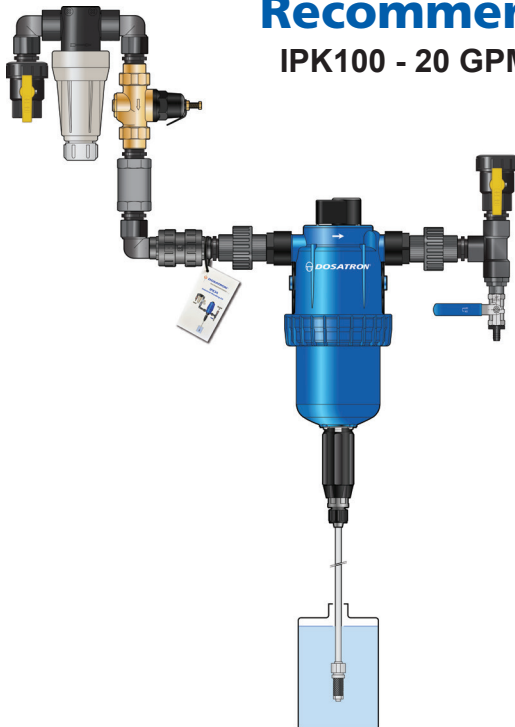
Call 800-523-8499 to order the Dosatron for your specific application

Dilution Range:	1:500 to 1:66 (.2% to 1.5%)
Water Flow Range:	.4 to 20 GPM
Operating Pressure Range:	7 to 70 PSI
Available Housing Materials:	Polyacetal (Standard Blue)
Dimensions:	24" x 7 1/2"
Weight:	8 lbs
Connection Size:	1" NPT
Maximum Temperature:	104° F
Included Accessories:	6 ft clear suction tube, strainer, weight, mounting bracket and operating manual
Recommended Accessories:	200 mesh filter, check valve, pressure regulator, flow restrictor.



Recommended Installation

IPK100 - 20 GPM Industrial Plumbing Kit



- 1" polypropylene Banjo single union ball valve
- 1/2" stainless steel ball valve
- 1" poly 200 mesh tee filter
- 1" brass pressure regulator w/gauge
- 1" 20 GPM flow restrictor
- 1" polypropylene check valve
- 1" unions PVC schedule 80
- 1" x 2" Banjo polypropylene fittings
- 1/2" x 2" Banjo polypropylene fittings
- 1/2" x 1/2" Banjo barb fitting
- 1" to 3/4" Banjo reducer bushing
- 3/4" male to 1/2" female Banjo reducer bushing
- 1" Banjo T
- 1" Banjo street elbows
- Roll of teflon tape
- Instruction card
- Zip tie



Dosatron International
2090 Sunnydale Blvd. • Clearwater, FL, USA
800-523-8499 • www.dosatronusa.com

Dosatron International, Inc. is an industry leader in water-powered, proportional chemical injectors. Dosatron products are manufactured according to ISO 9001:2000 and ISO 14001:2004 standards.