

ASSEMBLY INSTRUCTIONS

For quick priming (helpful at low water flows):

- Shut off outlet ball valve
- Insert injection hose into the chemical container
- Turn on the stainless steel ball valve (collect discharged solution or send it to drain)
- Observe the injection hose. When full, count 10 clicks
- Shut off stainless steel ball valve
- Turn outlet ball valve on

For sample collection:

- Make sure the unit is primed
- Shut off outlet ball valve
- Turn stainless steel ball valve on
- In a clean container, collect 2.5 gallons of diluted solution
- Shut off stainless steel ball valve
- Collect sample out of the 2.5 gallons and check concentration
- Turn on the outlet valve

Dilution[™]
SOLUTIONS



LIT-EN-IPK34MC-14GPM

2090 Sunnydale Blvd. • Clearwater, FL 33765

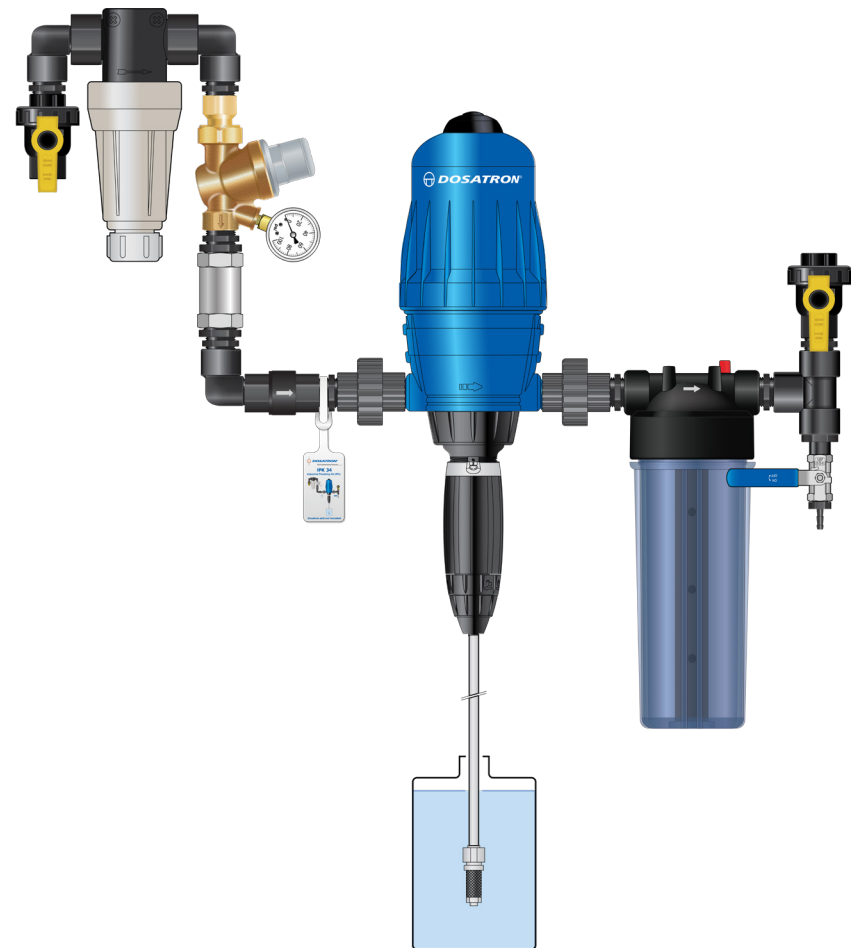
• 1-800-451-6628 • 1-727-451-1198 • Fax: 1-727-451-1197

www.dilutionsolutions.com

IPK34MC - 14 GPM

Industrial Plumbing Kit with Mixing Chamber

For units: D14MZ2, D14MZ5, D14MZ10,
and D14MZ3000



(Dosatron unit sold separately)

