



DOSATRON®

WATER POWERED DOSING TECHNOLOGY

SCHEMATICS

Dosatron Liquid Dispenser
Model # D14WL2NAF- 14 GPM

1:500 - 1:50

4.3 - 85 PSI

3/4" NPT Connection



Certified to
NSF/ANSI 61 & 372

Suggested Installation:

200 mesh/80 micron water filter prior to unit

One-way check valve downstream from unit for water hammer protection

Suggested Maintenance Interval:

Replace injection seals every 12 months

DOSATRON SALES & SERVICE - NORTH & CENTRAL AMERICA

Dosatron International, Inc.

Phone: 727-443-5404 Service: (800) 523-8499

Fax: 727-447-0591

www.dosatronUSA.com

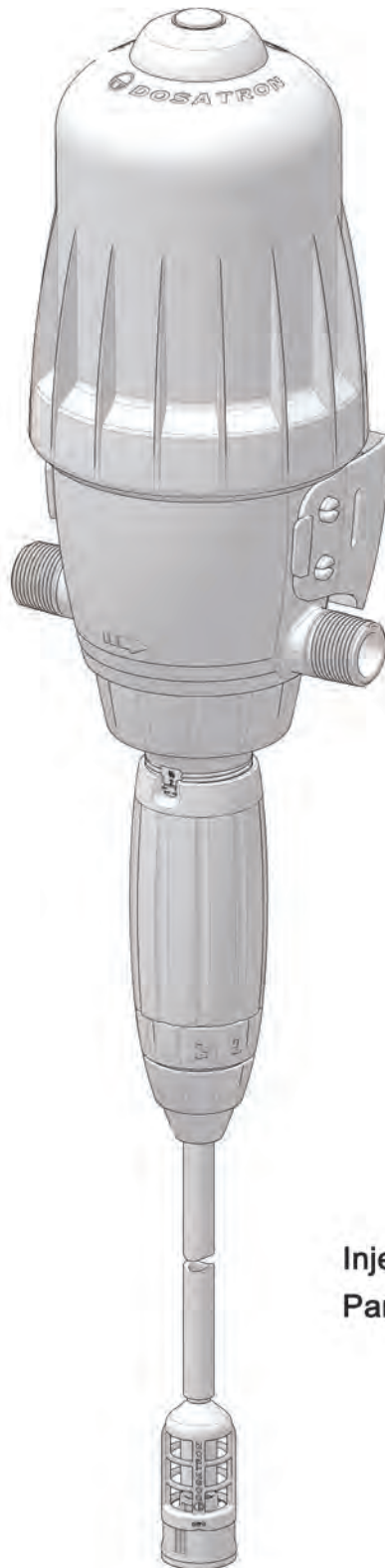
mailbox@dosatronusa.com

D14WL2NAF



Certified to
NSF/ANSI 61 & 372

14 GPM - 1:500 - 1:50
3m³/h - 0.2 - 2%
4.3 - 85 psi
0.3 - 6 bar



Injection Seal Kit
Part #: PJDI116NAF

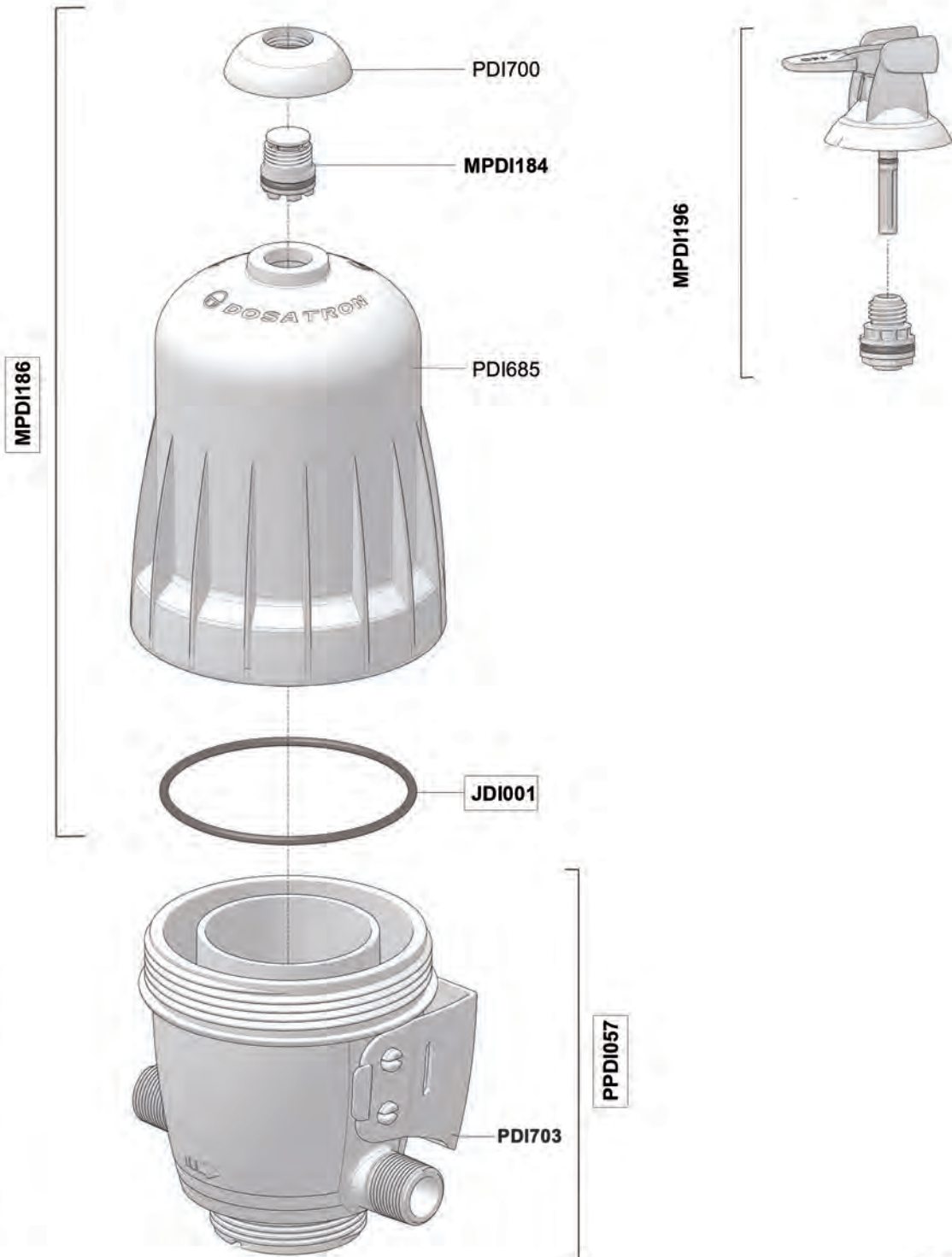
D14WL2NAF



Certified to
NSF/ANSI 61 & 372

14 GPM - 1:500 - 1:50
3m³/h - 0.2 - 2%
4.3 - 85 psi
0.3 - 6 bar

OPTION



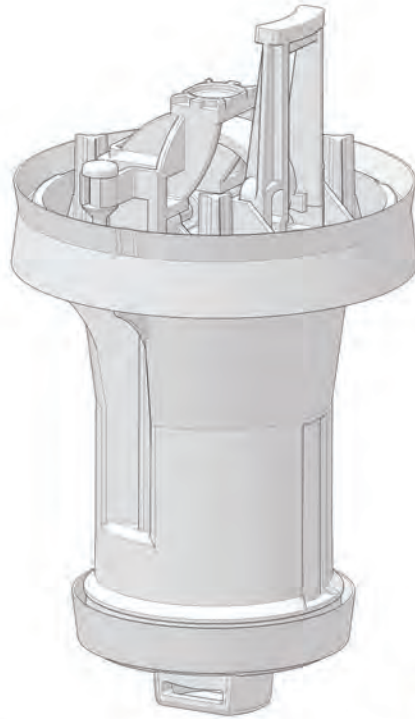
D14WL2NAF



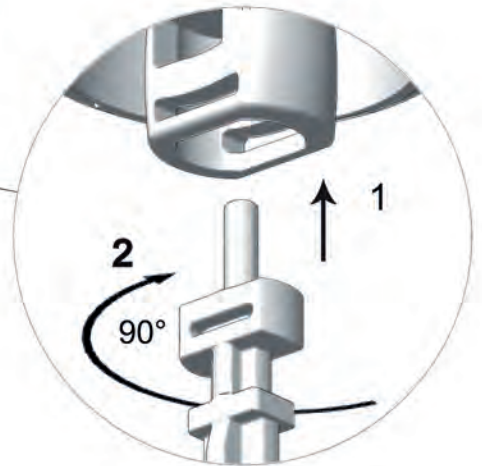
Certified to
NSF/ANSI 61 & 372

14 GPM - 1:500 - 1:50
3m³/h - 0.2 - 2%
4.3 - 85 psi
0.3 - 6 bar

PCDI030



PJDI114NAF



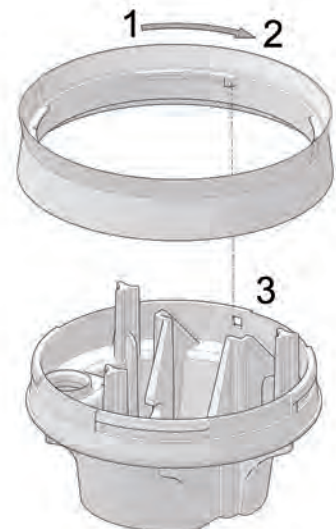
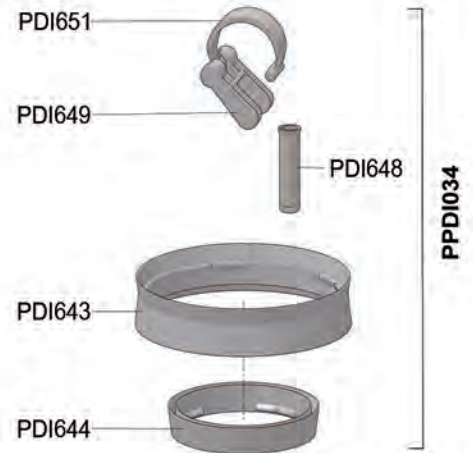
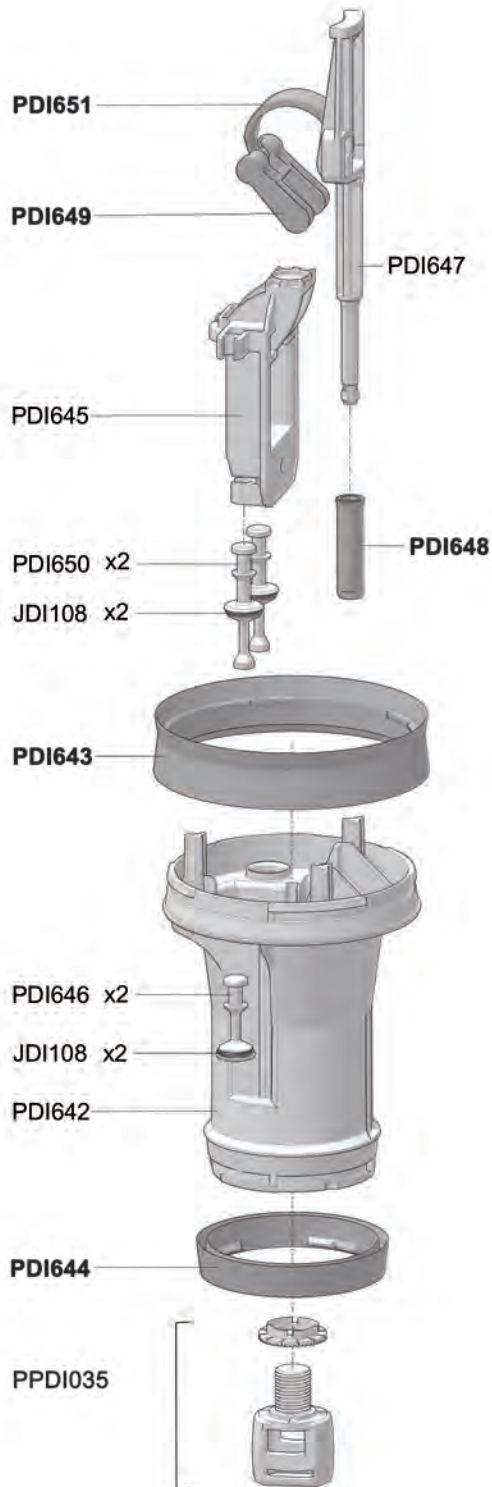
J009NAF

D14WL2NAF



Certified to
NSF/ANSI 61 & 372

14 GPM - 1:500 - 1:50
3m³/h - 0.2 - 2%
4.3 - 85 psi
0.3 - 6 bar

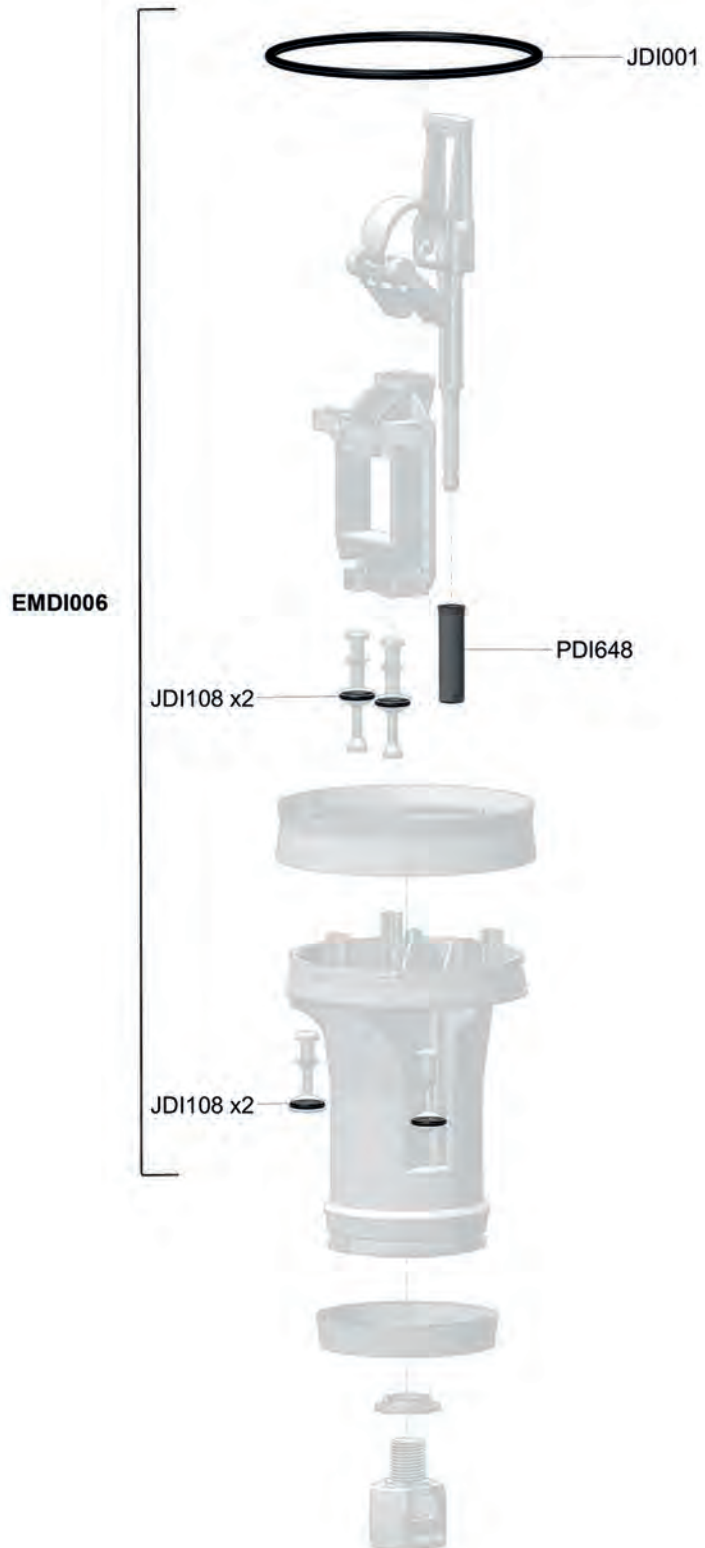


D14WL2NAF



Certified to
NSF/ANSI 61 & 372

14 GPM - 1:500 - 1:50
3m³/h - 0.2 - 2%
4.3 - 85 psi
0.3 - 6 bar



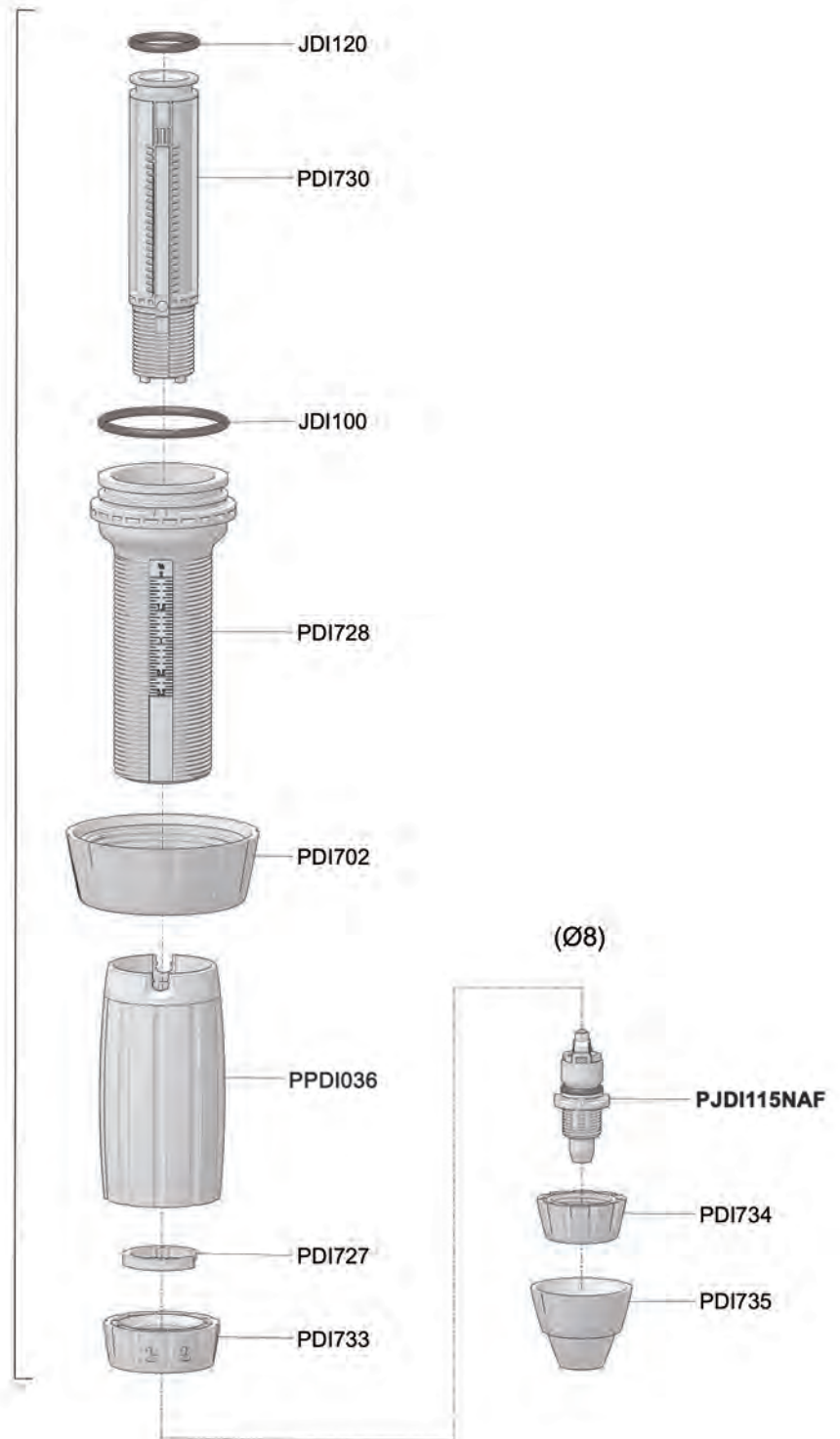
D14WL2NAF



Certified to
NSF/ANSI 61 & 372

14 GPM - 1:500 - 1:50
3m³/h - 0.2 - 2%
4.3 - 85 psi
0.3 - 6 bar

CDDI074NAF



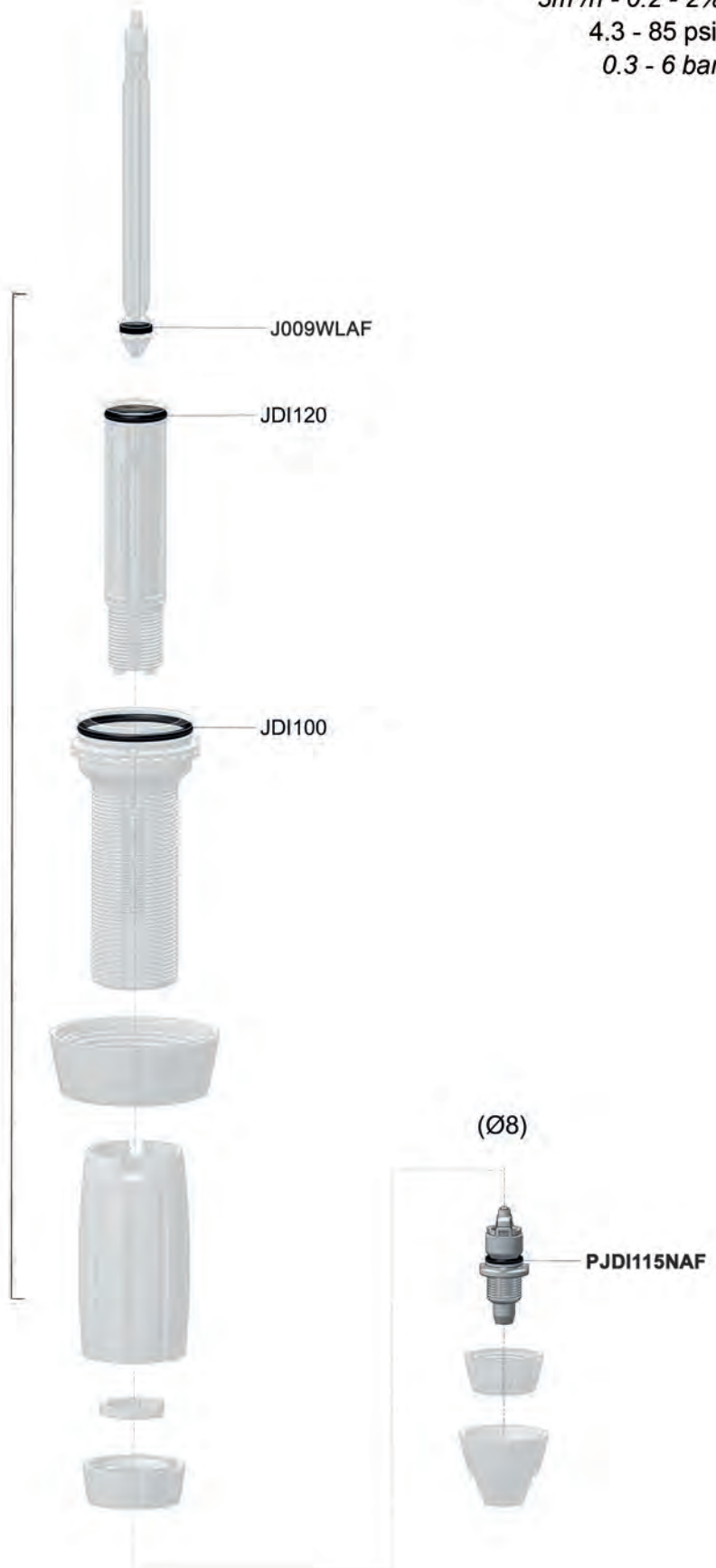
D14WL2NAF



Certified to
NSF/ANSI 61 & 372

14 GPM - 1:500 - 1:50
3m³/h - 0.2 - 2%
4.3 - 85 psi
0.3 - 6 bar

PJDI116NAF



D14WL2NAF



Certified to
NSF/ANSI 61 & 372

14 GPM - 1:500 - 1:50
 $3m^3/h$ - 0.2 - 2%
4.3 - 85 psi
0.3 - 6 bar

