



DOSATRON®

WATER POWERED DOSING TECHNOLOGY

Introducing the **D132**

Dosatron's NEW Mega-Flo Series Fertilizer and Chemical Injectors

The D132 Series of fertilizer and chemical injectors is part of the **NEW Mega-Flo Series!** These new models have the water flow capacity of **132 gallons per minute.**

The D132 models are the perfect solution to inject soluble fertilizer, while the low injection rate model (1:30,000) is for direct injection of water treatment chemicals.

The D132 is great for:

- Fertilizers
- Insecticides
- Fungicides
- Algicides
- Acids
- Wetting Agents
- Disinfectants
- Compost Tea
- Hydroponics
- Chlorine Dioxide
- Chlorine

UNIT SPECIFICATIONS

| MODEL | D132WL30000 | D132WL5000 | D132MZ1 |
|--------------------|---------------------|------------------|------------------|
| MAX. FLOW | 132 GPM | 132 GPM | 132 GPM |
| MIN. FLOW | 35.2 GPM | 35.2 GPM | 35.2 GPM |
| INJECTION PERCENTS | 0.003% to 0.03% | 0.02% to 0.2% | 0.1% to 1% |
| INJECTION RATIO | 1:30,000 to 1:3,000 | 1:5,000 to 1:500 | 1:1,000 to 1:100 |
| PRESSURE RANGE | 7 - 87 PSI | 7 - 87 PSI | 7 - 87 PSI |
| CONNECTIONS | 3" NPT | 3" NPT | 3" NPT |

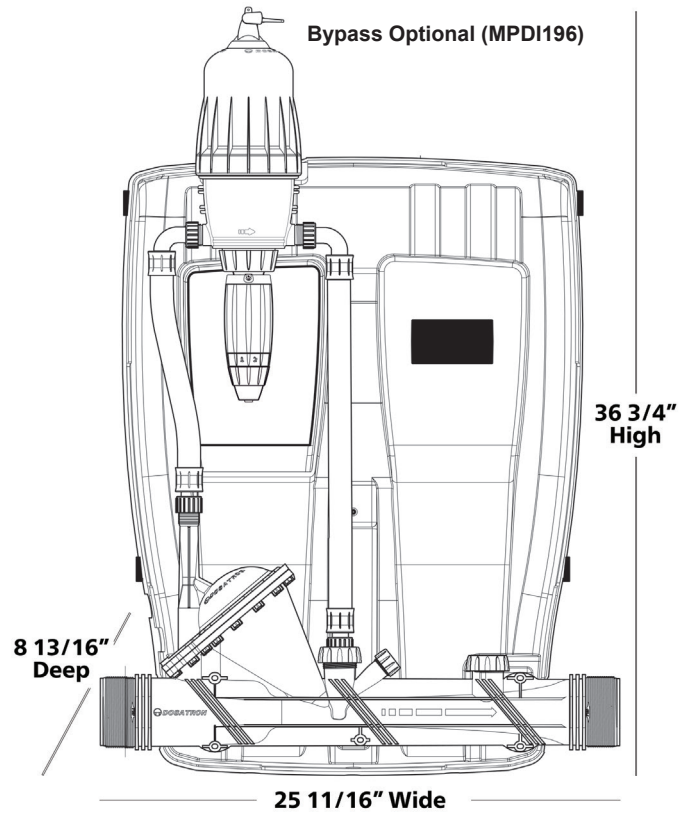
All units include: suction hose, weighted strainer, and quick start guide.
MAXIMUM TEMPERATURE: 104°F



To learn more about the NEW D132 or to order, call **1-800-523-8499** or **CHAT** with us on our website at www.dosatronusa.com.

1-800-523-8499 • 1-727-443-5404 • www.dosatronusa.com

D132 DIAGRAM



UNIT INSTALLATION

