

# 132 GPM: D132WL30000

## PRODUCT DESCRIPTION

The Dosatron D132WL30000-132 GPM is part of the high flow series of injectors and has a maximum flow of 132 GPM. The D132WL30000 is water-powered, with an injection ratio of 1:30000 to 1:3000. This low injection rate model is for direct injection of water treatment chemicals.



## PRODUCT SPECIFICATIONS

Dilution Range:	1:30000 to 1:3000
Injection Percents:	0.003 to 0.03%
Water Flow Range:	35.2 to 132 GPM
Operating Pressure Range:	7 to 87 PSI
Weight:	33 lbs
Connection Size:	3" NPT
Maximum Temperature:	104° F
Included Accessories:	Suction tube, strainer, and operating manual
Recommended Accessories:	Filter - part #: AKF5AP132-A, Bypass - part #: MPDI196

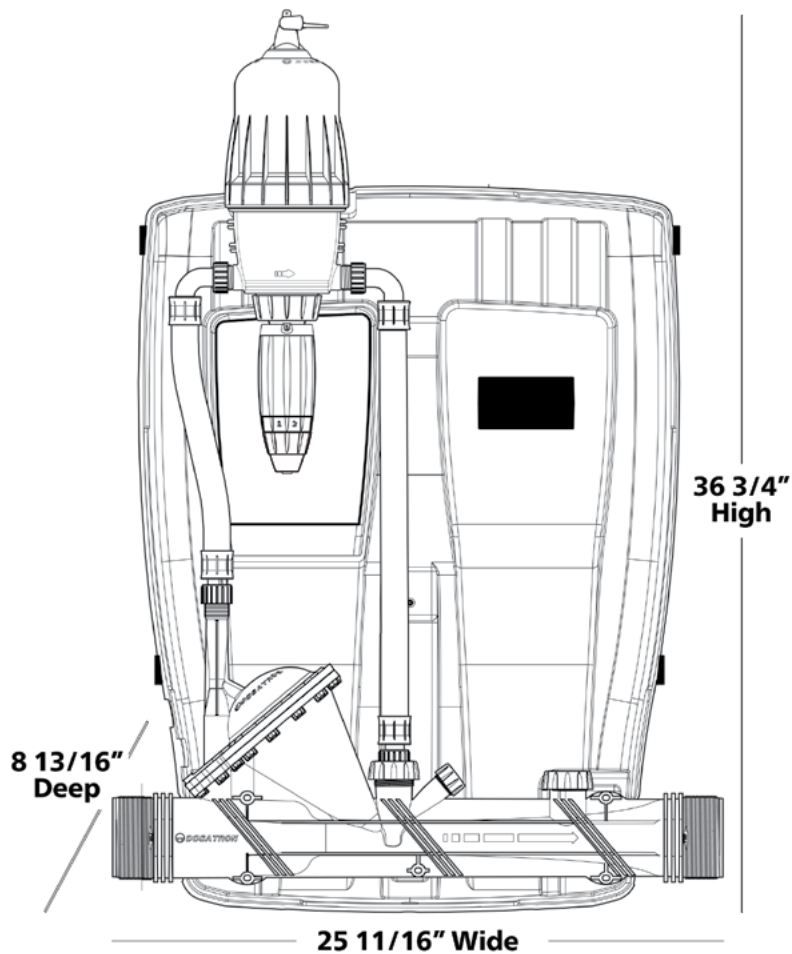
**Call 800-523-8499 to order the Dosatron for your specific application**



# DOSATRON®

WATER POWERED DOSING TECHNOLOGY

## 132 GPM: D132WL5000



Dosatron International  
2090 Sunnysdale Blvd. • Clearwater, FL, USA  
800-523-8499 • [www.dosatronusa.com](http://www.dosatronusa.com)

Dosatron International, LLC. is an industry leader in water-powered, proportional chemical injectors. Dosatron products are manufactured according to ISO 9001:2000 and ISO 14001:2004 standards.