



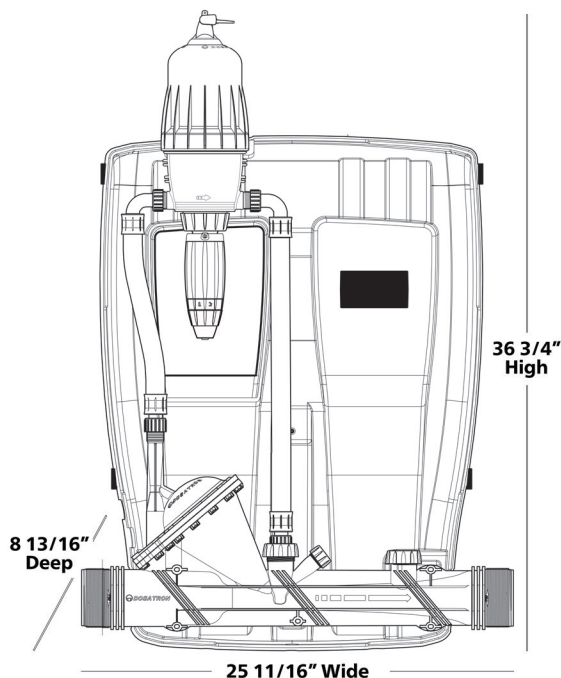
DOSATRON®

WATER POWERED DOSING TECHNOLOGY

132 GPM: D132MZ1

Product Specifications

Dilution Range:	1:1000 to 1:100
Injection Percents:	0.1 to 1%
Water Flow Range:	35.2 to 132 GPM
Operating Pressure Range:	7 to 87 PSI
Weight:	33 lbs
Connection Size:	3" NPT
Maximum Temperature:	104°F
Included Accessories:	Suction tube with strainer, operating manual
Recommended Accessories:	Filter (AKF5AP132-A), Bypass (MPDI196)



Call 1-800-523-8499 to order your DOSATRON Now!

Dosatron International, Inc.
2090 Sunnydale Blvd. • Clearwater, FL, USA • 1-800-523-8499 • www.dosatronusa.com

Dosatron International, Inc. is an industry leader in water-powered, proportional chemical injectors. Dosatron products are manufactured according to ISO 9001:2000 and ISO 14001:2004 standards.