

ASSEMBLY INSTRUCTIONS

For quick priming (helpful at low water flows):

- Shut off outlet ball valve
- Insert injection hose into the chemical container
- Turn on the stainless steel ball valve (collect discharged solution or send it to drain)
- Observe the injection hose. When full, count 10 clicks
- Shut off stainless steel ball valve
- Turn outlet ball valve on

For sample collection:

- Make sure the unit is primed
- Shut off outlet ball valve
- Turn stainless steel ball valve on
- In a clean container, collect 2.5 gallons of diluted solution
- Shut off stainless steel ball valve
- Collect sample out of the 2.5 gallons and check concentration
- Turn on the outlet valve

Dilution[™]
SOLUTIONS



LIT-EN-IPK34-3GPM

2090 Sunnysdale Blvd. • Clearwater, FL 33765

• 1-800-451-6628 • 1-727-451-1198 • Fax: 1-727-451-1197

www.dilutionsolutions.com

IPK34 - 3 GPM Industrial Plumbing Kit

For units: D07RE5 and D07RE125

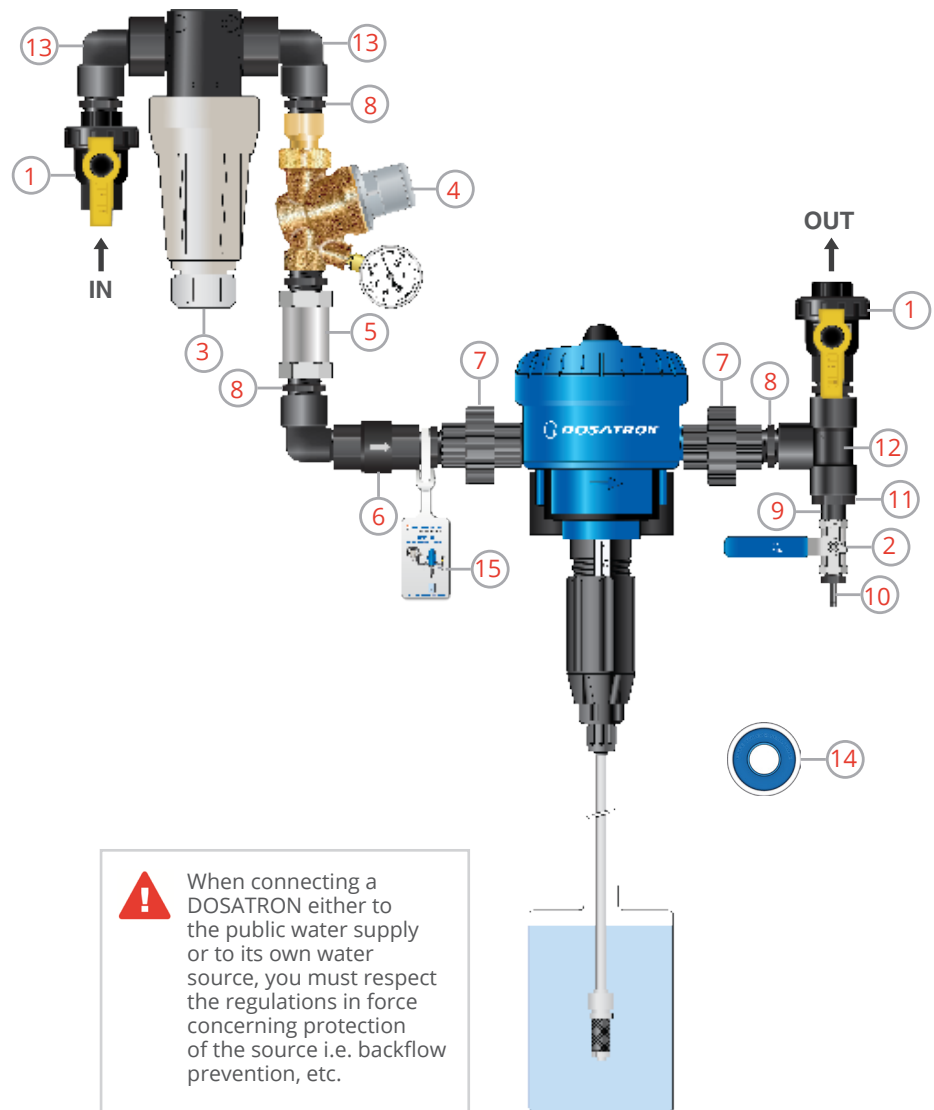


(Dosatron unit sold separately)

- 1 Wrap all male fittings with 5 - 6 turns of Teflon tape if white, only 3 - 4 turns if pink or blue tape.
- 2 Install the following parts with their arrows pointing in the direction of the flow:
 - Check valve
 - Filter
 - Pressure regulator
- 3 Attach the instruction card to the injector.

IPK34 - 3 GPM

| Qty | IPK34 - 3 GPM Includes: | # |
|-----|--|----|
| 2 | 3/4" polypropylene single union ball valve | 1 |
| 1 | 1/2" stainless steel ball valve | 2 |
| 1 | 3/4" polypropylene 200 mesh tee filter | 3 |
| 1 | 3/4" pressure regulator w/gauge | 4 |
| 1 | 3/4" flow restrictor 3 GPM | 5 |
| 1 | 3/4" polypropylene check valve | 6 |
| 2 | 3/4" union schedule 80 PVC | 7 |
| 7 | 3/4" x 2" polypropylene fittings | 8 |
| 1 | 1/2" x 2" polypropylene fitting | 9 |
| 1 | 1/2" x 1/2" barb fitting | 10 |
| 1 | 3/4" male to 1/2" female reducer bushing | 11 |
| 1 | 3/4" Tee | 12 |
| 3 | 3/4" street elbows | 13 |
| 1 | Roll of thread tape | 14 |
| 1 | Instruction card | 15 |



! When connecting a DOSATRON either to the public water supply or to its own water source, you must respect the regulations in force concerning protection of the source i.e. backflow prevention, etc.

NOTE: Parts ordered, or pictured, may look slightly different than the image displayed, but the fit and function will be the same.