



Part 20PJ030MINI-H: D20S - 100 GPM Mini Maintenance Kit

This kit contains:

(1) 20PJ011	Lower Check Valve Assembly
(1) 20J012	Upper Plunger Seal
(1) 20J014	Flat Check Valve Seal
(1) Silicone	DOSA-LUBE



2090 Sunnydale Blvd.
Clearwater, FL 33765
1-800-523-8499 • 1-727-443-5404
www.dosatronusa.com

Kit Contents:

20PJ011:
Lower Check
Valve Assembly



20J012:
Upper Plunger
Seal



DOSA-LUBE:
Silicone



Use **Dosa-Lube** on
specified parts only.

20J014:
Flat Check
Valve Seal



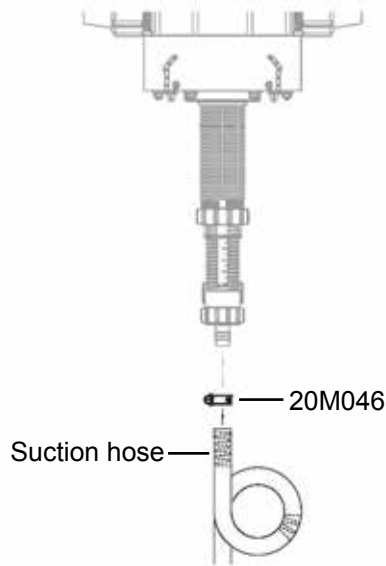
CAUTION: Parts may contain concentrated chemicals. The use of Proper Protective Equipment is recommended when performing maintenance.

Instructions

(Parts included in kit noted in blue)

Disassembly

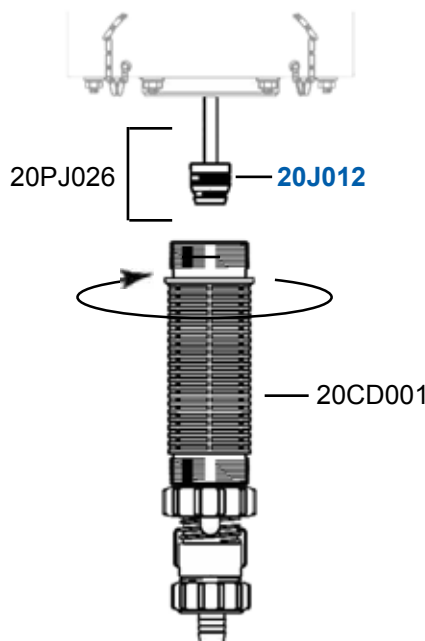
- Loosen the clamp (20M046) and remove the suction hose.



Suction hose

20M046

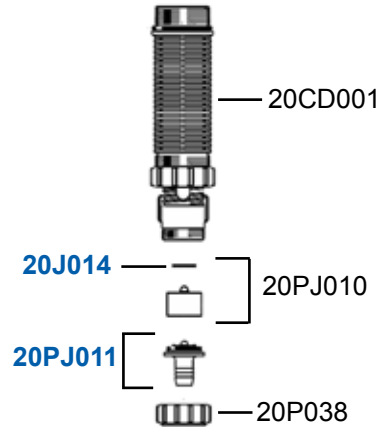
- Unscrew and remove the injection stem assembly (20CD001) from the grey base to expose the plunger (20PJ026). Remove the upper plunger seal (20J012) from the plunger (20PJ026) and discard the seal.



20PJ026

20CD001

- From the injection stem assembly (20CD001), unscrew the check valve nut (20P038) then remove and discard the lower check valve assembly (20PJ011). Remove the upper check valve assembly (20PJ010), remove the flat check valve seal (20J014) from the upper check valve assembly and discard the flat seal only.



20CD001

20J014

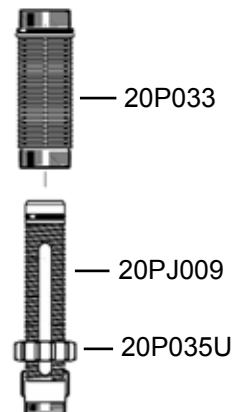
20PJ010

20PJ011

20P038

NOTE: If the upper check valve assembly (20PJ010) is stuck inside the white stem, insert the end of the suction hose through the top of the stem and push the upper check valve out.

- Unscrew nut (20P035U) from sleeve (20P033) and pull down on the injection stem (20PJ009) to remove it from the sleeve.



20P033

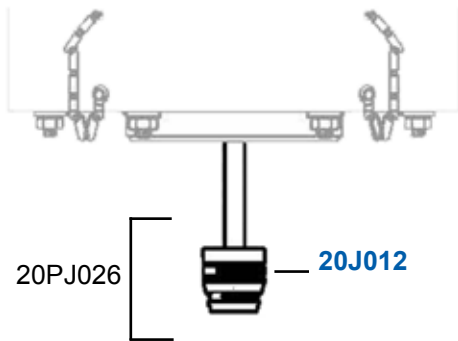
20PJ009

20P035U

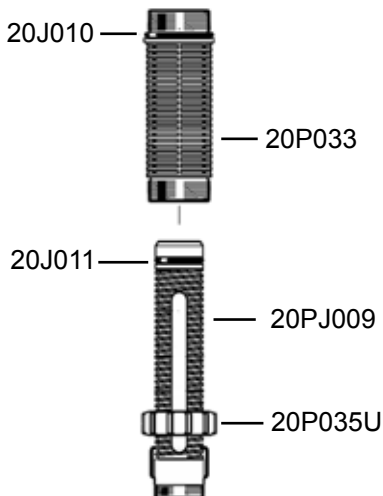
NOTE: Reassembly instructions on back.

Reassembly

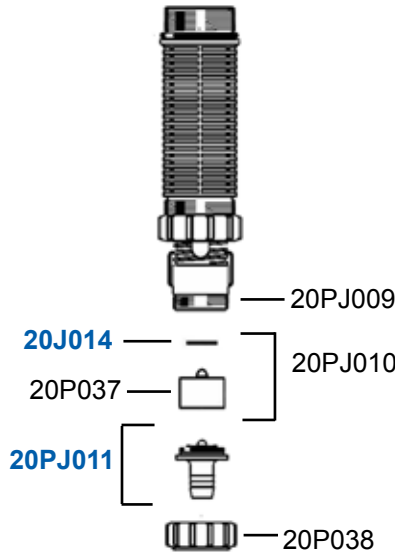
- Place the new top seal (20J012) on the plunger (20PJ026) making sure that it sits on the groove, and is not twisted. It should fit loosely.



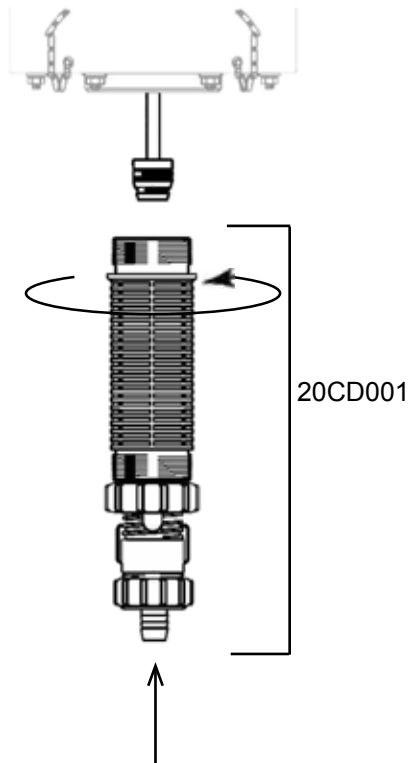
- Using the **Dosa-Lube** provided in the kit, rub a small amount on the injection stem o-ring (20J011) and the sleeve o-ring (20J010). Reinsert the injection stem (20PJ009) into the sleeve (20P033). Reposition the clear indicator ring (2 halves) on the stem, then slide nut (20P035U) over clear ring and tighten nut onto sleeve (20P033).



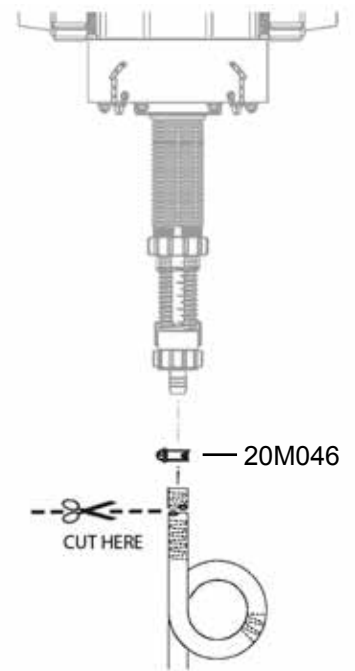
- Take the new flat check valve seal (20J014) and place it on top of the upper check valve (20P037). Take the upper check valve assembly (20PJ010) and the new lower check valve assembly (20PJ011), put them together as a single entity and insert it back up into the injection stem (20PJ009). Reattach the check valve nut (20P038).



- Screw completely reassembled injection stem (20CD001) at the bottom of the grey base of the unit.



- Cut 1" off from the top of the suction hose to ensure a tight fit, make sure to cut in a straight line. Attach the hose and the metal clamp (20M046) back to the unit.



! Don't forget to reset your injection rate to the proper ratio.