



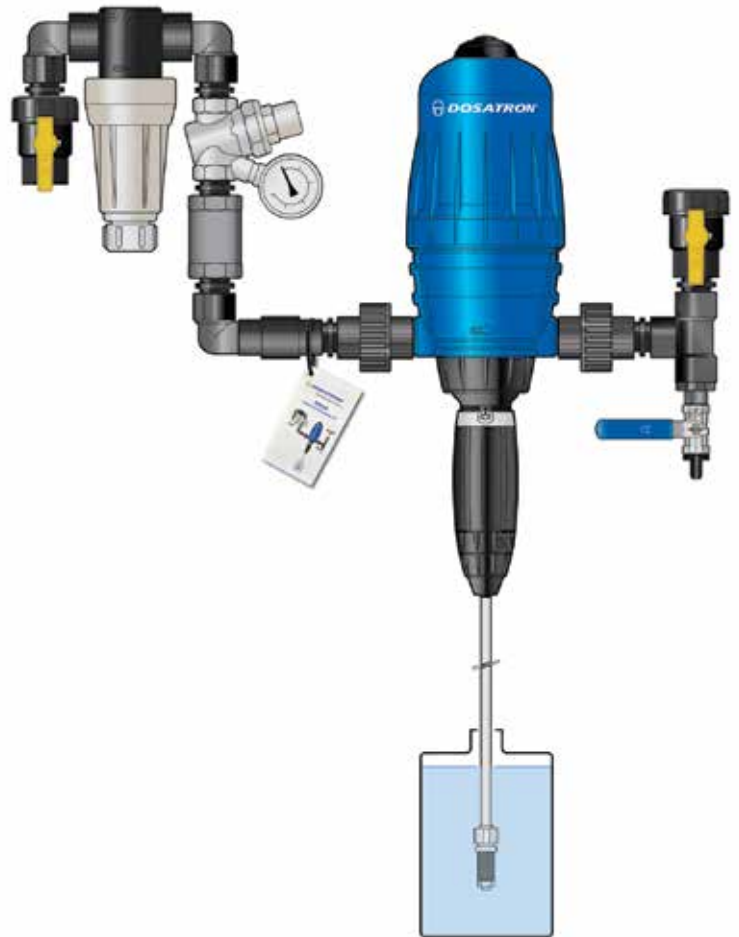
**DOSATRON**<sup>®</sup>  
WATER POWERED DOSING TECHNOLOGY

## Industrial Plumbing Kit

**Part #: IPK34 - 14 GPM**

### IPK34 - 14 GPM Includes:

3/4" polypropylene Banjo single union ball valve (2)
1/2" stainless steel ball valve
3/4" polypropylene 200 mesh tee filter
3/4" brass pressure regulator w/gauge
3/4" 14 GPM flow restrictor
3/4" polypropylene check valve
3/4" union schedule 80 PVC (2)
3/4" x 2" Banjo polypropylene fittings (7)
1/2" x 2" Banjo polypropylene fittings
1/2" x 1/2" Banjo barb fitting
3/4" male to 1/2" female Banjo reducer bushing
3/4" Banjo T
3/4" Banjo street elbows (3)
Roll of Teflon tape
Instruction card



**NOTE:** Dosatron unit sold separately



For units: D14M22, D14M25,  
D14M210, and D14M23000

[Click here for IPK34 - 14 GPM Assembly Instructions](#)

Dosatron International • 2090 Sunnydale Blvd. • Clearwater, FL, USA  
800-523-8499 • 727-443-5404 • [www.dosatronusa.com](http://www.dosatronusa.com)



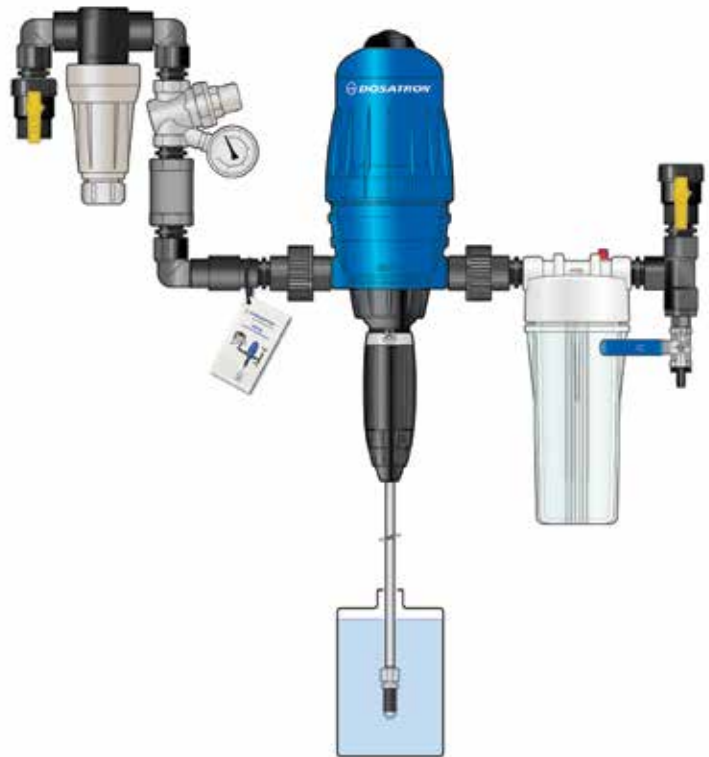
**DOSATRON®**  
WATER POWERED DOSING TECHNOLOGY

## Industrial Plumbing Kit With Mixing Chamber

**Part #: IPK34MC - 14 GPM**

### IPK34MC - 14 GPM Includes:

3/4" polypropylene Banjo single union ball valve (2)
1/2" stainless steel ball valve
3/4" polypropylene 200 mesh tee filter
3/4" brass pressure regulator w/gauge
3/4" 14 GPM flow restrictor
3/4" polypropylene check valve
3/4" union schedule 80 PVC (2)
3/4" x 2" Banjo polypropylene fittings (8)
1/2" x 2" Banjo polypropylene fittings
1/2" x 1/2" Banjo barb fitting
3/4" male to 1/2" female Banjo reducer bushing
3/4" Banjo T
3/4" Banjo street elbows (3)
Roll of Teflon tape
Instruction card
Mixing chamber



**NOTE:** Dosatron unit sold separately



### IPK34MC - 14 GPM

For units: D14MZ2, D14MZ5,  
D14MZ10, and D14MZ3000

[Click here for IPK34MC - 14 GPM Assembly Instructions](#)

Dosatron International • 2090 Sunnydale Blvd. • Clearwater, FL, USA  
800-523-8499 • 727-443-5404 • [www.dosatronusa.com](http://www.dosatronusa.com)