

For quick priming (helpful at low water flows):

- Shut off outlet ball valve
- Insert injection hose into the chemical container
- Turn on the stainless steel ball valve (collect discharged solution or send it to drain)
- Observe the injection hose. When full, count 10 clicks
- Shut off stainless steel ball valve
- Turn outlet ball valve on

For sample collection:

- Make sure the unit is primed
- Shut off outlet ball valve
- Turn stainless steel ball valve on
- In a clean container, collect 2.5 gallons of diluted solution
- Shut off stainless steel ball valve
- Collect sample out of the 2.5 gallons and check concentration
- Turn on the outlet valve



DOSATRON®

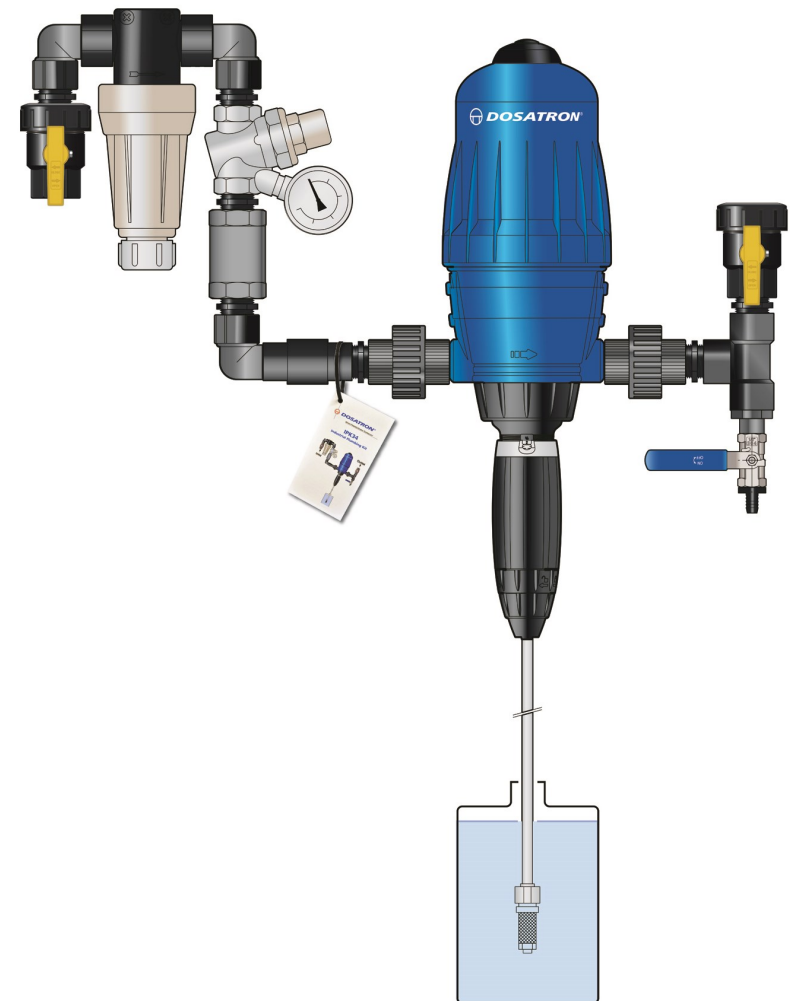
WATER POWERED DOSING TECHNOLOGY

2090 Sunnydale Blvd. ● Clearwater, FL 33765
727-443-5404 ● 800-523-8499

ASSEMBLY INSTRUCTIONS

IPK34 - 14 GPM Industrial Plumbing Kit

For units: D14MZ2, D14MZ5, D14MZ10, D14MZ3000



Dosatron unit sold separately.

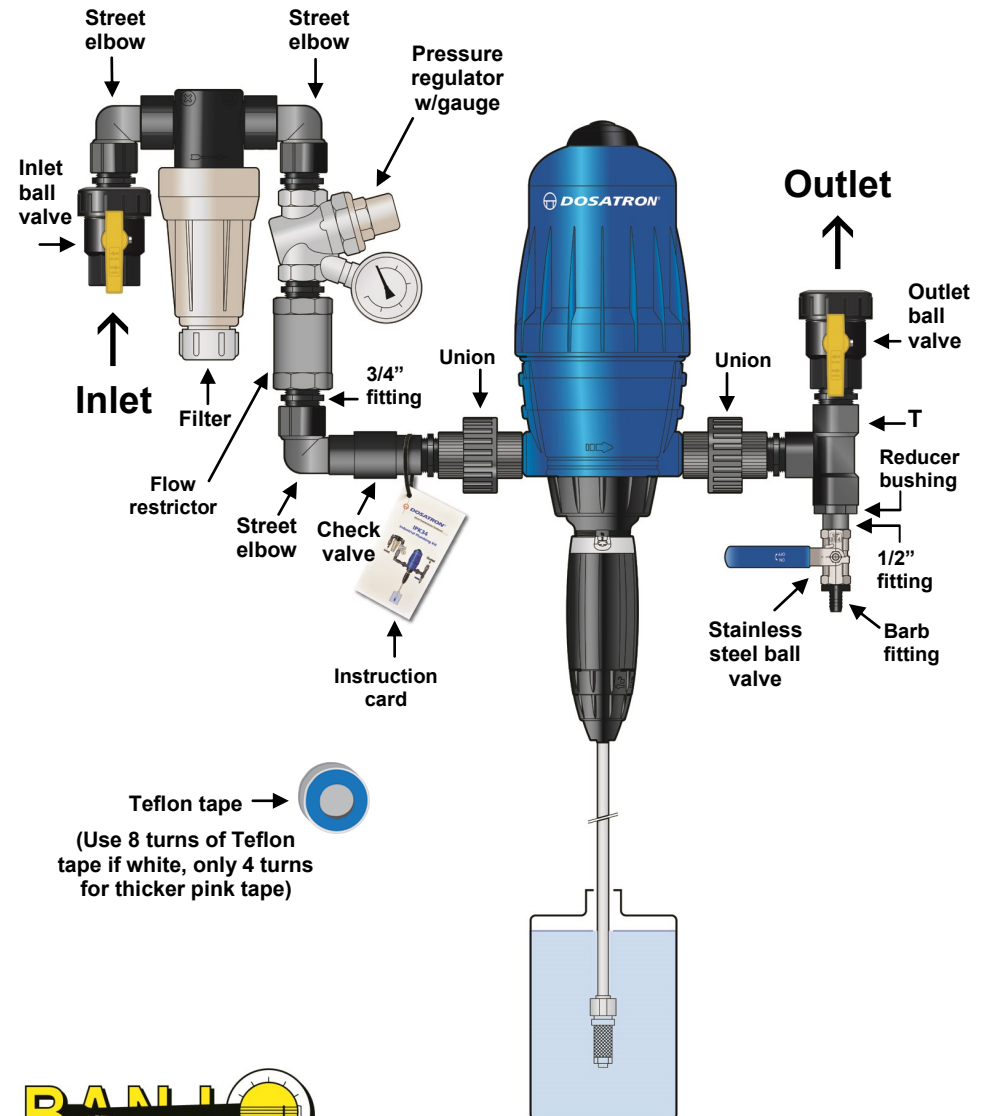
Customer Service and Technical Support

1 - 8 0 0 - 5 2 3 - 8 4 9 9

- 1 Wrap all male fittings with eight (8) turns of Teflon tape if white, only four (4) turns if thicker pink tape.
- 2 Install the following with their arrows pointing in the same direction as the flow:
 - Check valve
 - Filter
 - Pressure regulator
- 3 Attach instruction card to injector with zip tie provided.

IPK34 - 14 GPM includes:

2	3/4" polypropylene Banjo single union ball valve
1	1/2" stainless steel ball valve
1	3/4" polypropylene 200 mesh tee filter
1	3/4" brass pressure regulator w/gauge
1	3/4" 14 GPM flow restrictor
1	3/4" polypropylene check valve
2	3/4" union schedule 80 PVC
7	3/4" x 2" Banjo polypropylene fittings
1	1/2" x 2" Banjo polypropylene fittings
1	1/2" x 1/2" Banjo barb fitting
1	3/4" male to 1/2" female Banjo reducer bushing
1	3/4" Banjo T
3	3/4" Banjo street elbows
1	Roll of Teflon tape
1	Instruction card



When connecting a DOSATRON either to the public water supply or to its own water source, you must respect the regulations in force concerning protection of the source i.e. backflow prevention, etc.