

DOSATRON®

WATER POWERED DOSING TECHNOLOGY

SCHEMATICS

Dosatron Liquid Dispenser **Model # D60S – 264 GPM**

1:1000 – 1:154

2 – 120 PSI

Suggested Installation:

200 mesh/80 micron water filter prior to unit

One-way check valve downstream from unit for water hammer protection

Suggested Maintenance Interval:

Replace injection seals every 12 months

DOSATRON SALES & SERVICE - NORTH & CENTRAL AMERICA

Dosatron International, Inc.

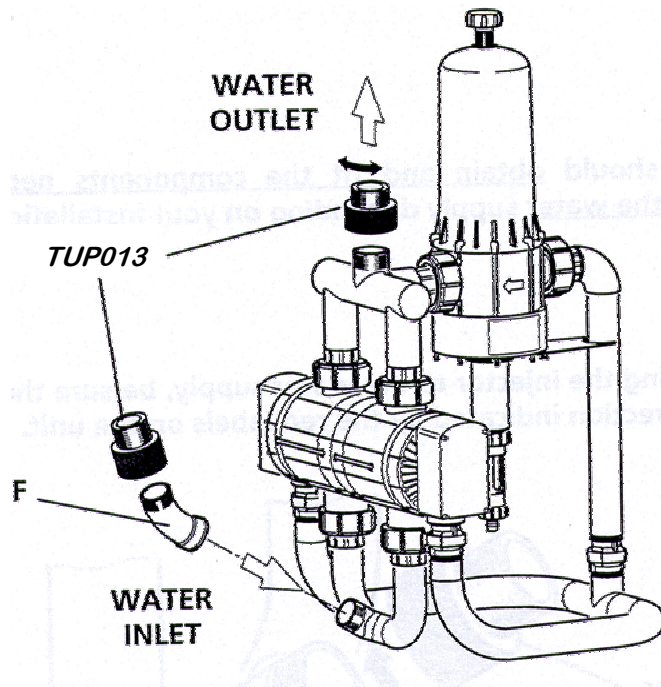
Phone: 727-443-5404 Service: (800) 523-8499

Fax: 727-447-0591

www.dosatronUSA.com

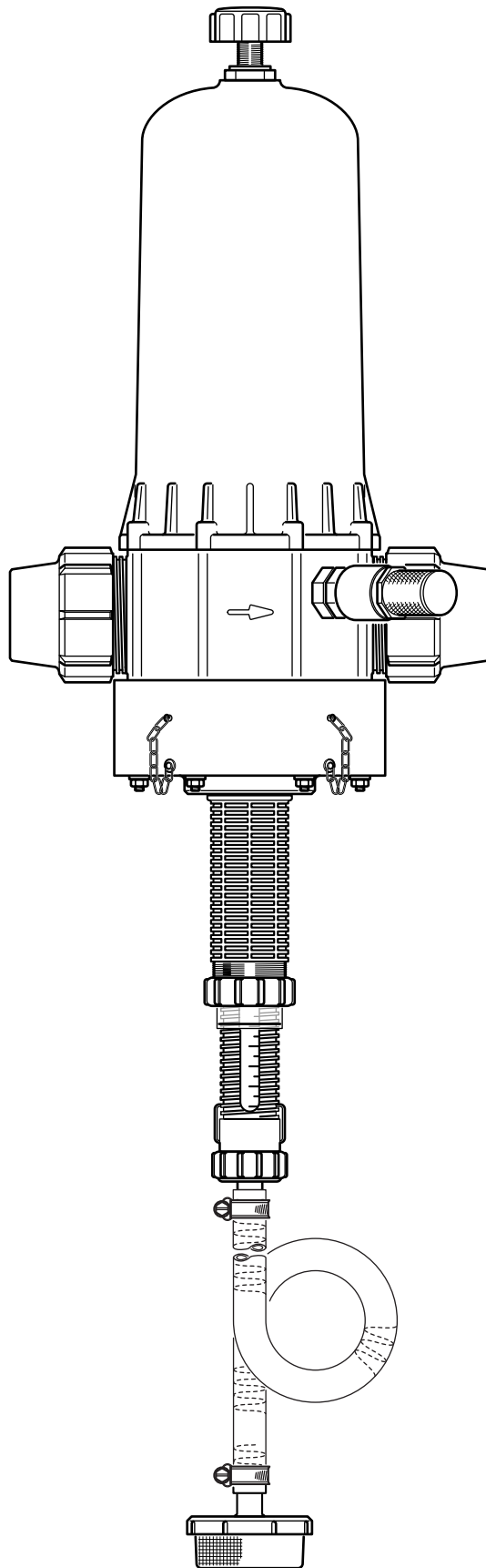
D60S
11/03

264 GPM - 1:1000 - 1:154
2-120 psi



D60S
11/03

264 GPM - 1:1000 - 1:154
2 - 120 psi



20ED 001 - Injection Seal Kit

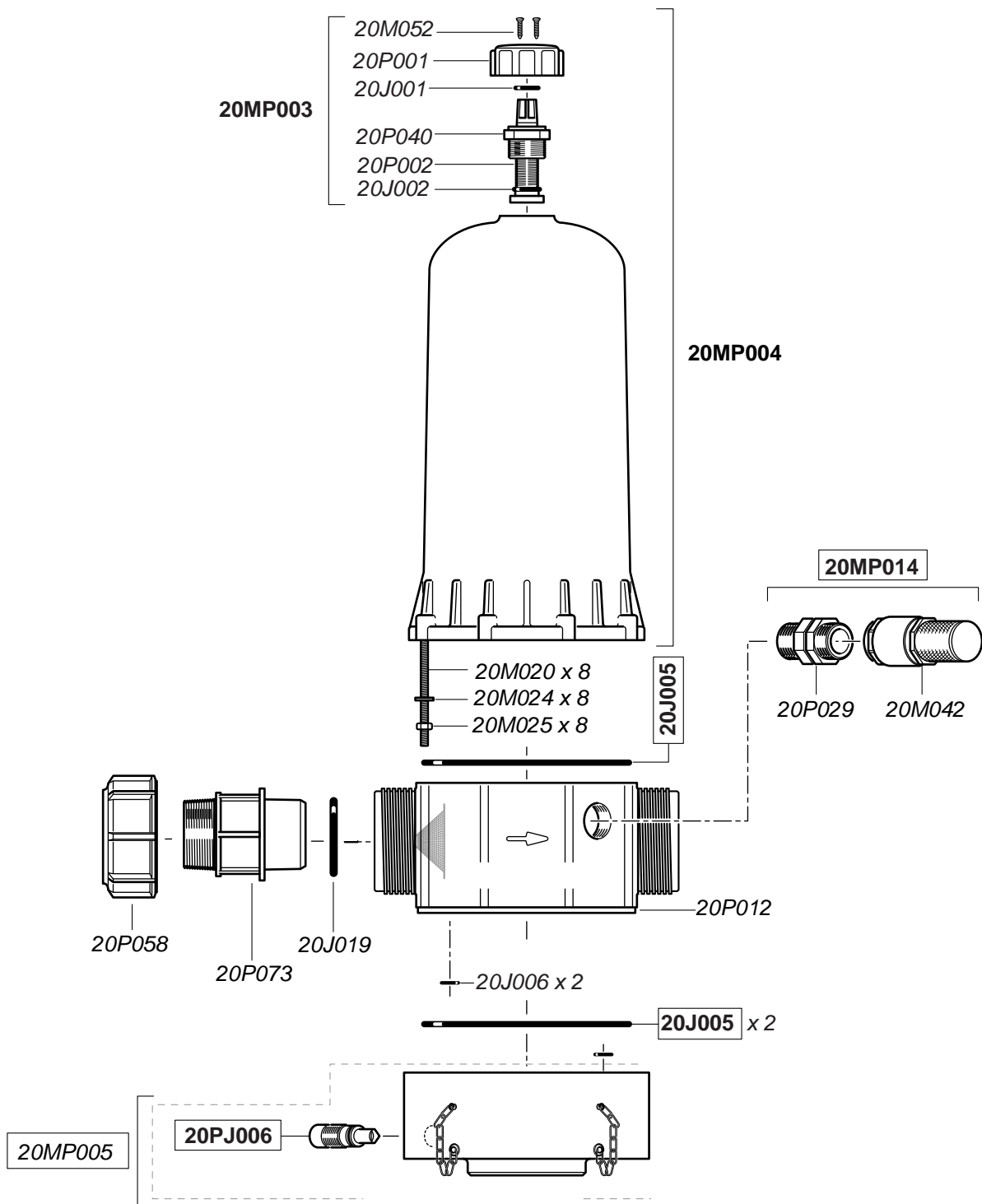
20ED 002 - Motor Seal Kit

D60S

11/03

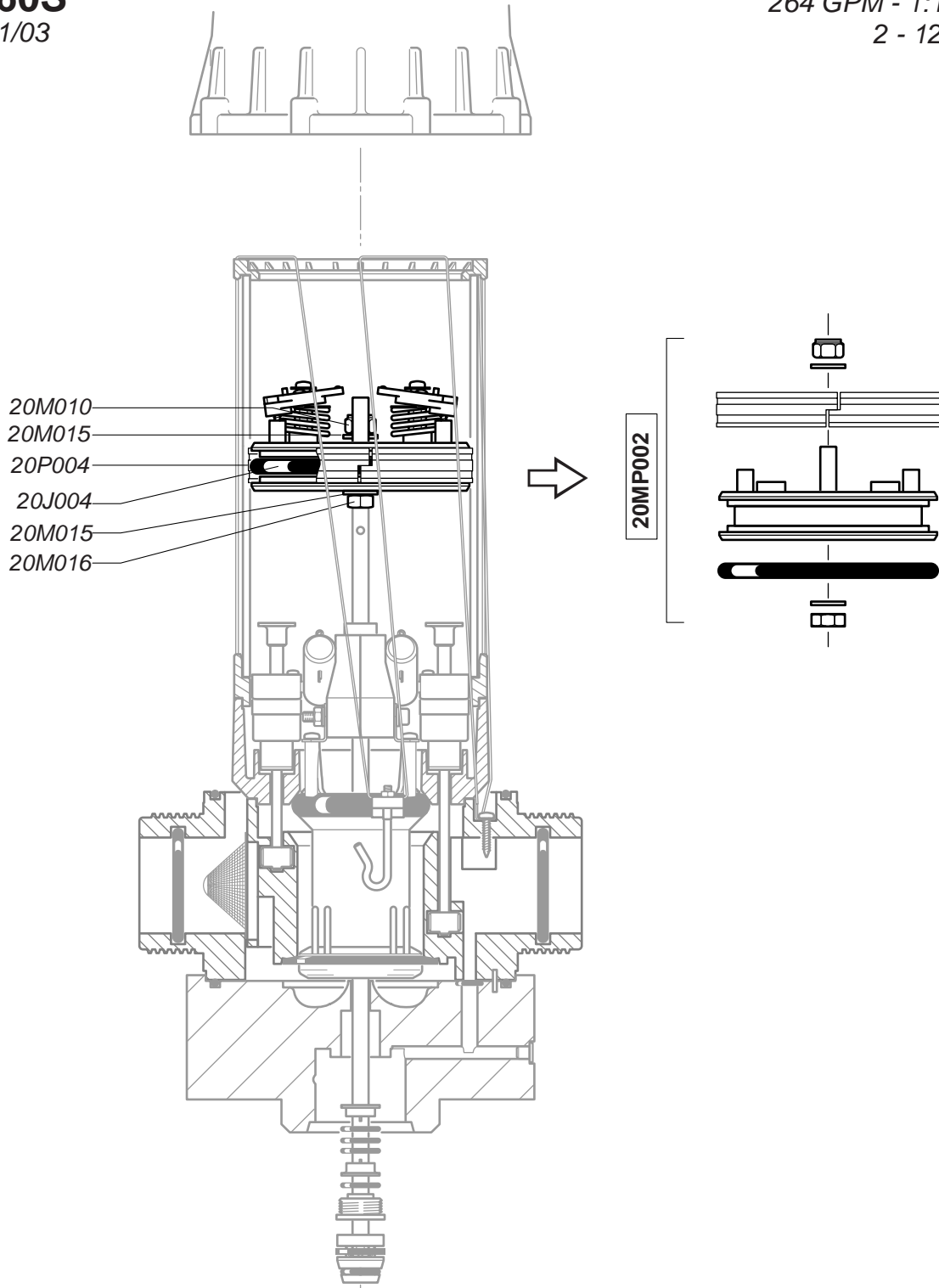
264GPM - 1:1000 - 1:154

2 - 120 psi



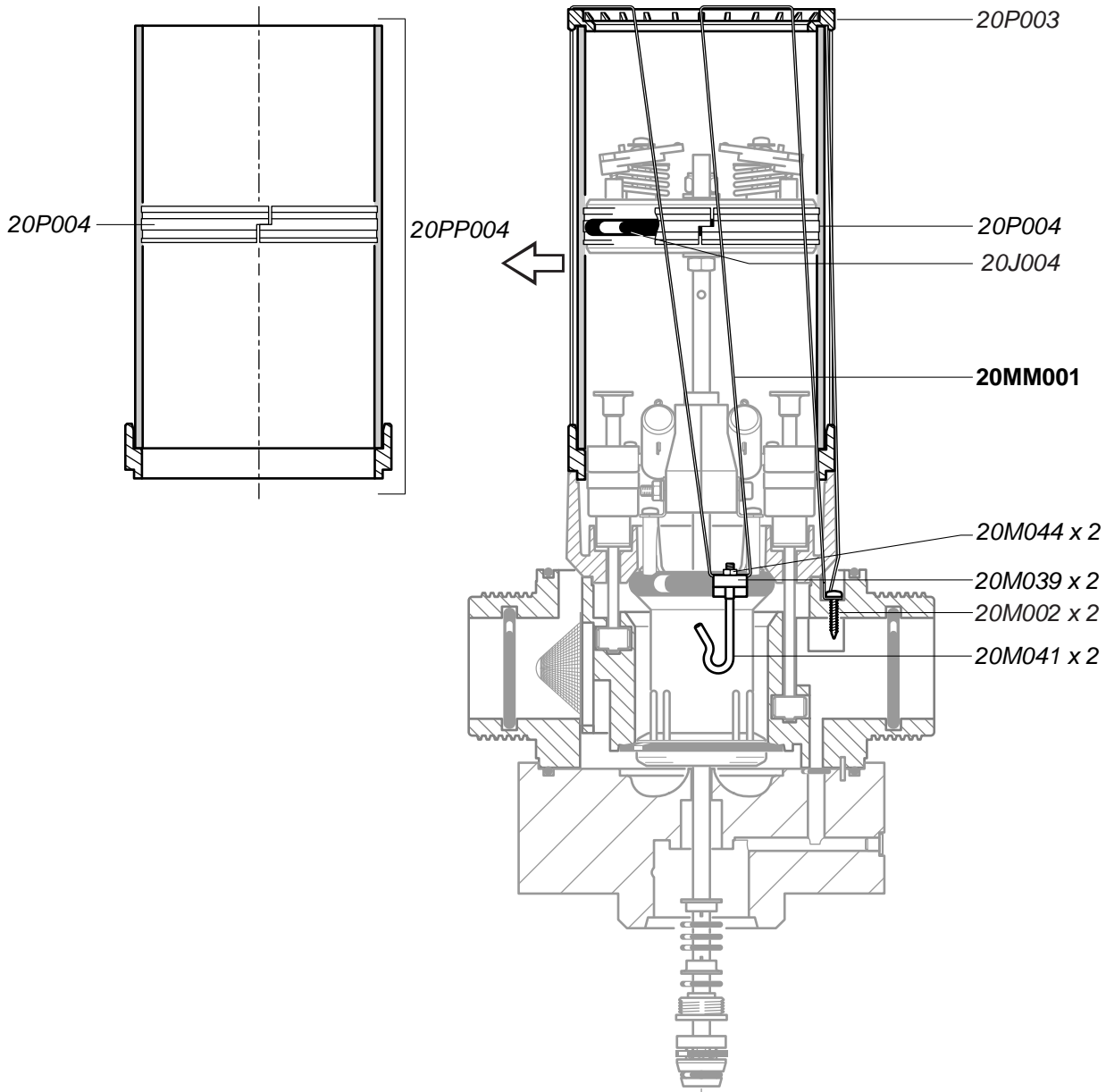
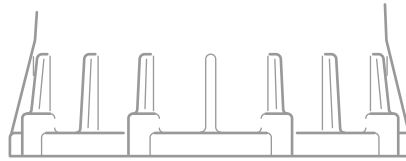
D60S
11/03

264 GPM - 1:1000 - 1:154
2 - 120 psi



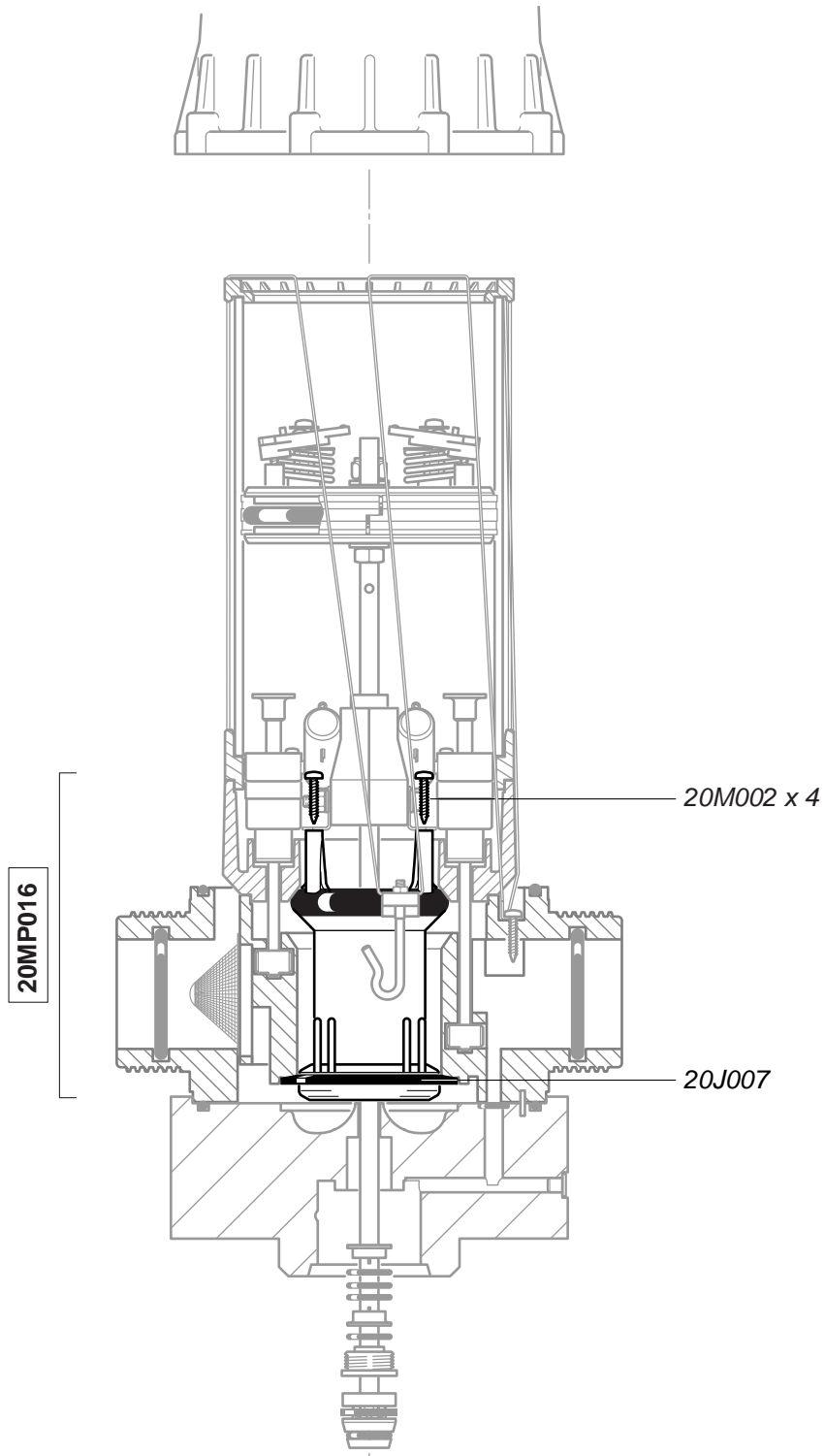
D60S
11/03

264 GPM - 1:1000 - 1:154
2 - 120 psi



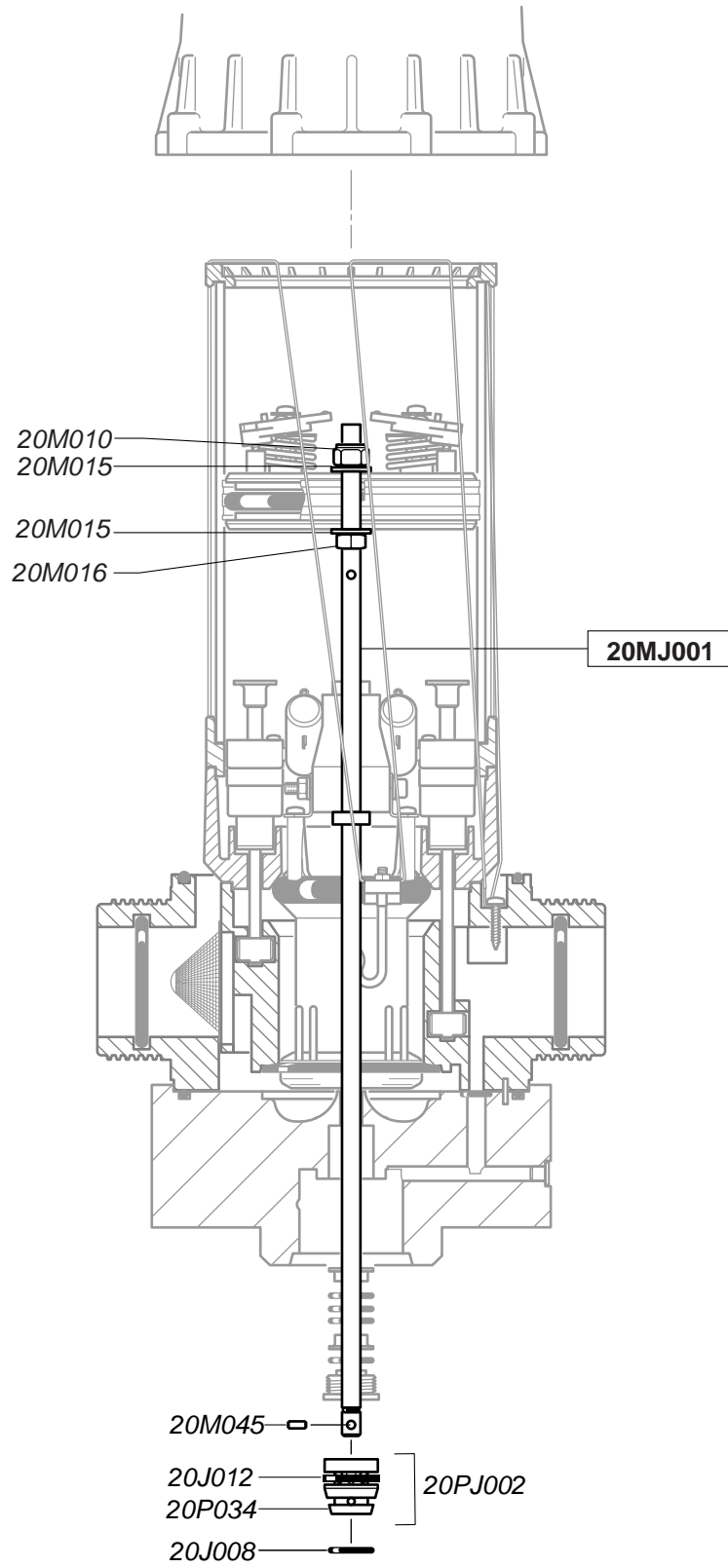
D60S
11/03

264 GPM - 1:1000 - 1:154
2 - 120 psi



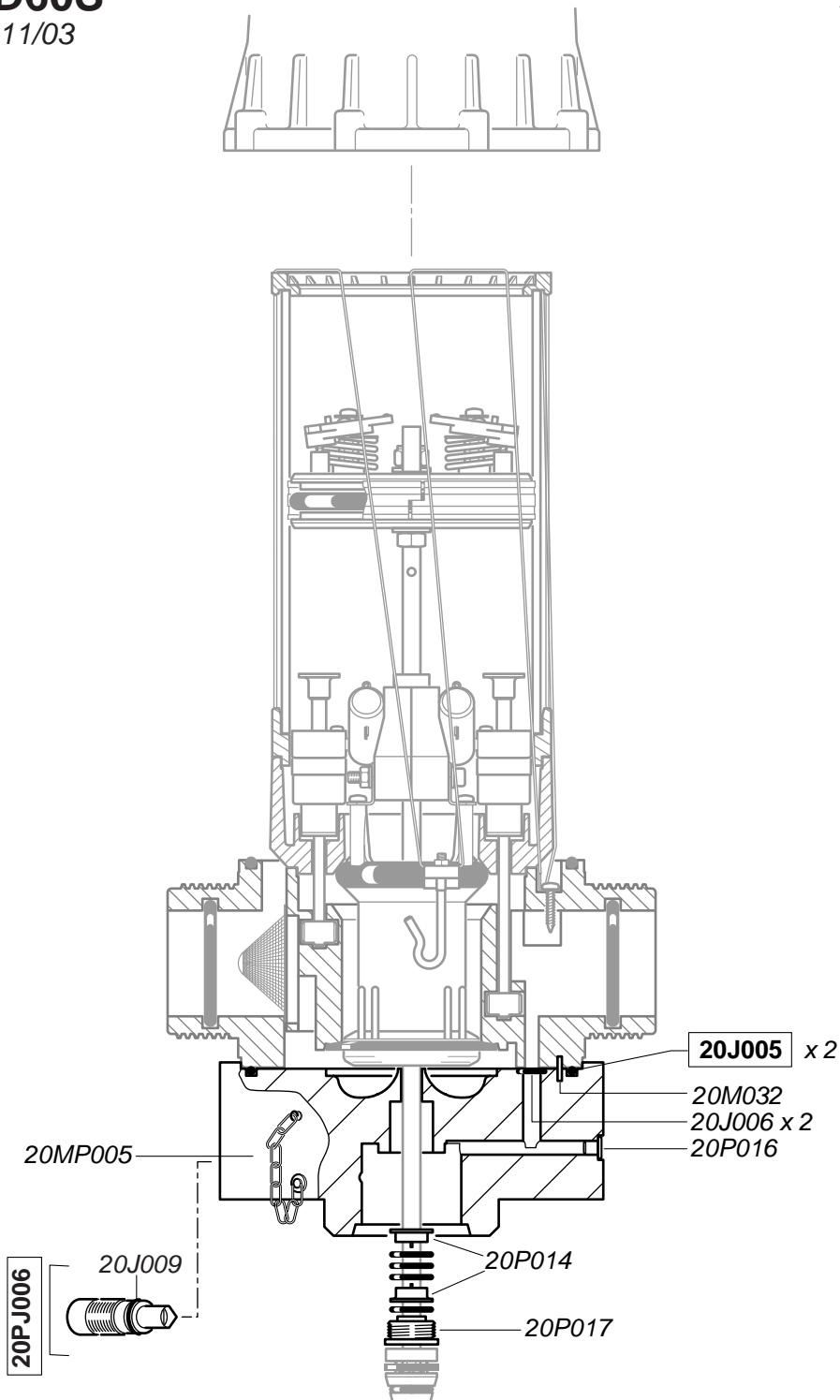
D60S
11/03

264 GPM - 1:1000 - 1:154
2 - 120 psi



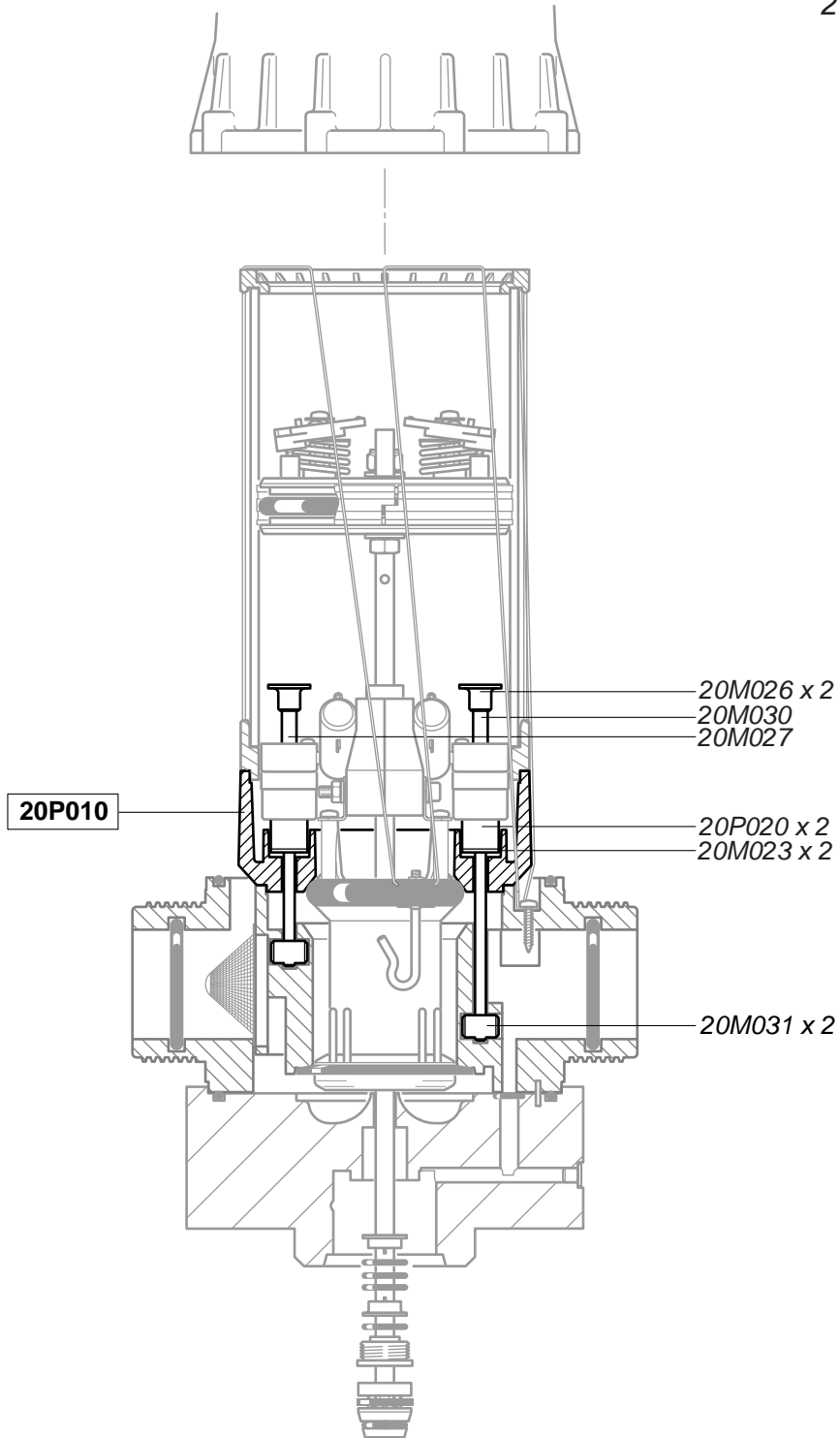
D60S
11/03

264 GPM - 1:1000 - 1:154
2 - 120 psi



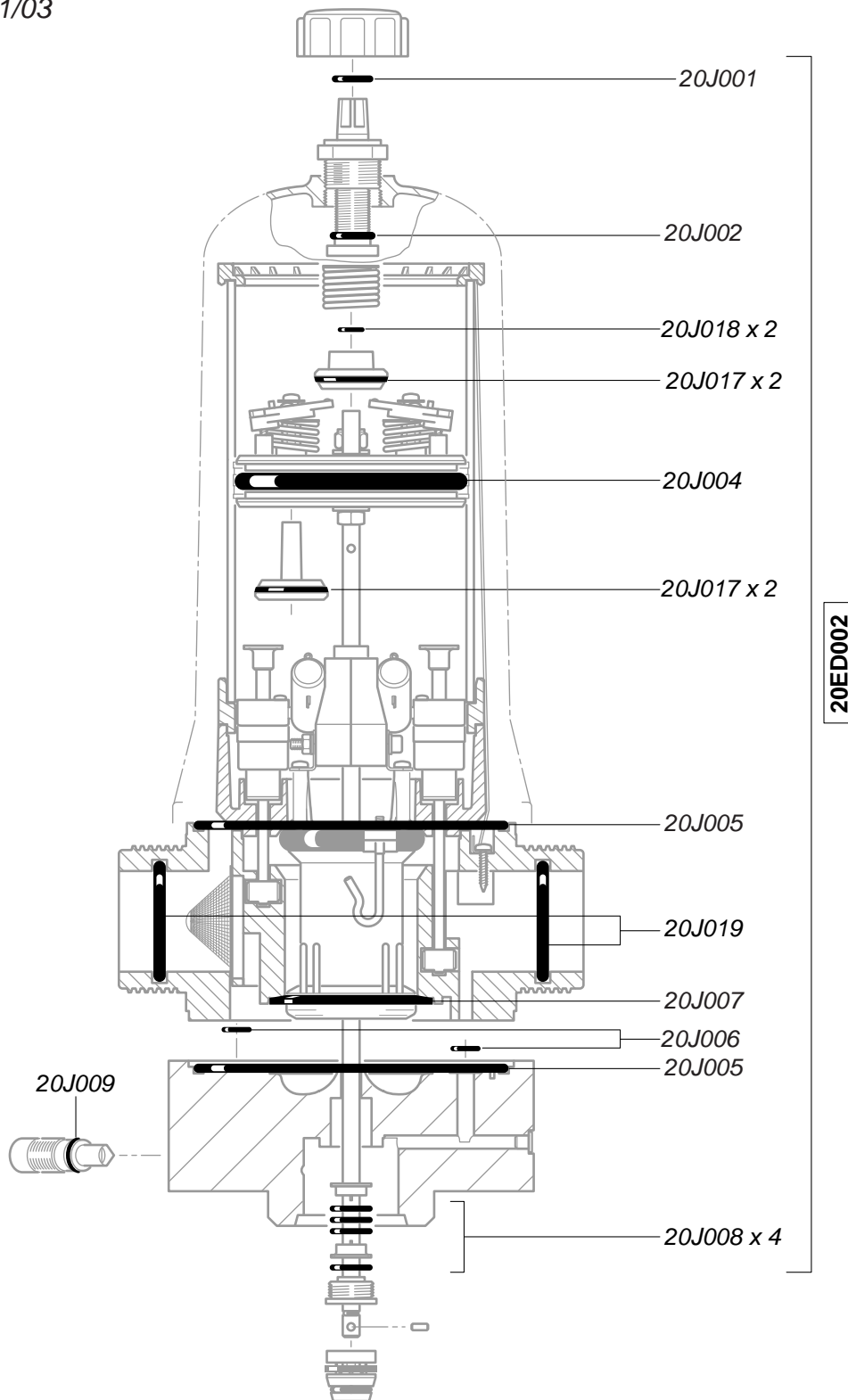
D60S
11/03

264 GPM - 1:1000 - 1:154
2 - 120 psi



D60S
11/03

264 GPM - 1:1000 - 1:154
2 - 120 psi



D60S
11/03

264 GPM - 1:1000 - 1:154
2 - 120 psi

