



DOSATRON®

WATER POWERED DOSING TECHNOLOGY

SCHEMATICS

Dosatron Liquid Dispenser **Model # D30S – 132 GPM**

1:400 – 1:80
2.2 – 116 PSI

Suggested Installation:

200 mesh/80 micron water filter prior to unit

One-way check valve downstream from unit for water hammer protection

Suggested Maintenance Interval:

Replace injection seals every 12 months

DOSATRON SALES & SERVICE - NORTH & CENTRAL AMERICA

Dosatron International, Inc.

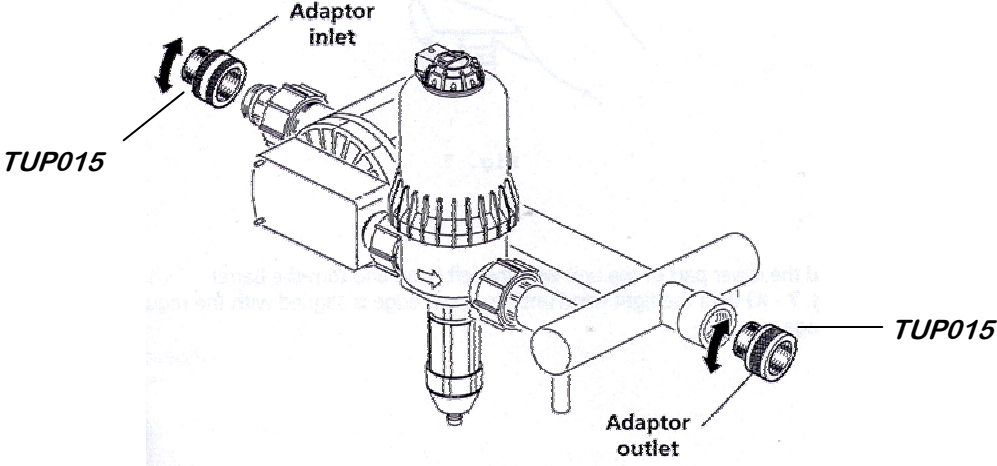
Phone: 727-443-5404 Service: (800) 523-8499

Fax: 727-447-0591

www.dosatronUSA.com

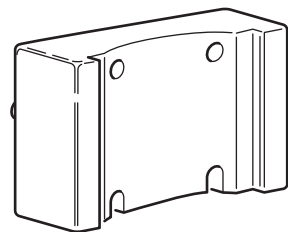
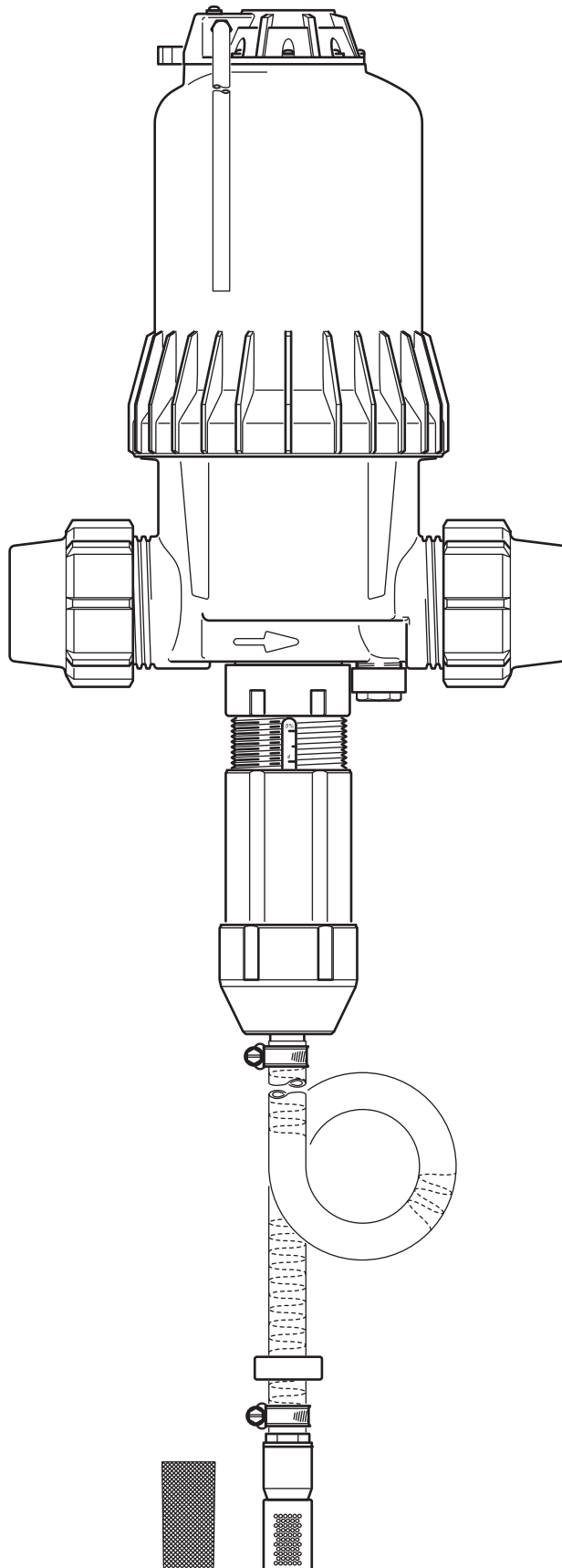
D30S
11/03

132 GPM - 1:400 - 1:80
2.2 - 116 psi



D30S
11/03

132 GPM - 1:400 - 1:80
2.2 - 116 psi

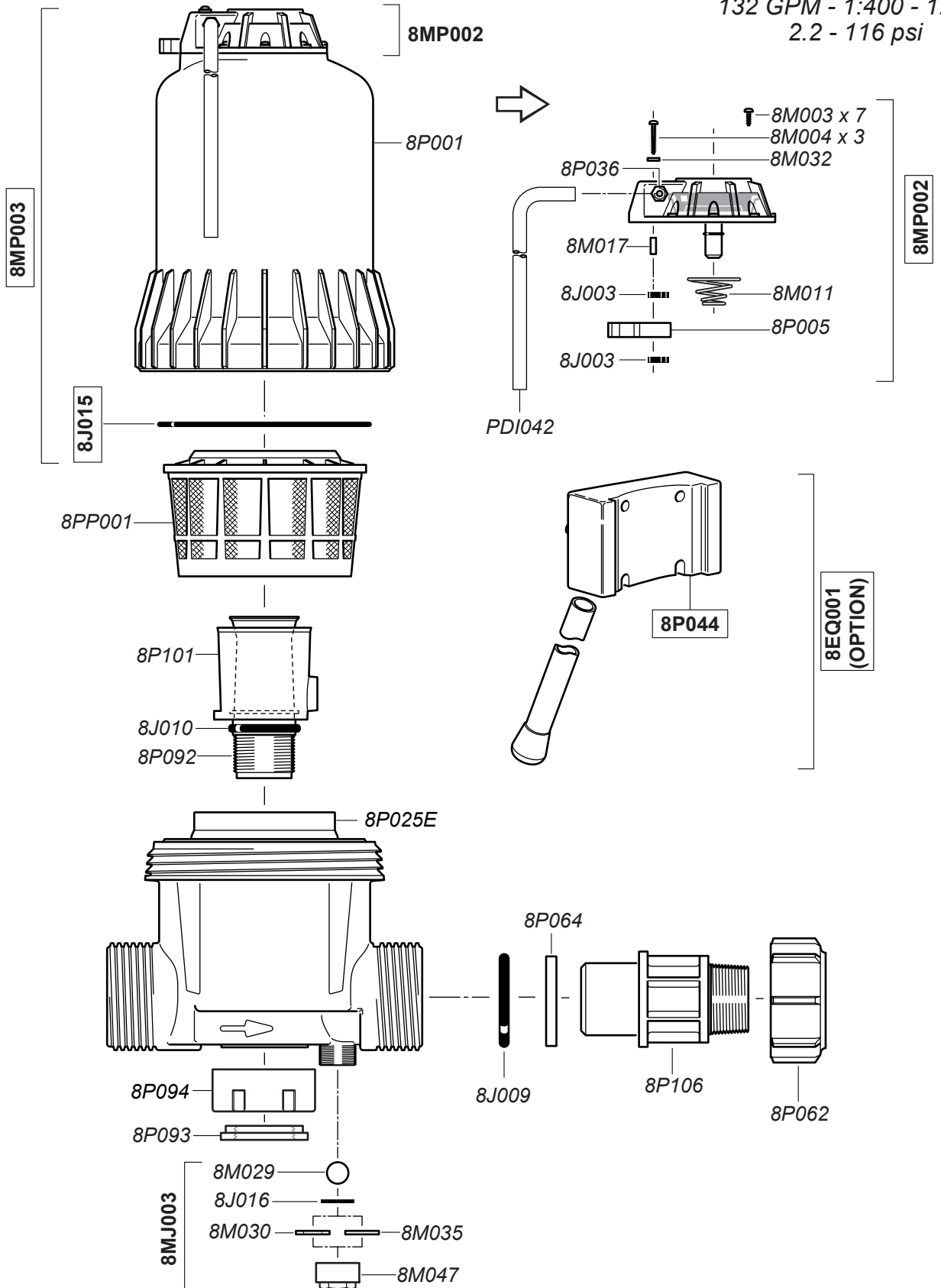


8PJ057 Injection Seal Kit

8EM001 Motor Seal Kit

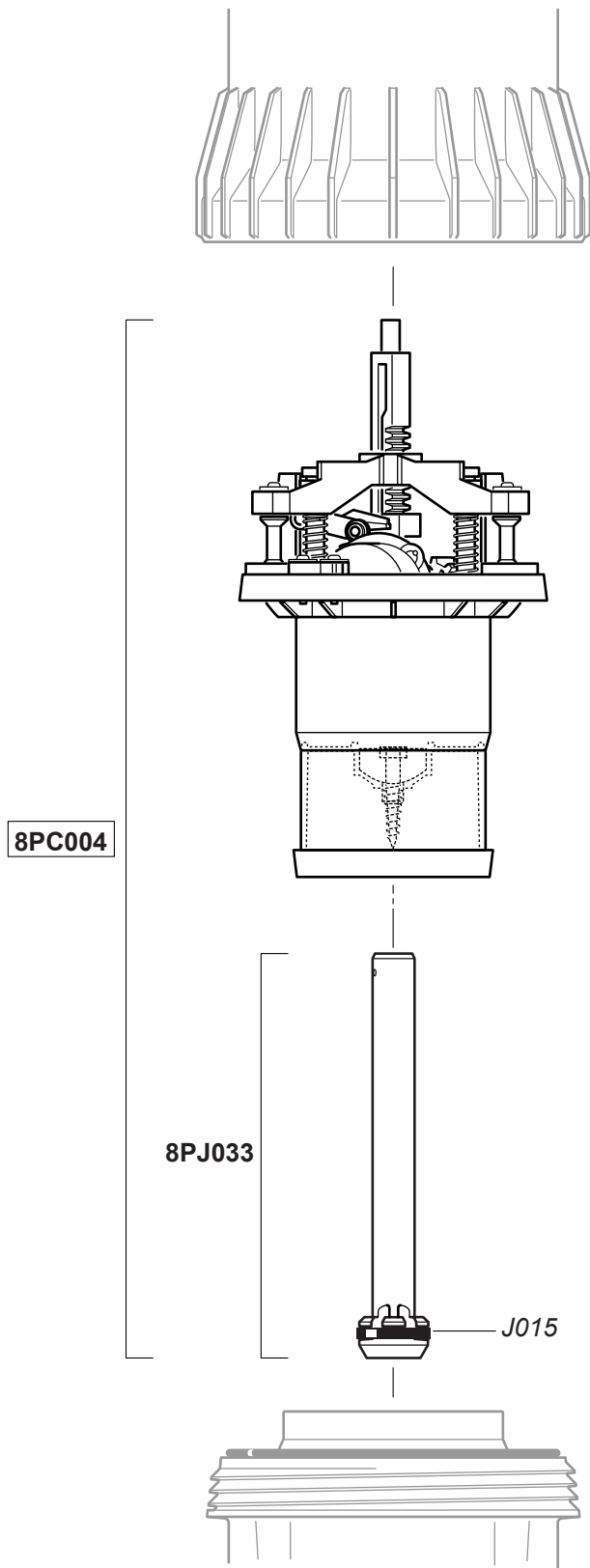
D30S
11/03

132 GPM - 1:400 - 1:80
2.2 - 116 psi



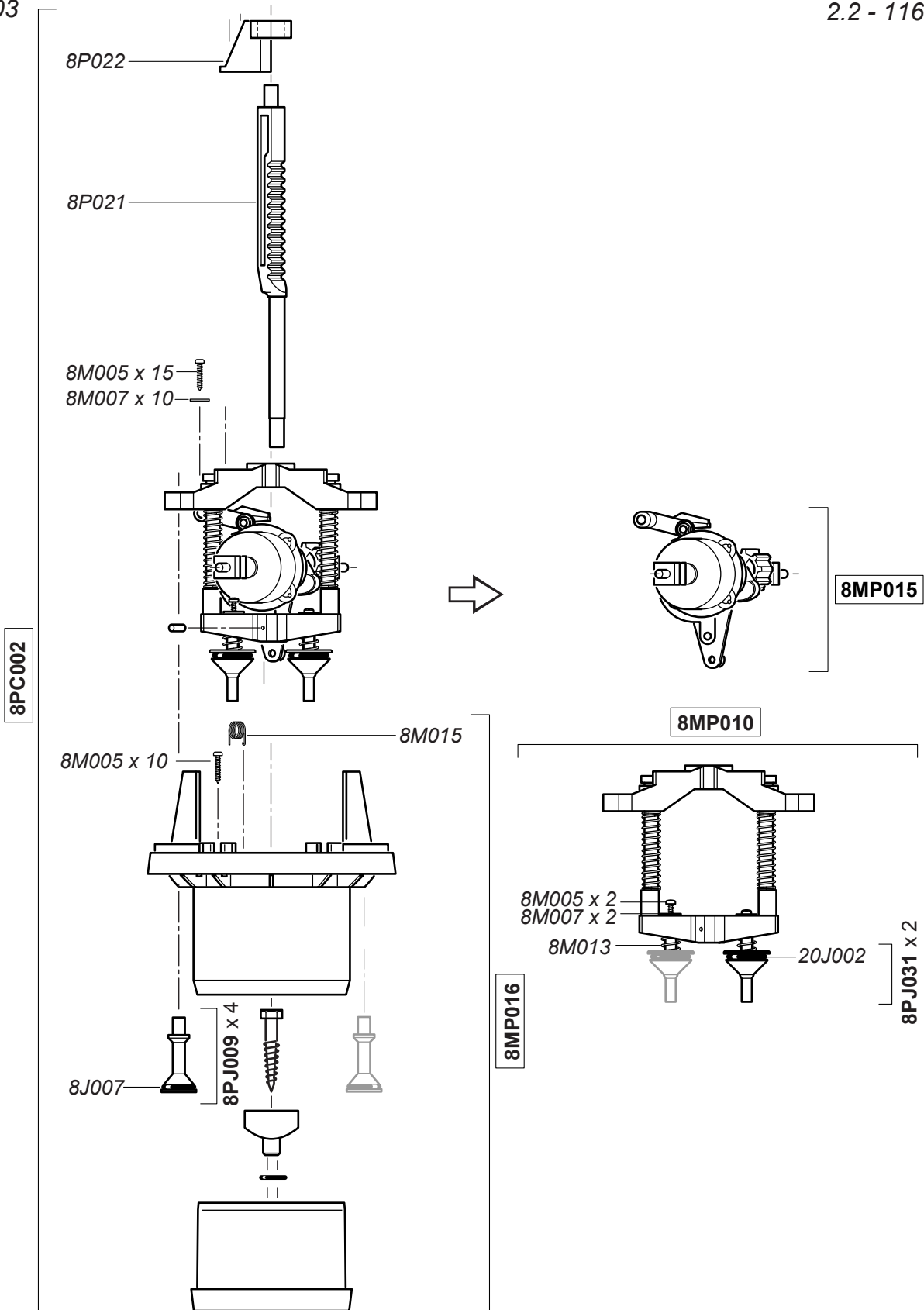
D30S
11/03

132 GPM - 1:400 - 1:80
2.2 - 116 psi



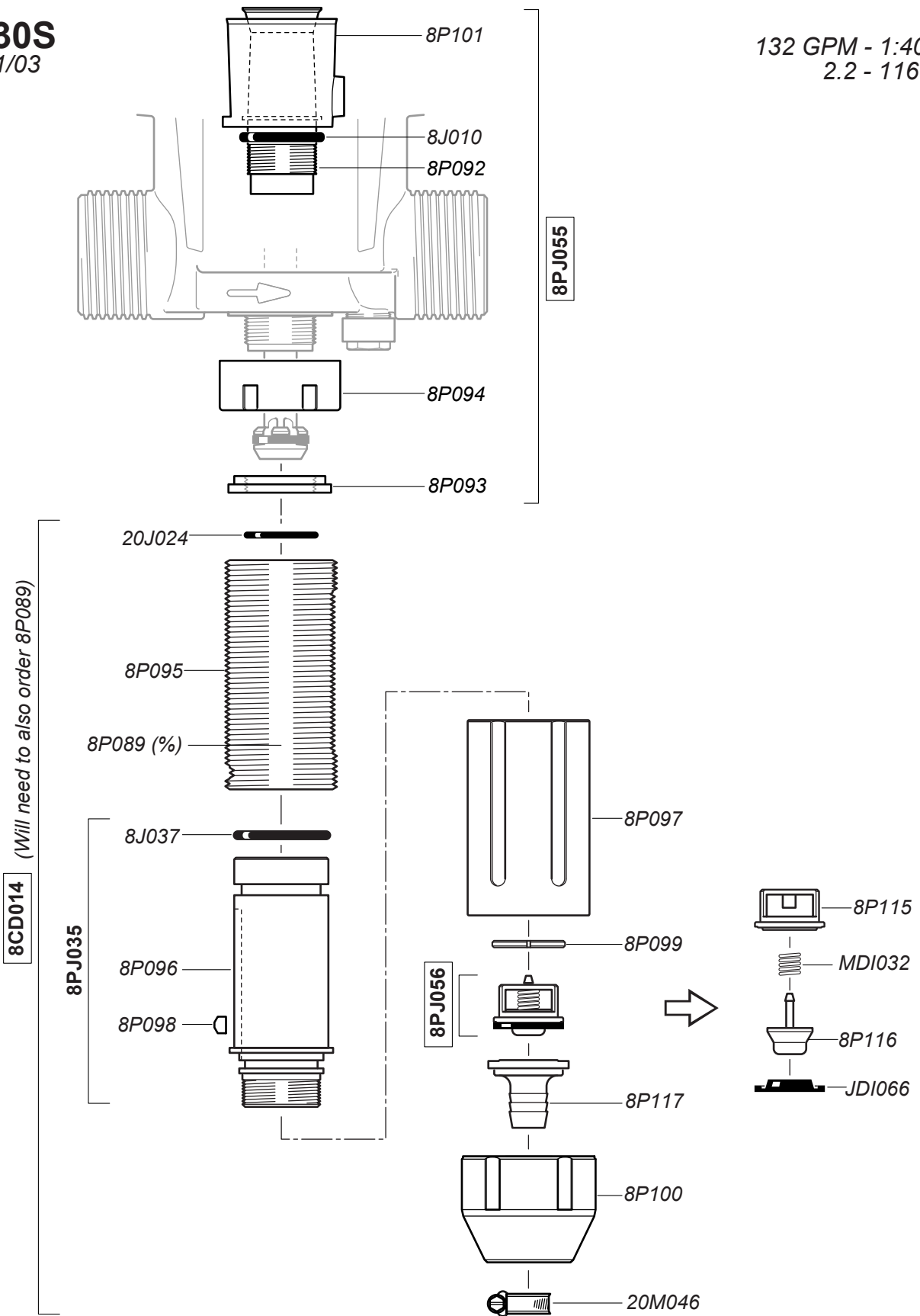
D30S
11/03

132 GPM - 1:400 - 1:80
2.2 - 116 psi



D30S
11/03

132 GPM - 1:400 - 1:80
2.2 - 116 psi



D30S
11/03

132 GPM - 1:400 - 1:80
2.2 - 116 psi

