



**DOSATRON®**

WATER POWERED DOSING TECHNOLOGY

---

# SCHEMATICS

Dosatron Liquid Dispenser  
**Model # D14MZ520 - 9 GPM**

1:20 - 1:5

7-57 PSI

$\frac{3}{4}$ " NPT Connection

**Suggested Installation:**

200 mesh/80 micron water filter prior to unit

One-way check valve downstream from unit for water hammer protection

**Suggested Maintenance Interval:**

Replace injection seals every 12 months

---

**DOSATRON SALES & SERVICE - NORTH & CENTRAL AMERICA**

Dosatron International, Inc.

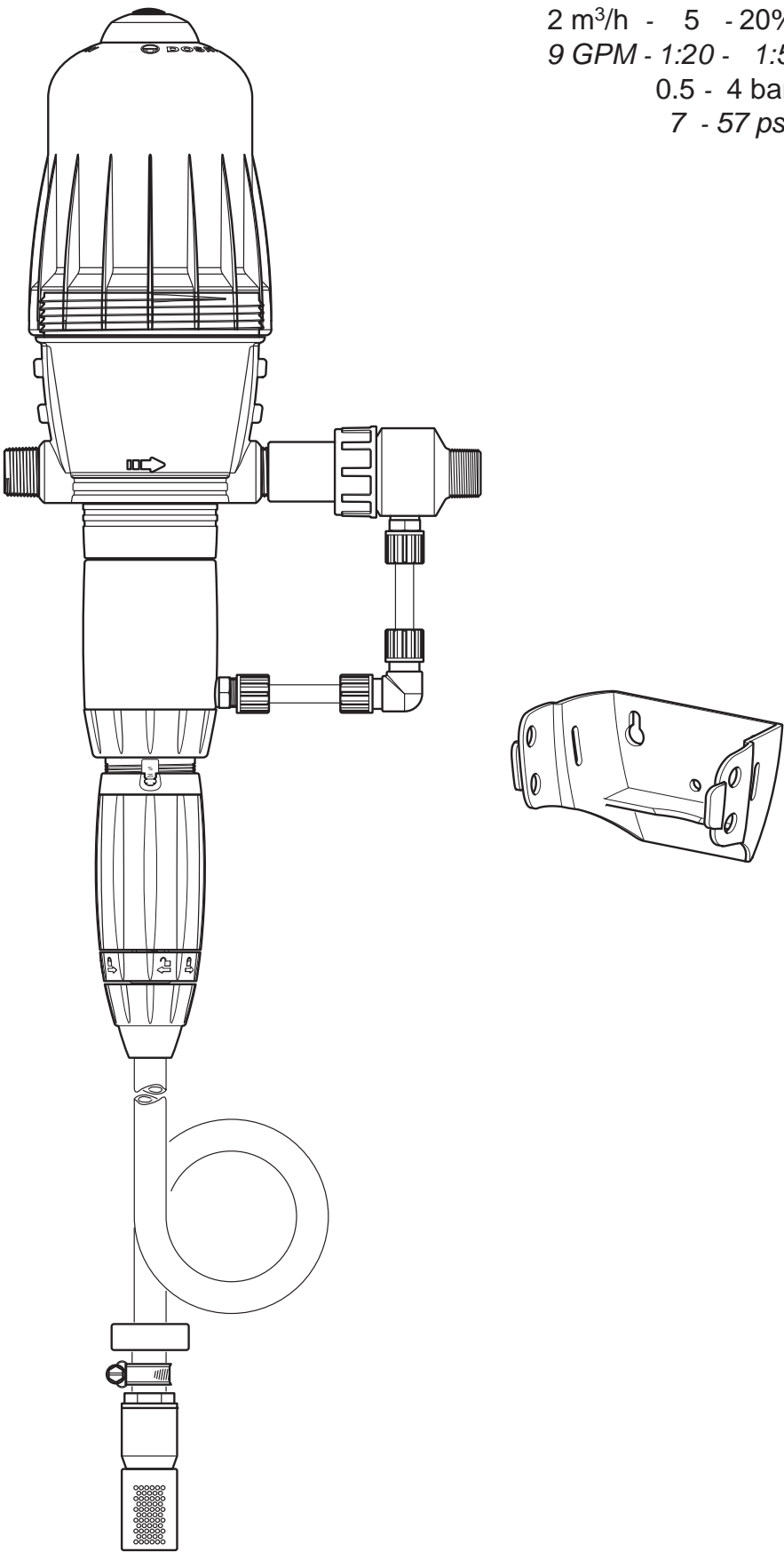
Phone: 727-443-5404 Service: (800) 523-8499

Fax: 727-447-0591

[www.dosatronUSA.com](http://www.dosatronUSA.com)

# D14MZ520

2 m<sup>3</sup>/h - 5 - 20%  
9 GPM - 1:20 - 1:5  
0.5 - 4 bar  
7 - 57 psi

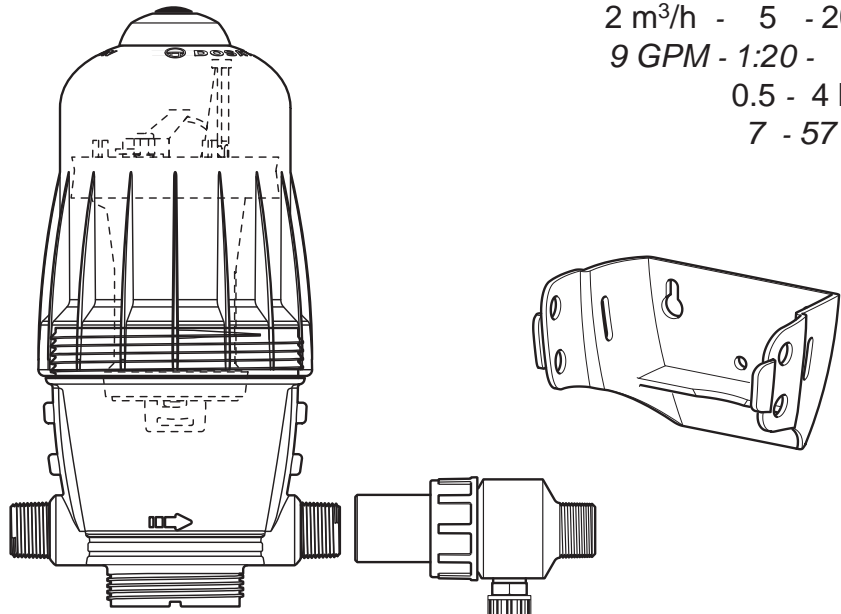


© DOSATRON INTERNATIONAL S.A.S. 2009  
D14MZ520/0809/D1

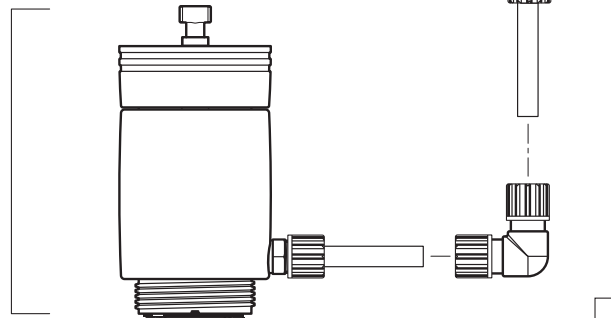
# D14MZ520

2 m<sup>3</sup>/h - 5 - 20%  
9 GPM - 1:20 - 1:5  
0.5 - 4 bar  
7 - 57 psi

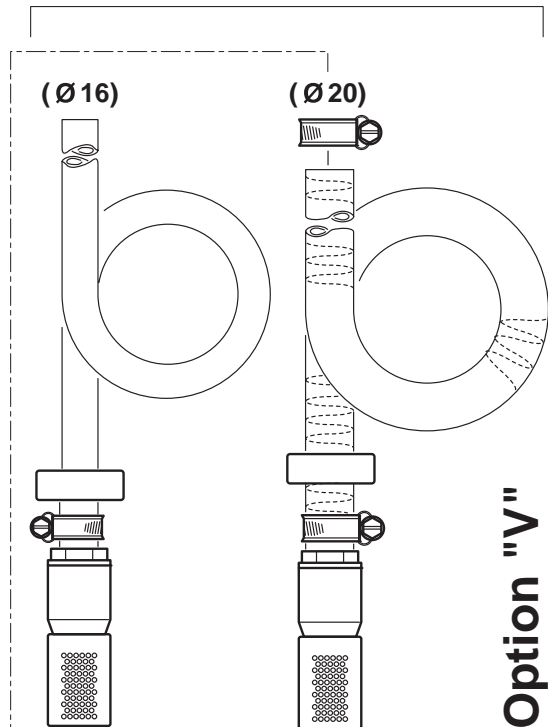
**C+M**



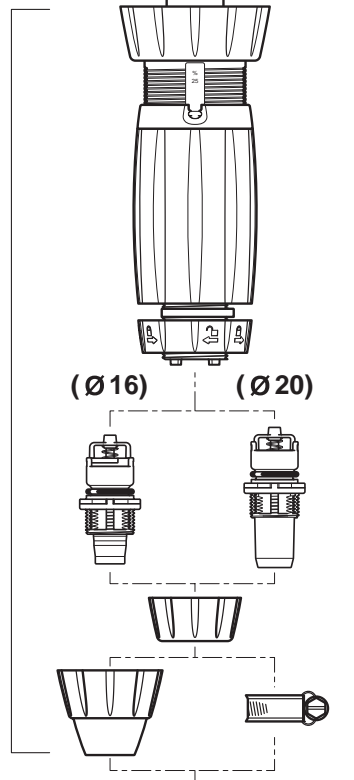
**P+IE**



**A**



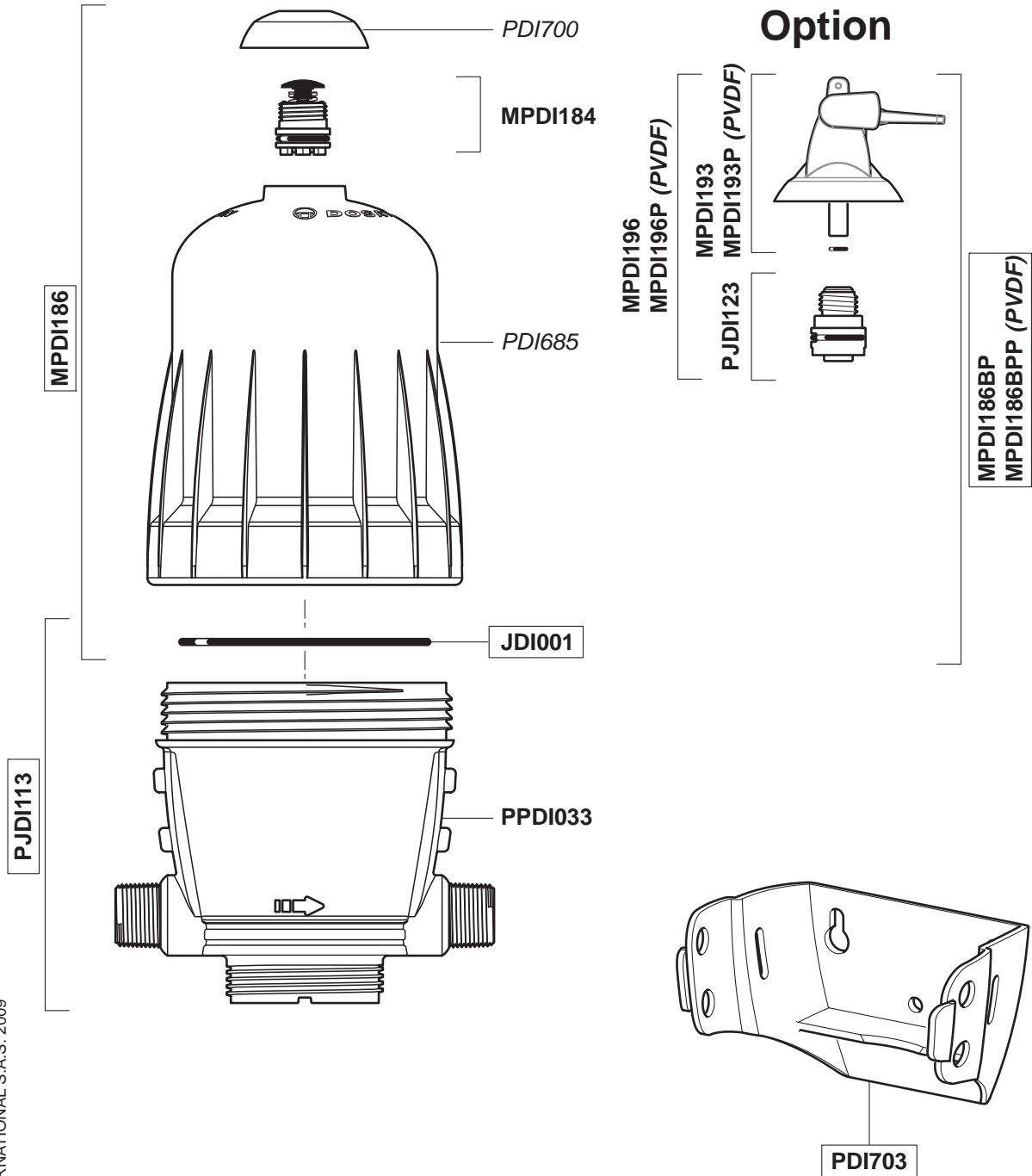
**D**



**Option "V"**

# D14MZ520

2 m<sup>3</sup>/h - 5 - 20%  
 9 GPM - 1:20 - 1:5  
 0.5 - 4 bar  
 7 - 57 psi

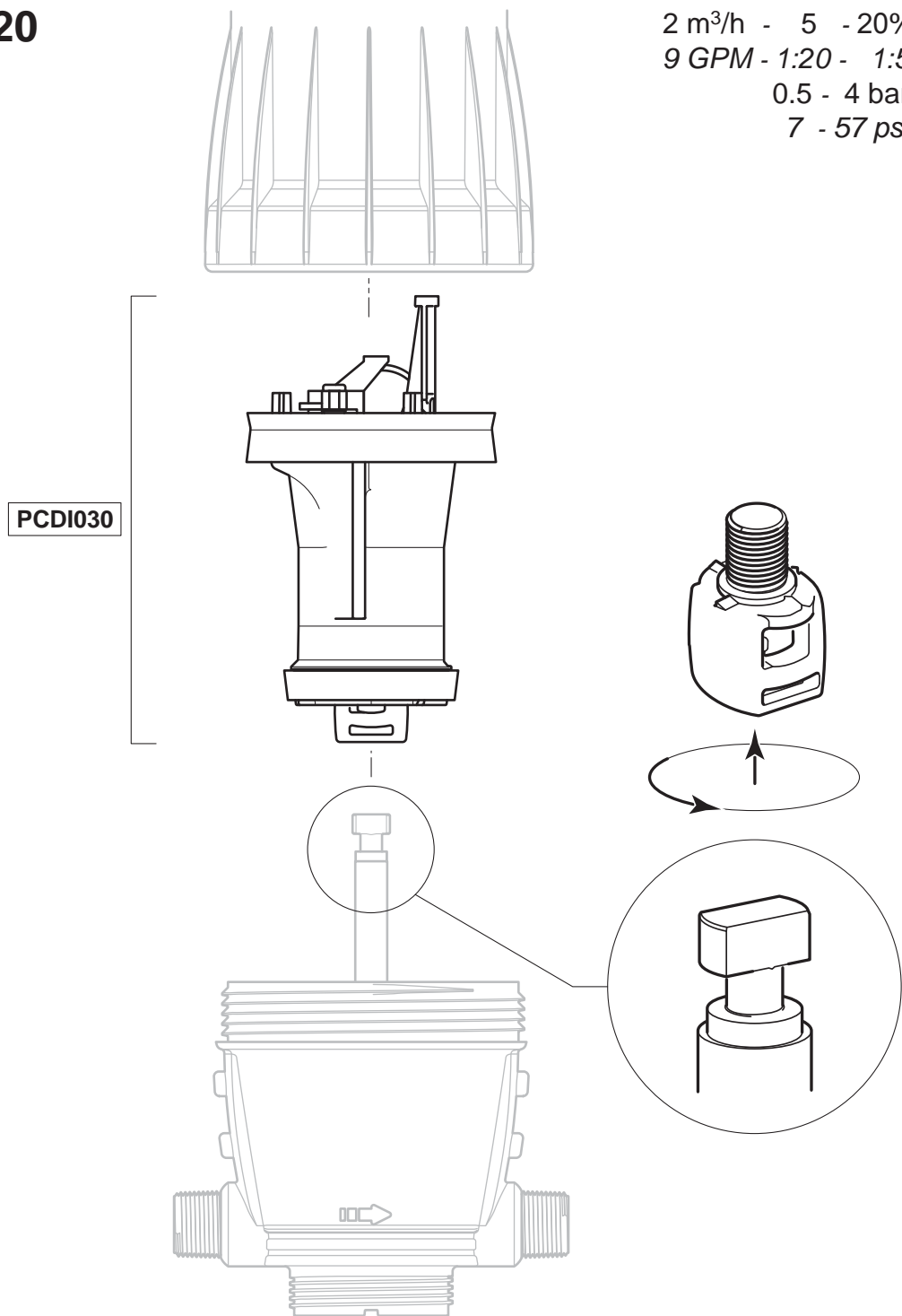


© DOSATRON INTERNATIONAL S.A.S. 2009  
 D14MZ520/0809/D3



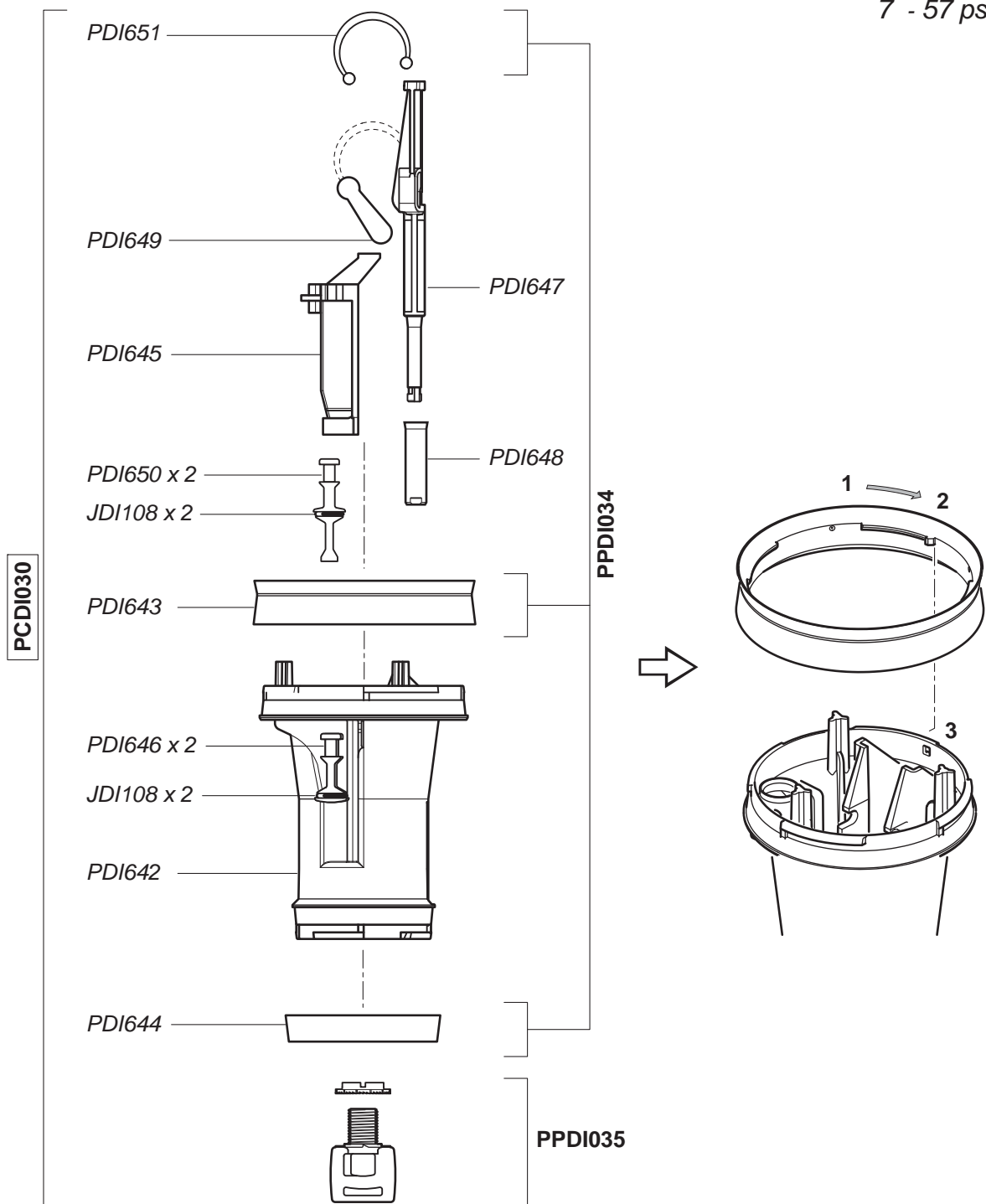
# D14MZ520

2 m<sup>3</sup>/h - 5 - 20%  
9 GPM - 1:20 - 1:5  
0.5 - 4 bar  
7 - 57 psi



# D14MZ520

2 m<sup>3</sup>/h - 5 - 20%  
 9 GPM - 1:20 - 1:5  
 0.5 - 4 bar  
 7 - 57 psi

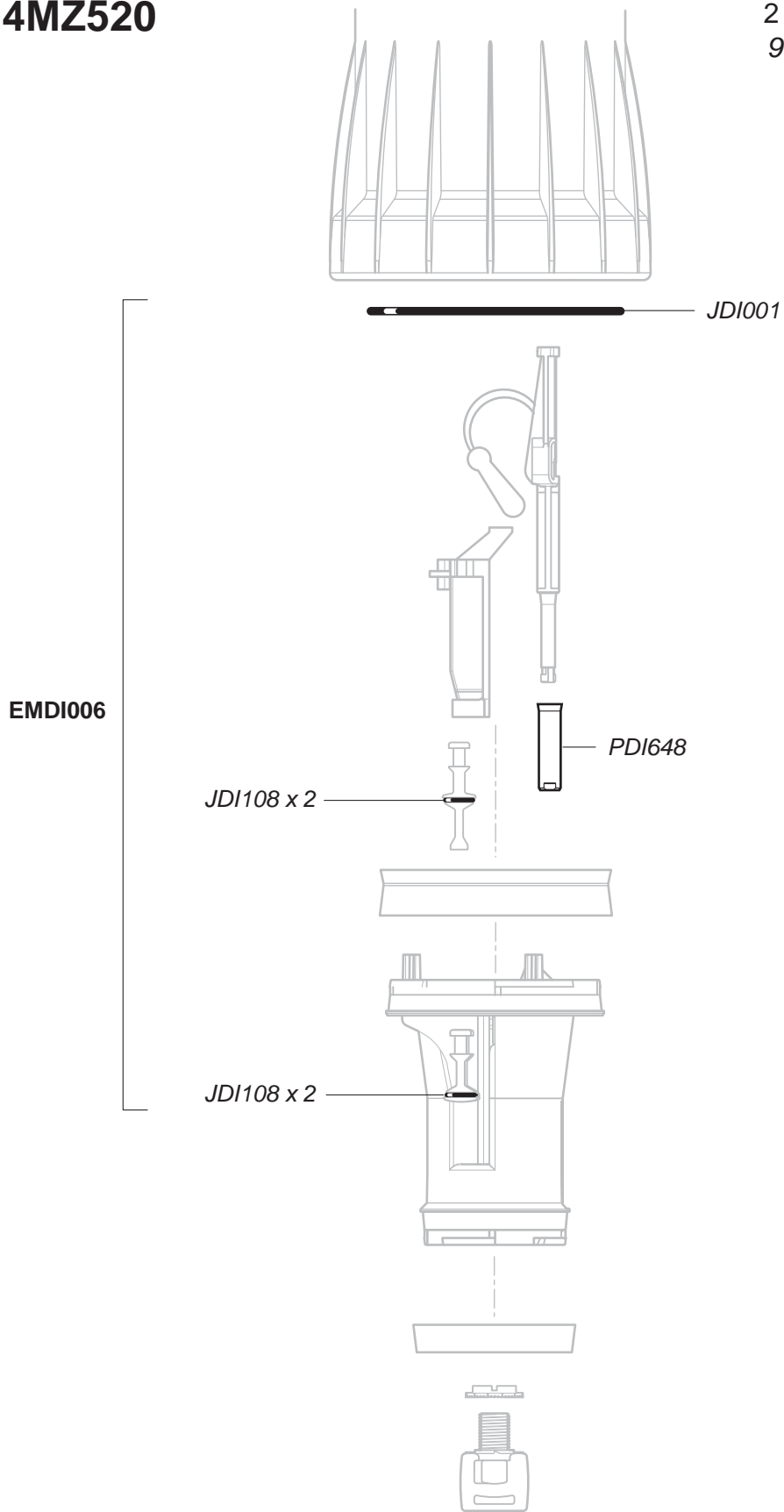


© DOSATRON INTERNATIONAL S.A.S. 2009  
 D14MZ520/0809/DS



# D14MZ520

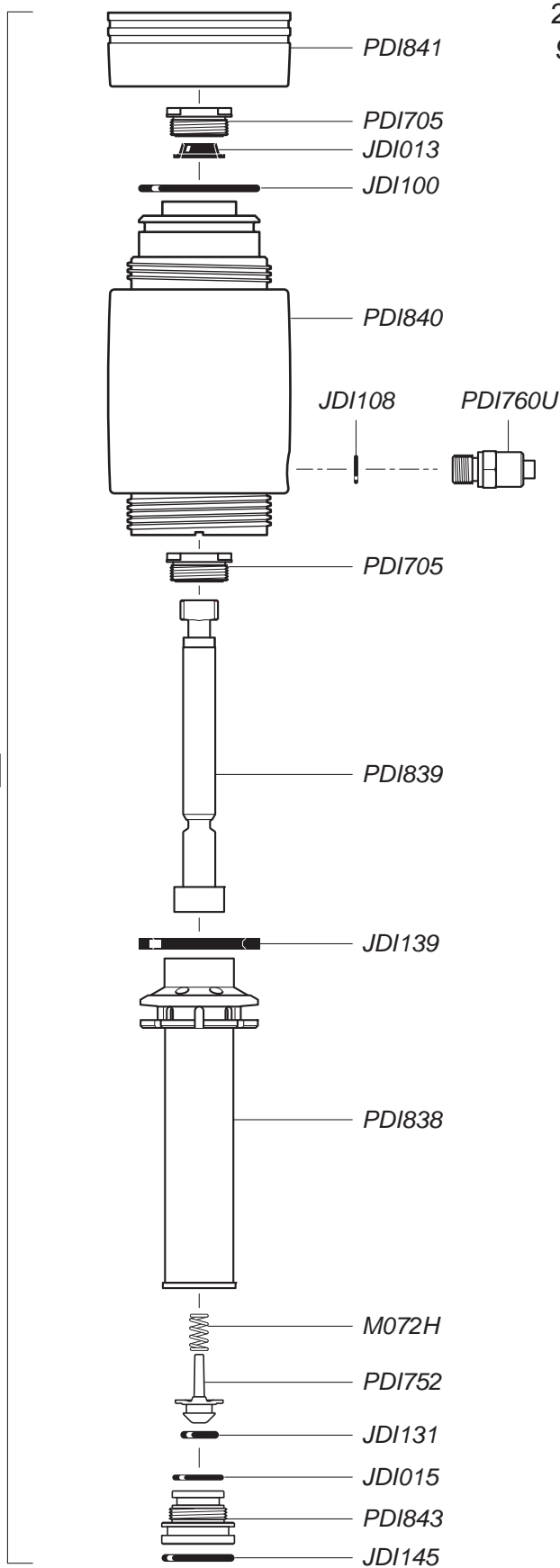
2 m<sup>3</sup>/h - 5 - 20%  
9 GPM - 1:20 - 1:5  
0.5 - 4 bar  
7 - 57 psi



# D14MZ520

2 m<sup>3</sup>/h - 5 - 20%  
 9 GPM - 1:20 - 1:5  
 0.5 - 4 bar  
 7 - 57 psi

**PJDI133**

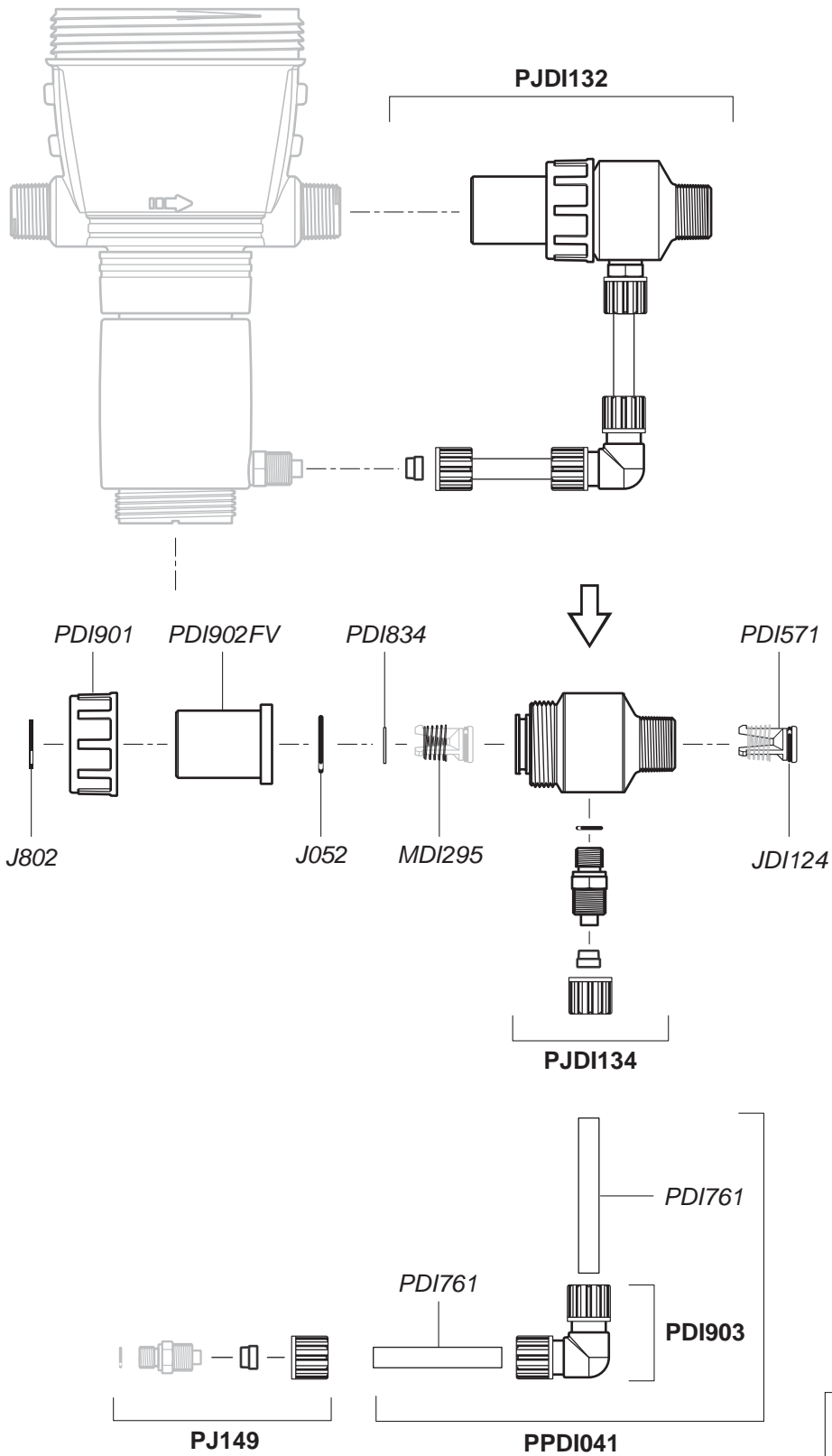


© DOSATRON INTERNATIONAL S.A.S. 2009  
 D14MZ520/0809/D7



# D14MZ520

2 m<sup>3</sup>/h - 5 - 20%  
 9 GPM - 1:20 - 1:5  
 0.5 - 4 bar  
 7 - 57 psi

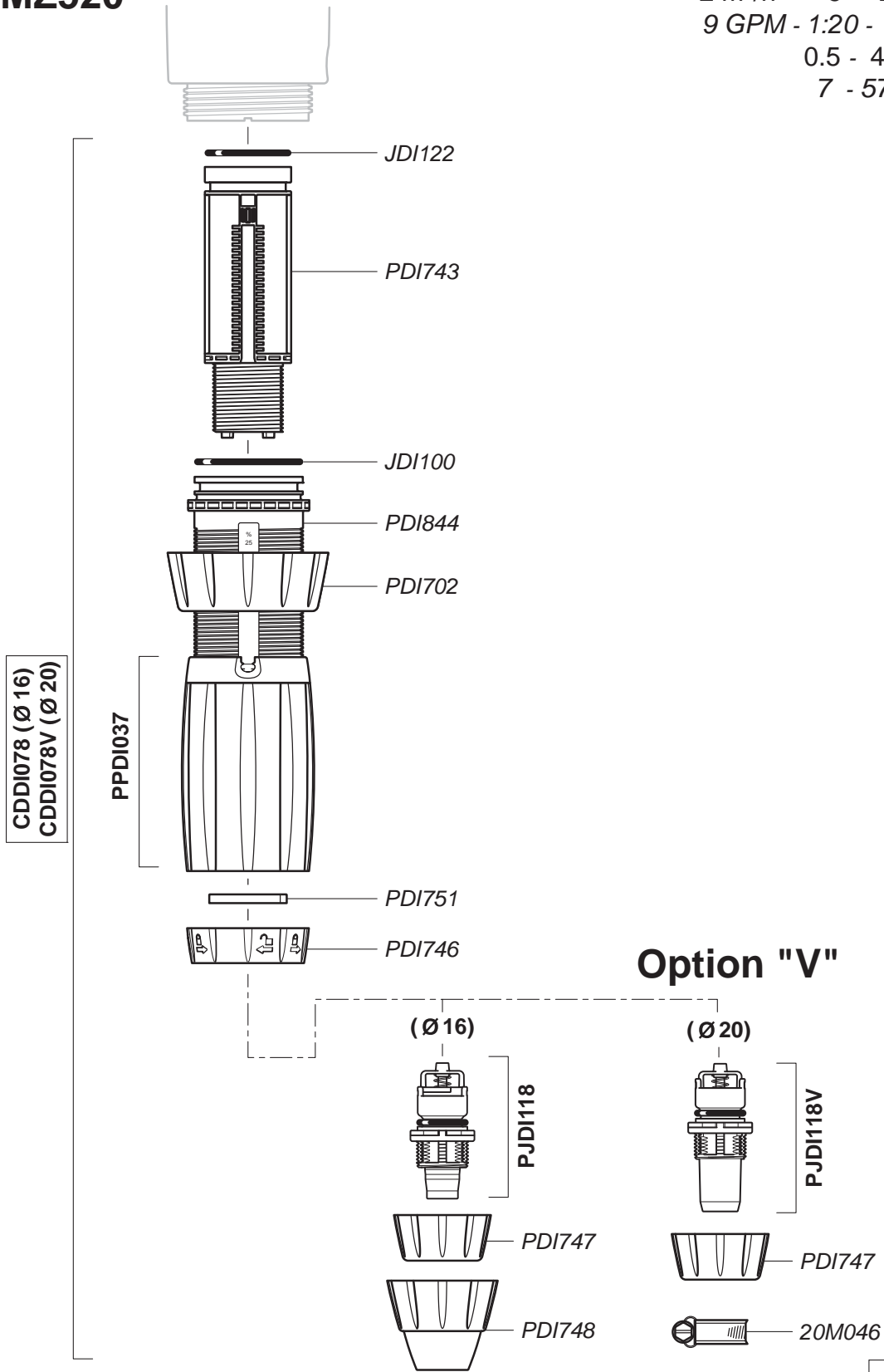


© DOSATRON INTERNATIONAL S.A.S. 2009  
 D14MZ520/0809/DB



# D14MZ520

2 m<sup>3</sup>/h - 5 - 20%  
 9 GPM - 1:20 - 1:5  
 0.5 - 4 bar  
 7 - 57 psi

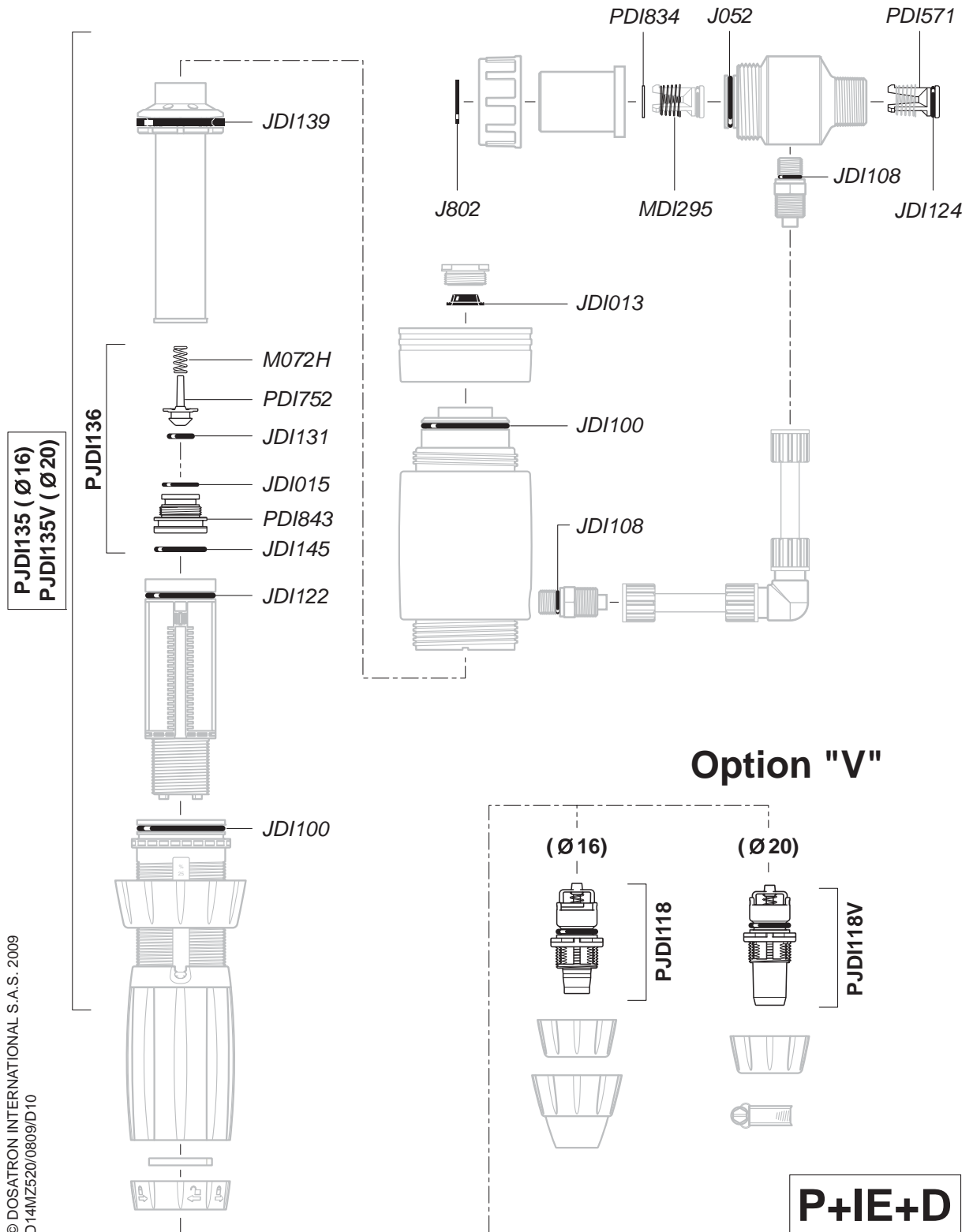


© DOSATRON INTERNATIONAL S.A.S. 2009  
 D14MZ520/0809/D9

**D**

# D14MZ520

2 m<sup>3</sup>/h - 5 - 20%  
 9 GPM - 1:20 - 1:5  
 0.5 - 4 bar  
 7 - 57 psi



© DOSATRON INTERNATIONAL S.A.S. 2009  
 D14MZ520/0809/D10

# D14MZ520

2 m<sup>3</sup>/h - 5 - 20%  
 9 GPM - 1:20 - 1:5  
 0.5 - 4 bar  
 7 - 57 psi



(Ø16)



(Ø20)

**Option "V"**

