



DOSATRON®

WATER POWERED DOSING TECHNOLOGY

SCHEMATICS

Dosatron Liquid Dispenser **Model # D8R150 – 40 GPM**

1:100 – 1:20

2 – 110 PSI

Suggested Installation:

200 mesh/80 micron water filter prior to unit

One-way check valve downstream from unit for water hammer protection

Suggested Maintenance Interval:

Replace injection seals every 12 months

DOSATRON SALES & SERVICE - NORTH & CENTRAL AMERICA

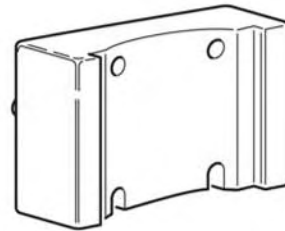
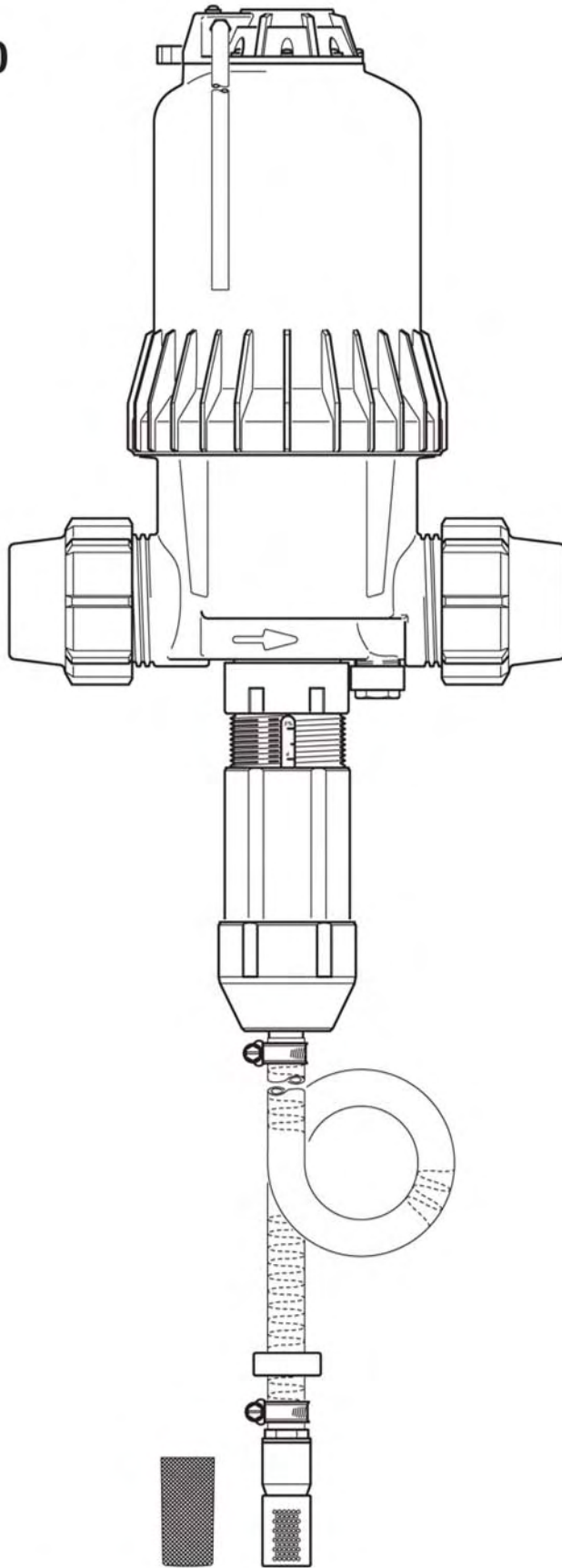
Dosatron International, Inc.

Phone: 727-443-5404 Service: (800) 523-8499

Fax: 727-447-0591

D8R150
11/03

40 GPM - 1:100 - 1:20
2.2 - 116 psi

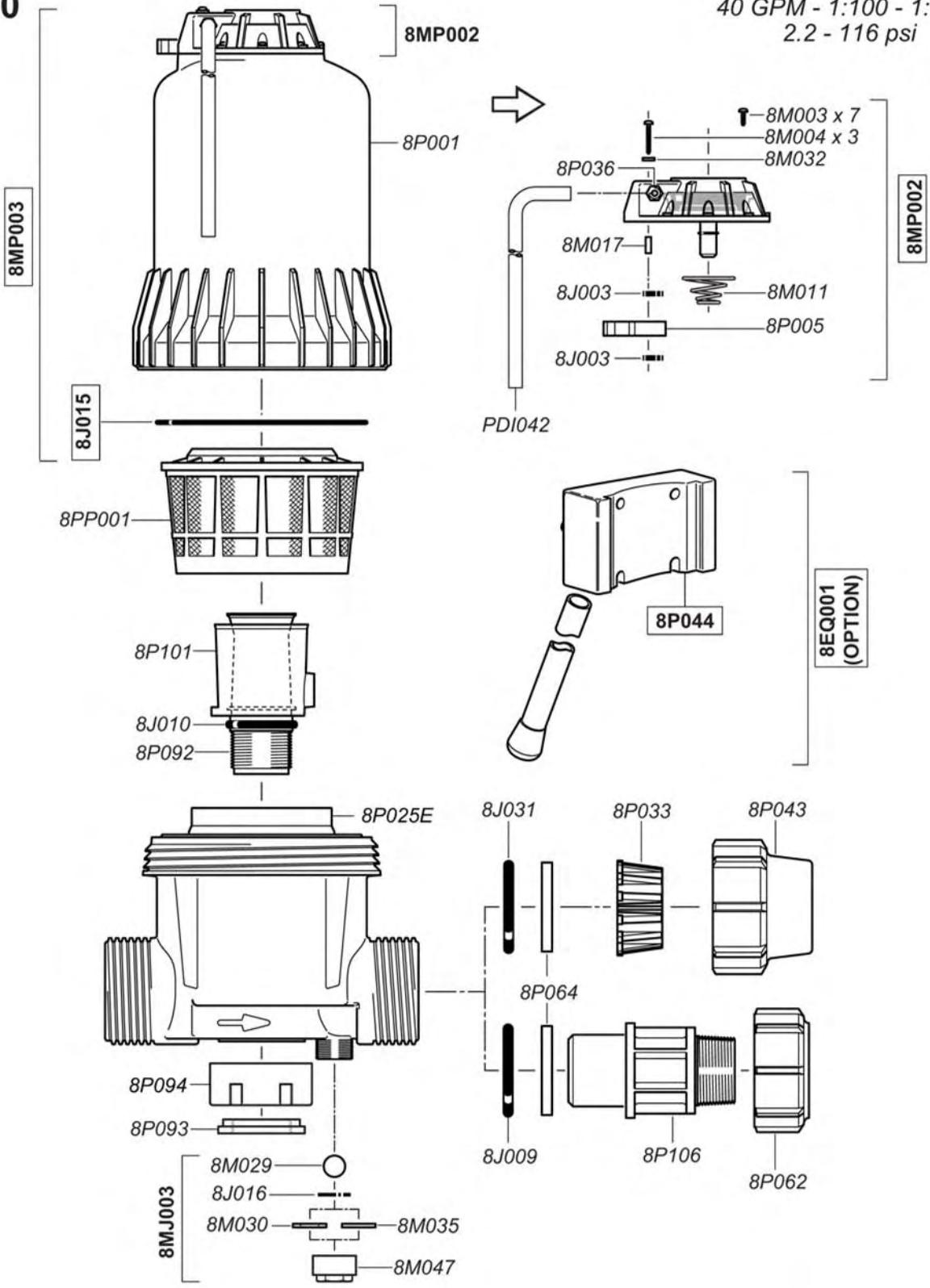


8PJ057 Injection Seal Kit

8EM001 Motor Seal Kit

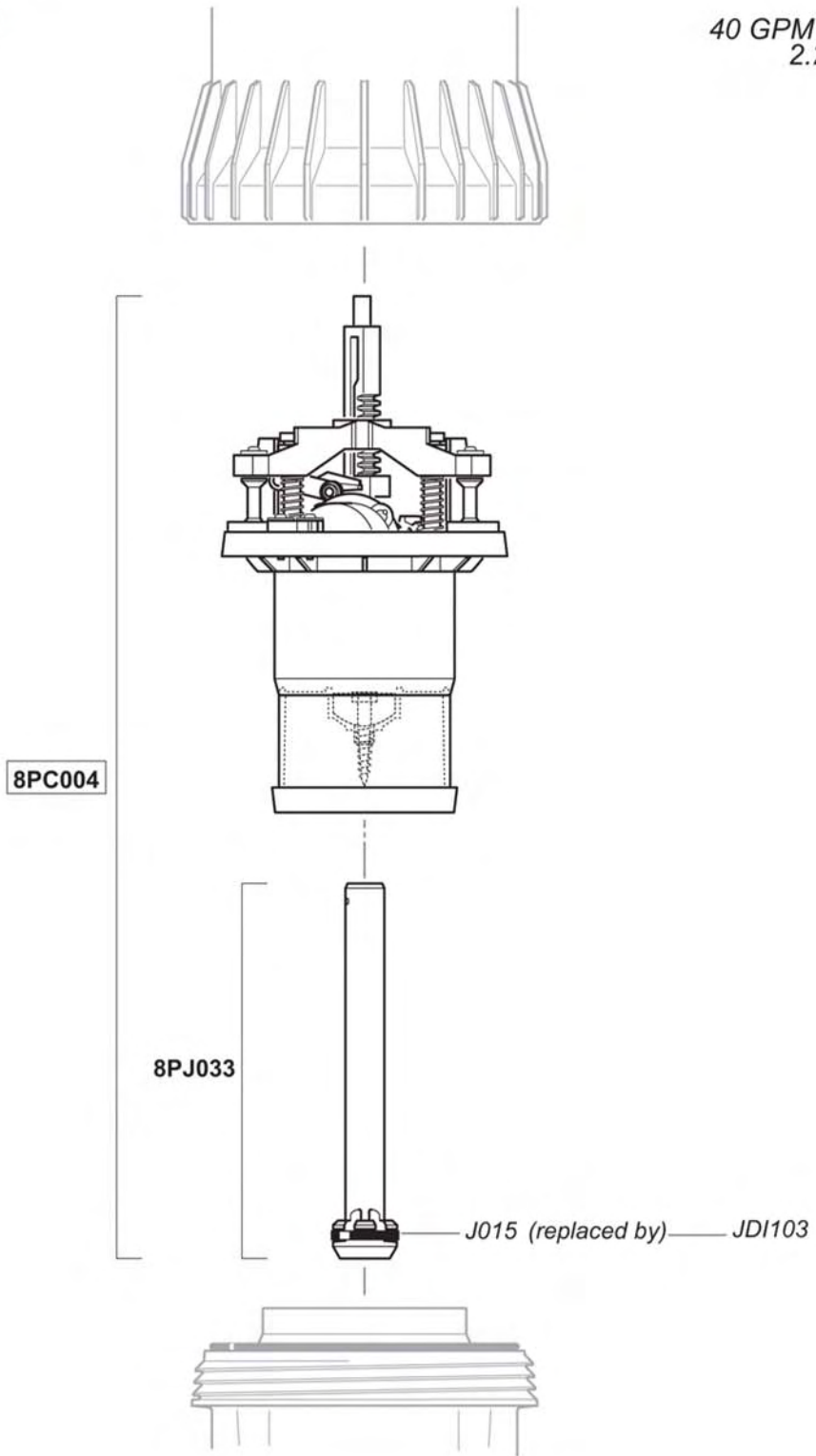
D8R150
11/03

40 GPM - 1:100 - 1:20
2.2 - 116 psi



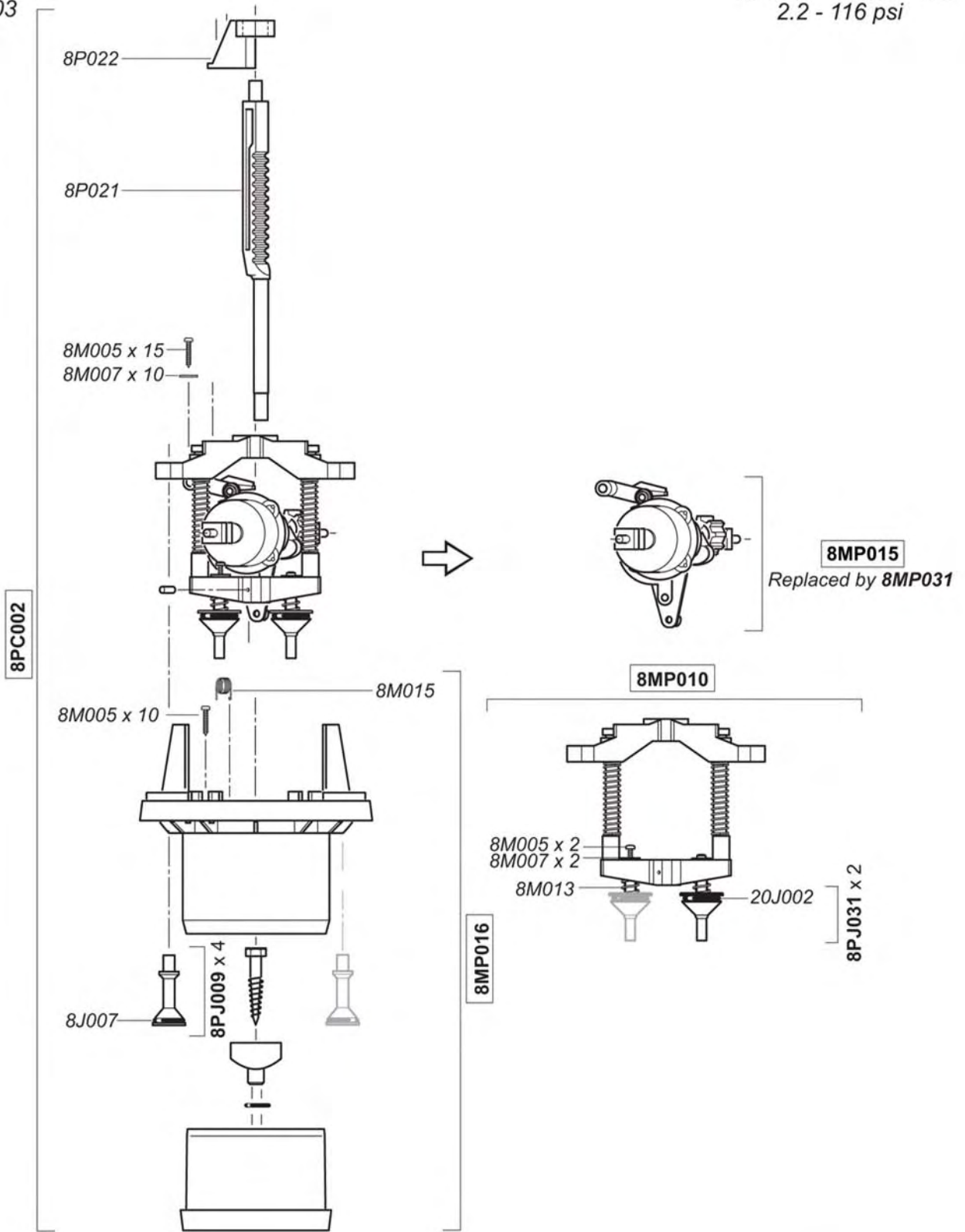
D8R150
11/03

40 GPM - 1:100 - 1:20
2.2 - 116 psi



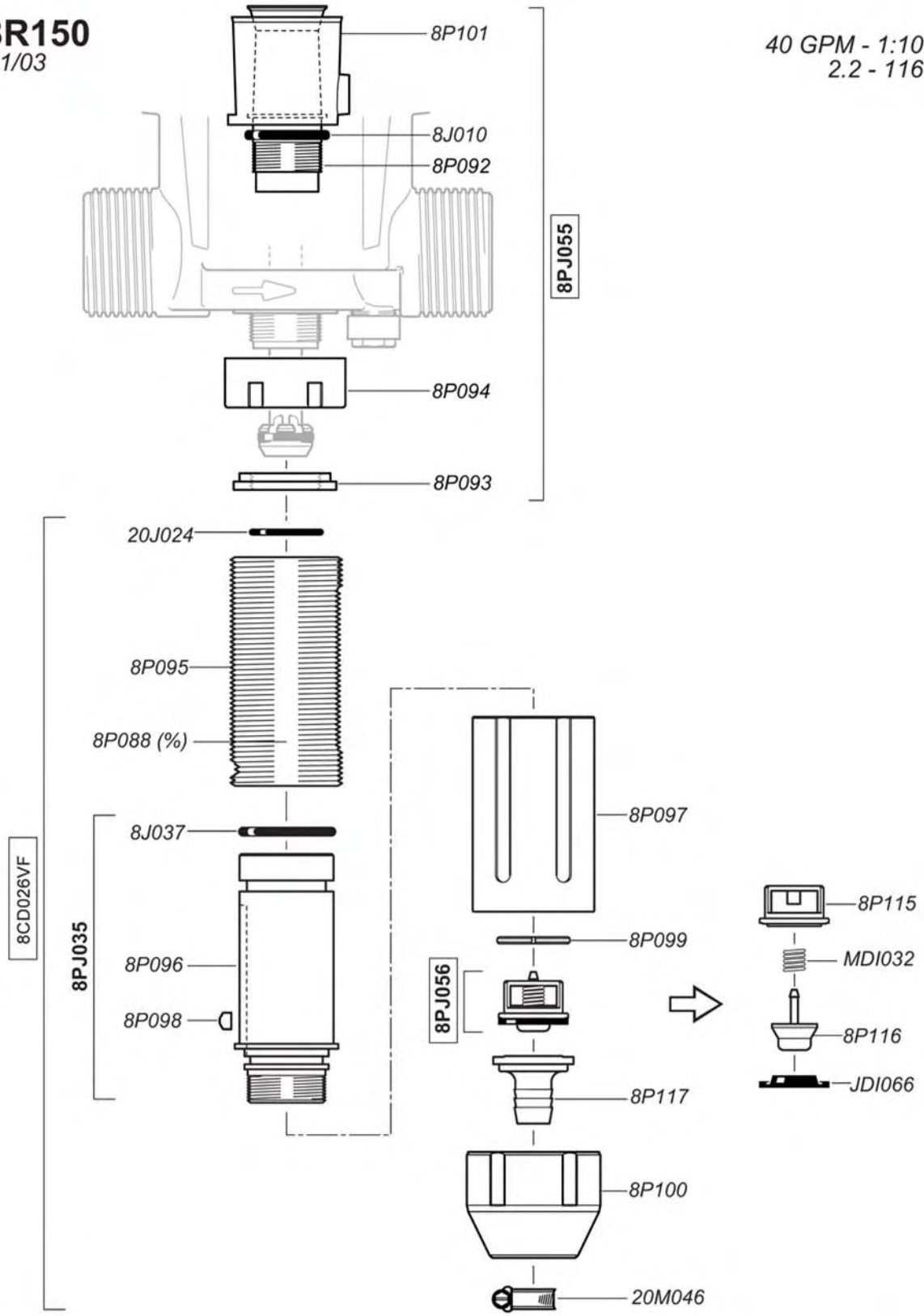
D8R150
11/03

40 GPM - 1:100 - 1:20
2.2 - 116 psi



D8R150
11/03

40 GPM - 1:100 - 1:20
2.2 - 116 psi



D8R150
11/03

40 GPM - 1:100 - 1:20
2.2 - 116 psi

