



DOSATRON®

WATER POWERED DOSING TECHNOLOGY

SCHEMATICS

Dosatron Liquid Dispenser Model #D07RE125 — 3 GPM

1:666 – 1:80

4.3 – 85 PSI

3/4" NPT Connection

Suggested Installation:

200 mesh/80 micron water filter prior to unit

One-way check valve downstream from unit for water hammer protection

Suggested Maintenance Interval:

Replace injection seals every 12 months

DOSATRON SALES & SERVICE - NORTH & CENTRAL AMERICA

Dosatron International, Inc.

Phone: 727-443-5404 Service: (800) 523-8499

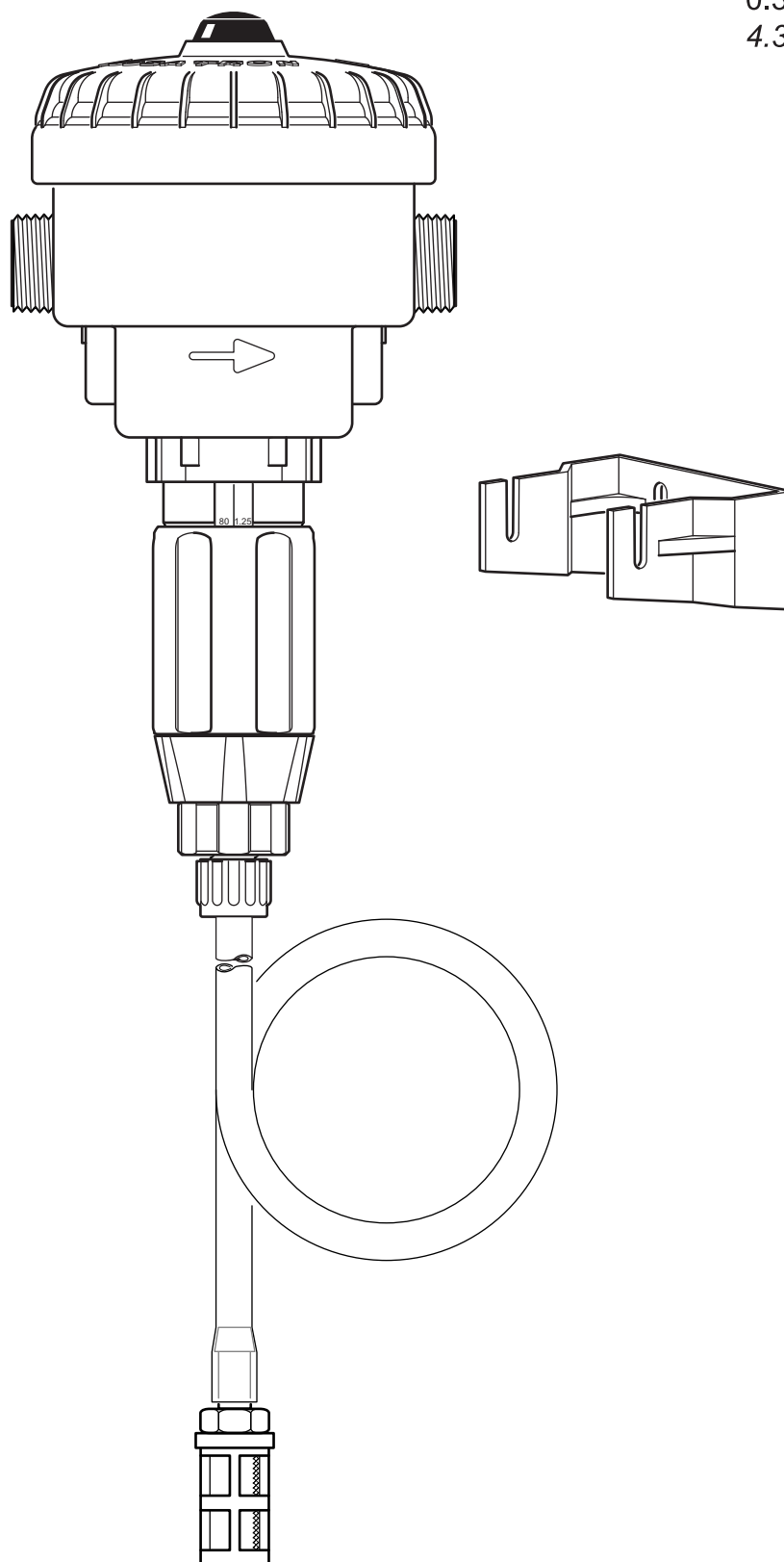
Fax: 727-447-0591

www.dosatronUSA.com

D07RE125

N° SERIE
(N° 05370953 ⇨)

0.7 m³/h - 0.15 - 1.25%
3 GPM - 1:666 - 1:80
0.3 - 6 bar
4.3 - 85 psi



D07RE125/1005/D

D07RE125

N° SERIE

(N° 05370953 ⇨)

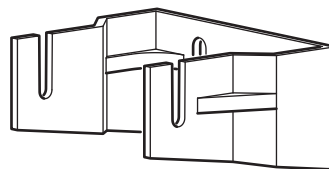
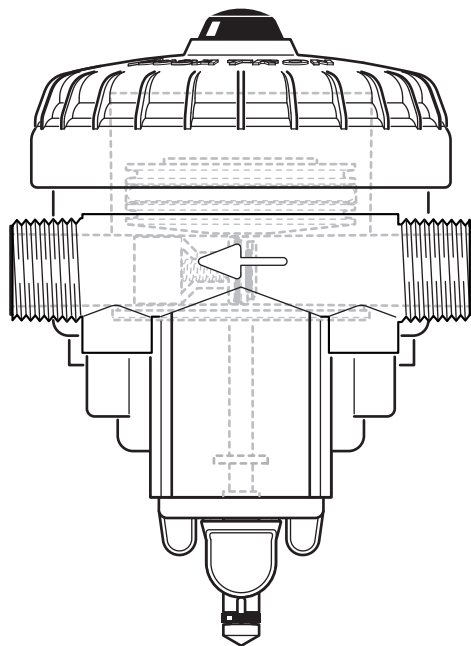
0.7 m³/h - 0.15 - 1.25%

3 GPM - 1:666 - 1:80

0.3 - 6 bar

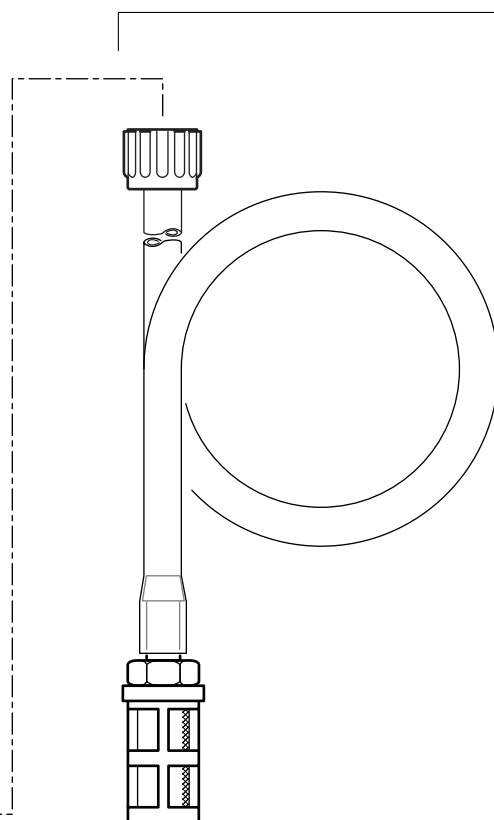
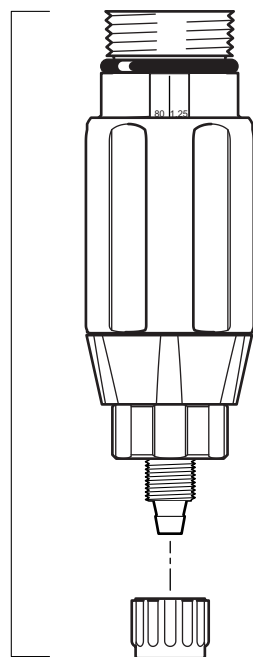
4.3 - 85 psi

C+M



A

D



D07RE125/1005/D

D07RE125

N° SERIE

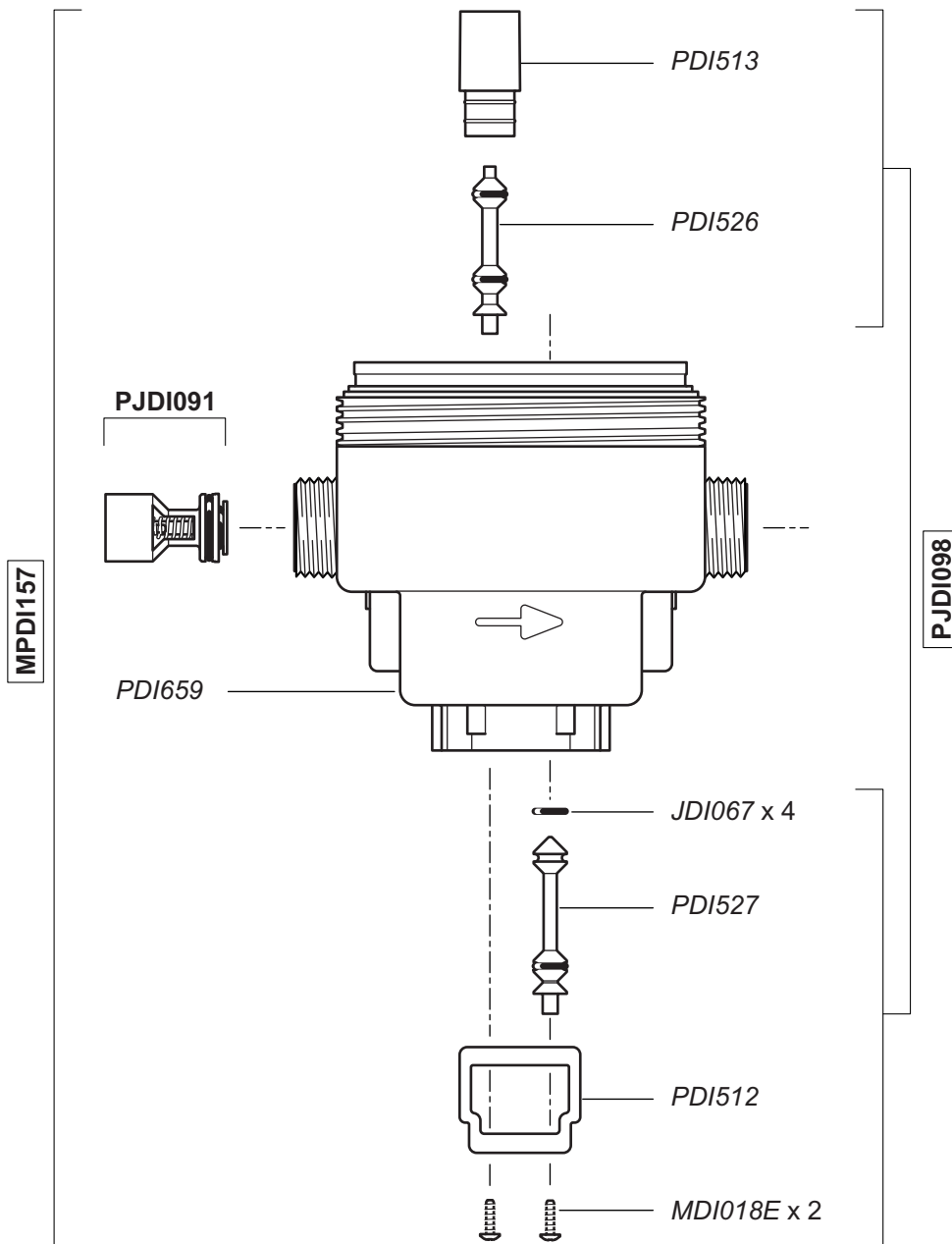
(N° 05370953 ⇨)

0.7 m³/h - 0.15 - 1.25%

3 GPM - 1:666 - 1:80

0.3 - 6 bar

4.3 - 85 psi



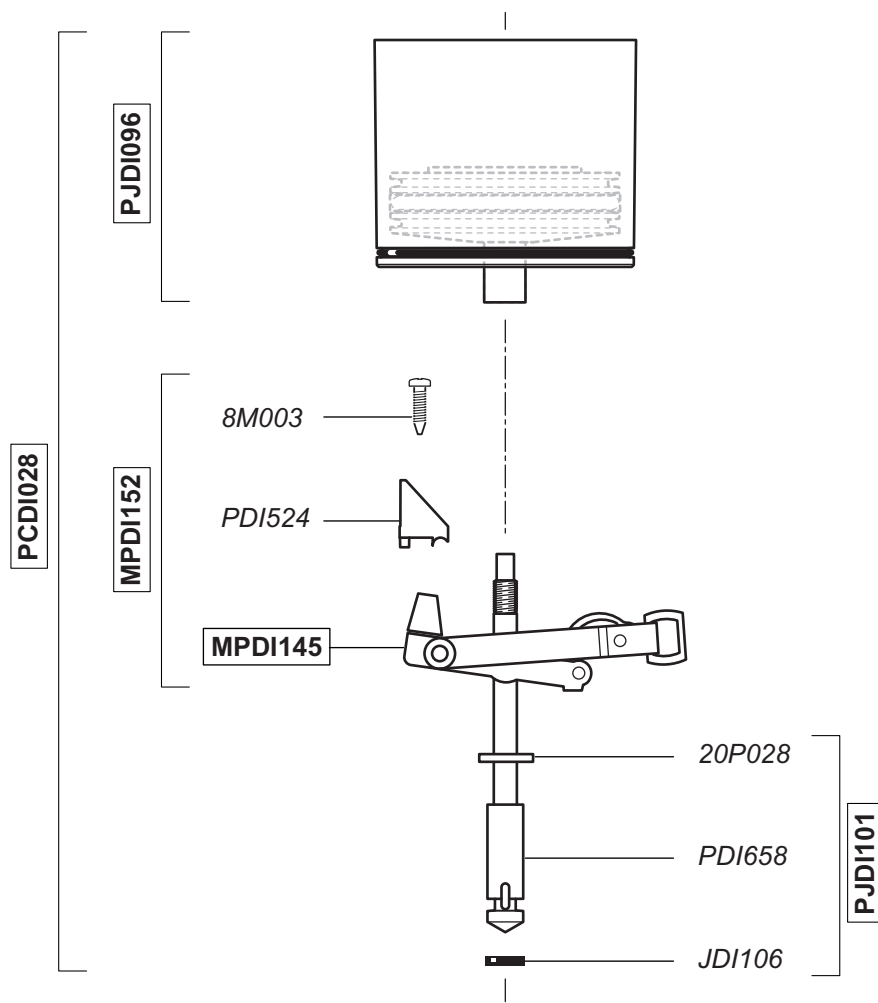
D07RE125/1005/D

C+M

D07RE125

N° SERIE
(N° 05370953 ⇨)

0.7 m³/h - 0.15 - 1.25%
3 GPM - 1:666 - 1:80
0.3 - 6 bar
4.3 - 85 psi



D07RE125

N° SERIE

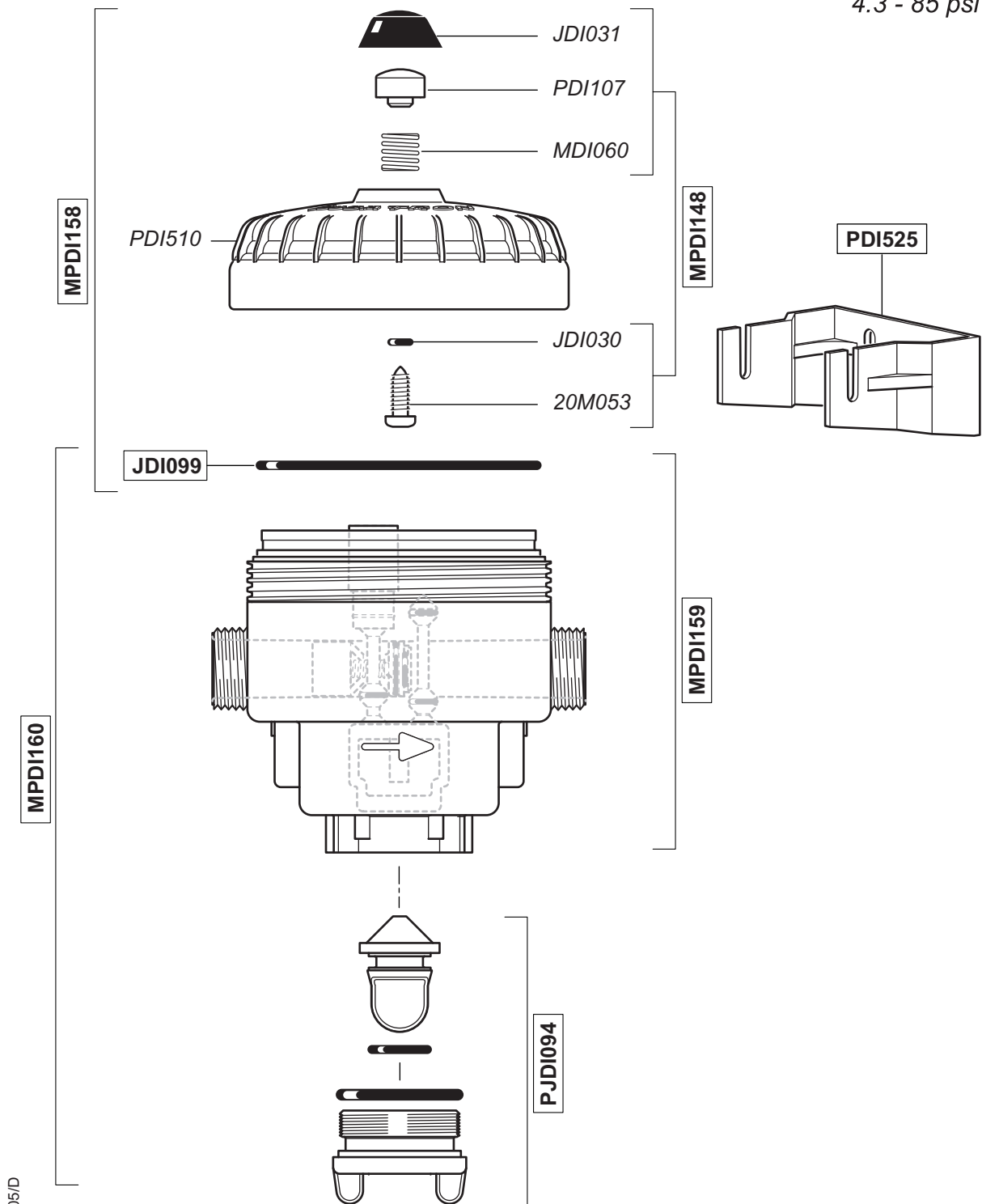
(N° 05370953 ⇨)

0.7 m³/h - 0.15 - 1.25%

3 GPM - 1:666 - 1:80

0.3 - 6 bar

4.3 - 85 psi



D07RE125/1005/D



D07RE125

N° SERIE

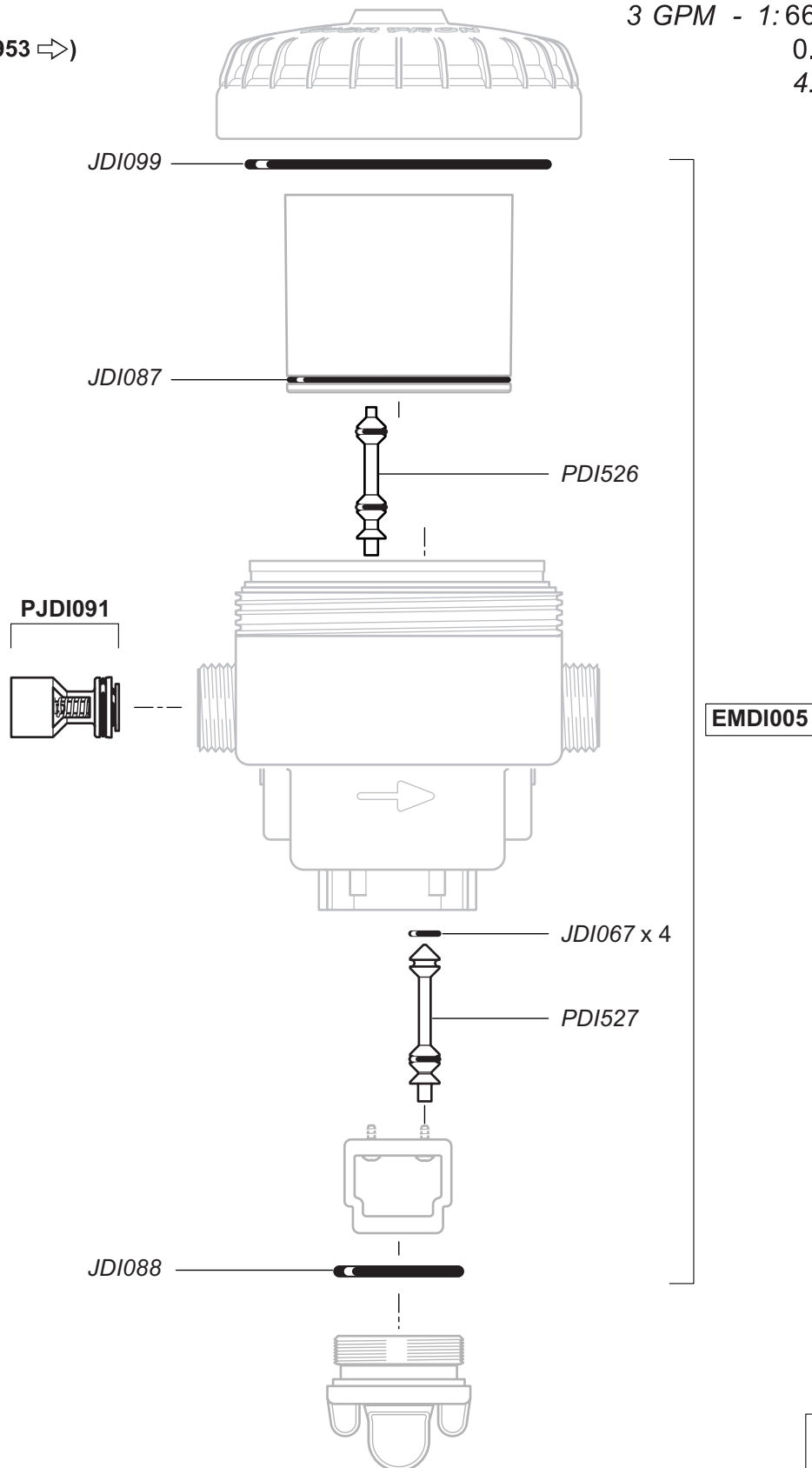
(N° 05370953 ⇨)

0.7 m³/h - 0.15 - 1.25%

3 GPM - 1:666 - 1:80

0.3 - 6 bar

4.3 - 85 psi



D07RE125/1005/D

C+M

D07RE125

N° SERIE

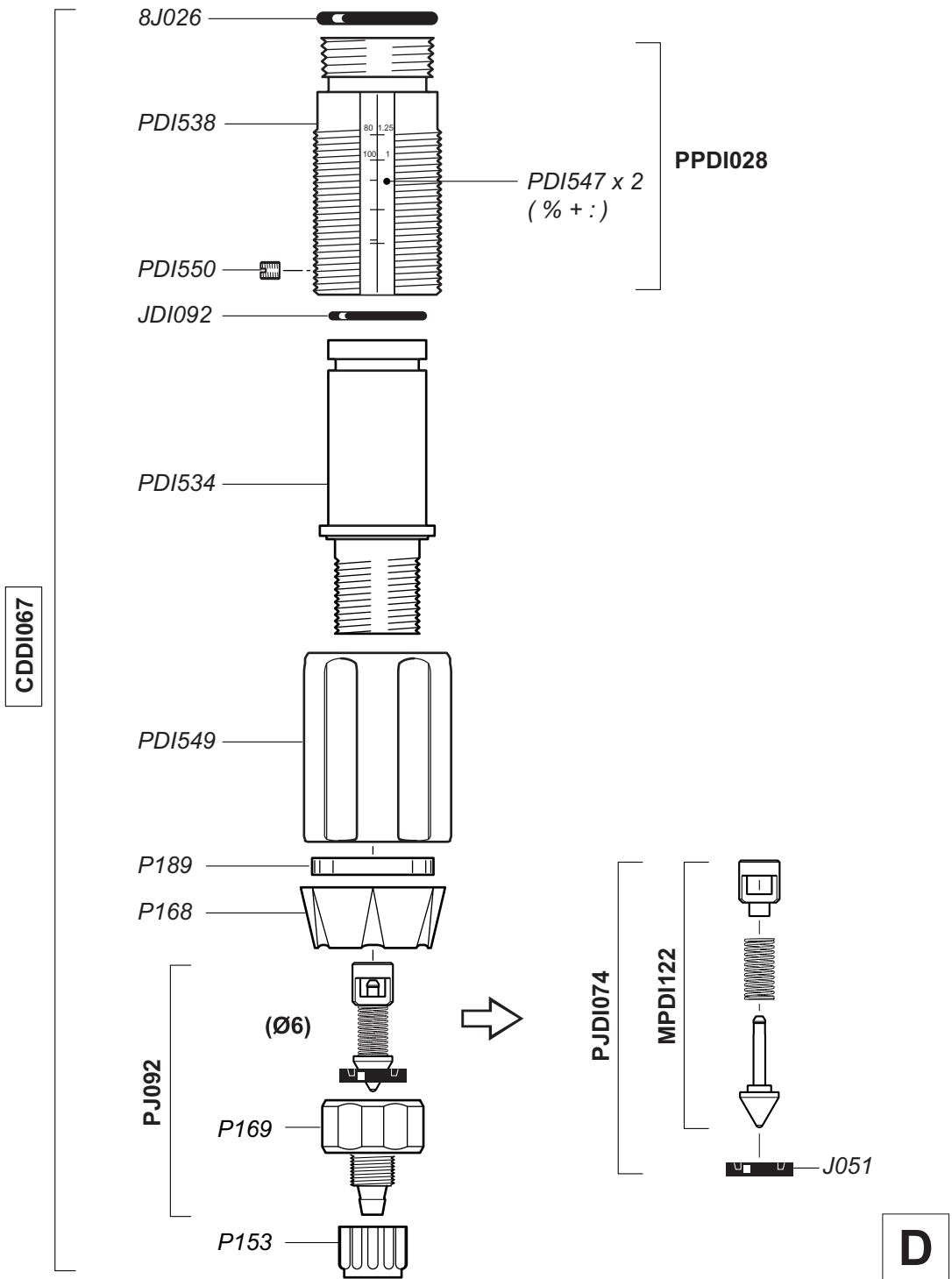
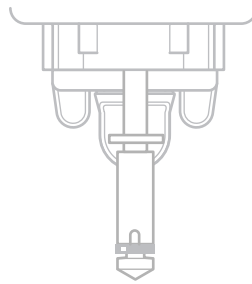
(N° 05370953 →)

0.7 m³/h - 0.15 - 1.25%

3 GPM - 1:666 - 1:80

0.3 - 6 bar

4.3 - 85 psi



D07RE125/1005/D

D07RE125

N° SERIE

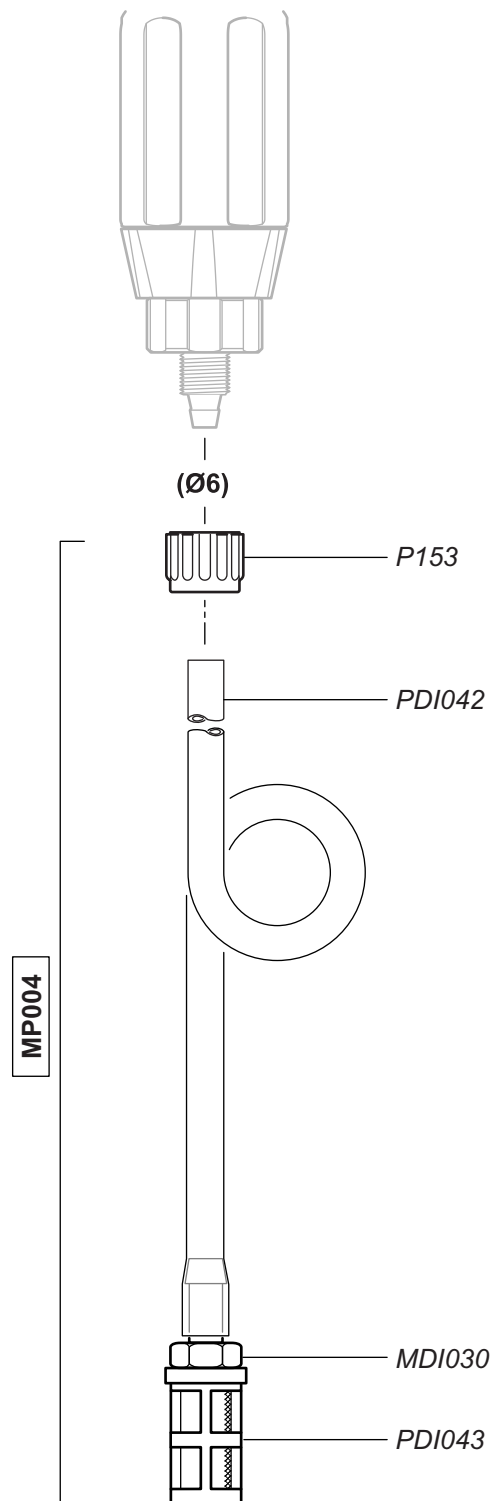
(N° 05370953 ⇨)

0.7 m³/h - 0.15 - 1.25%

3 GPM - 1:666 - 1:80

0.3 - 6 bar

4.3 - 85 psi



D07RE125/1005/D

A