



**DOSATRON®**

*WATER POWERED DOSING TECHNOLOGY*

---

# SCHEMATICS

## Dosatron Liquid Dispenser **Model #D07RE5 - 3 GPM**

1:128 – 1:18  
4.3 – 85 PSI  
3/4" NPT Connection

### **Suggested Installation:**

200 mesh/80 micron water filter prior to unit  
One-way check valve downstream from unit for water hammer protection

### **Suggested Maintenance Interval:**

Replace injection seals every 12 months

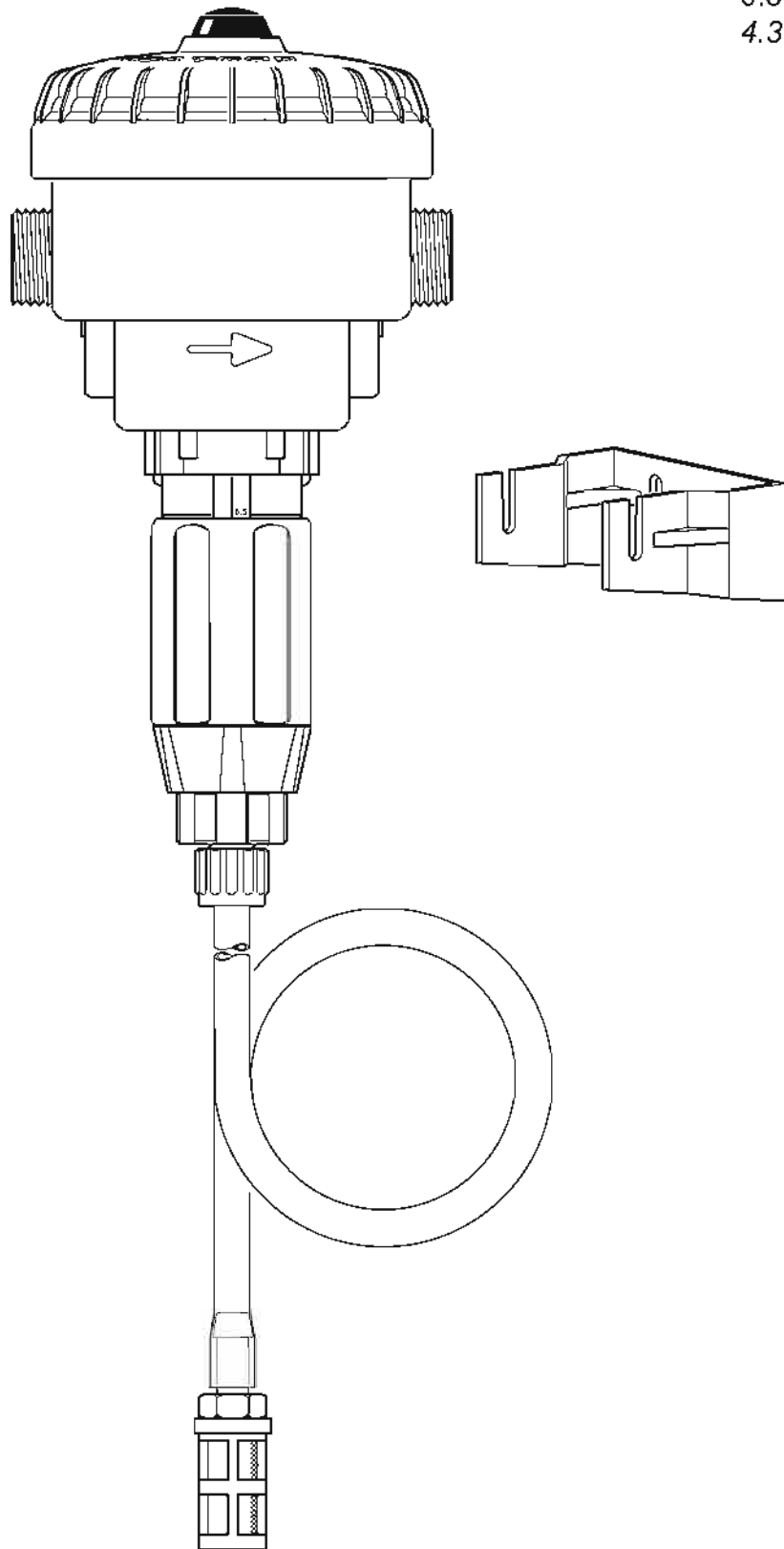
---

#### **DOSATRON SALES & SERVICE - NORTH & CENTRAL AMERICA**

Dosatron International, Inc.  
Phone: 727-443-5404 Service: (800) 523-8499  
Fax: 727-447-0591  
[www.dosatronUSA.com](http://www.dosatronUSA.com)

**D07RE5**  
N° SERIE  
(N° 05370953 ⇄ )

0.7 m<sup>3</sup>/h - 0.8 - 5.5 %  
3 GPM - 1:128 - 1:18  
0.3 - 6 bar  
4.3 - 85 psi



D07RE5/1005/D

# D07RE5

N° SERIE

(N° 05370953 ⇄)

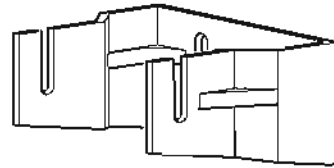
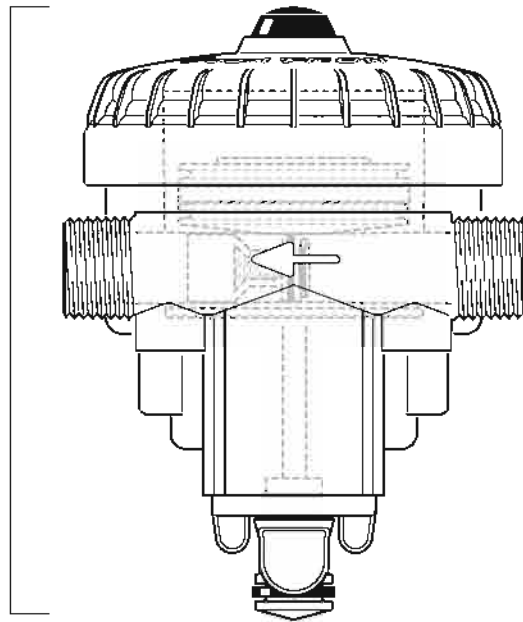
0.7 m<sup>3</sup>/h - 0.8 - 5.5%

3 GPM - 1:128 - 1:18

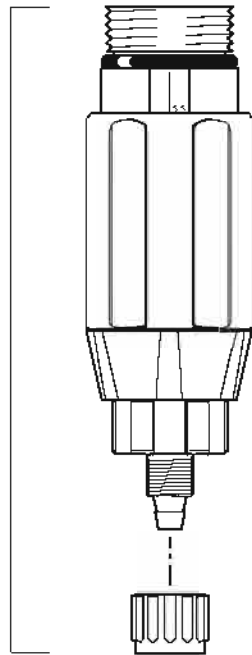
0.3 - 6 bar

4.3 - 85 psi

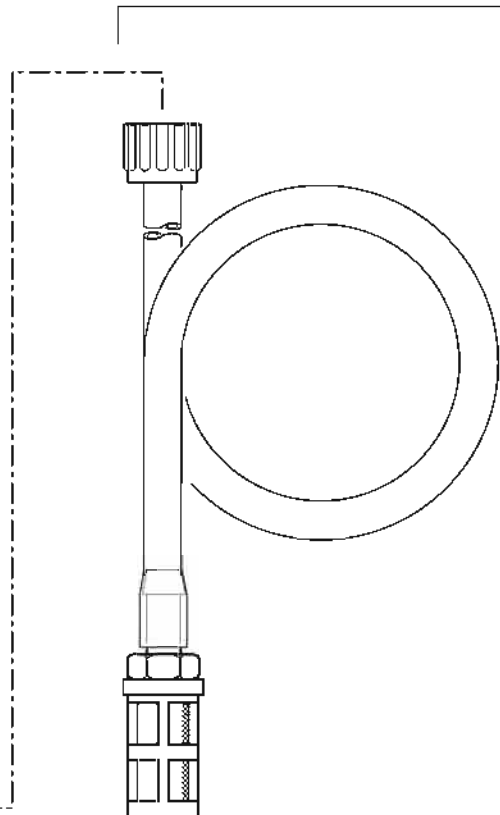
C+M



D



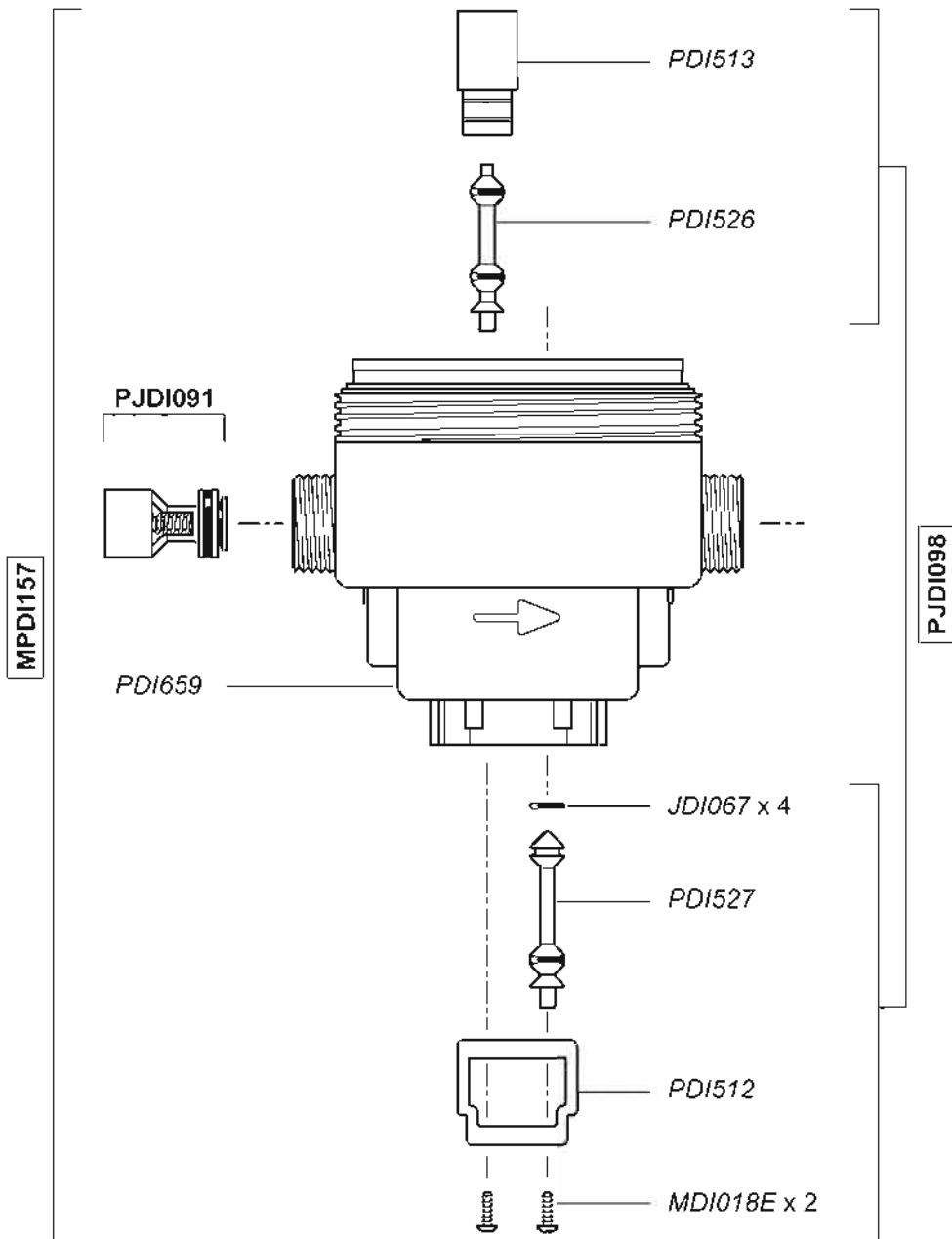
A



D07RE5/1005/D

**D07RE5**  
 N° SERIE  
 (N° 05370953 ⇨)

0.7 m<sup>3</sup>/h - 0.8 - 5.5%  
 3 GPM - 1:128 - 1:18  
 0.3 - 6 bar  
 4.3 - 85 psi

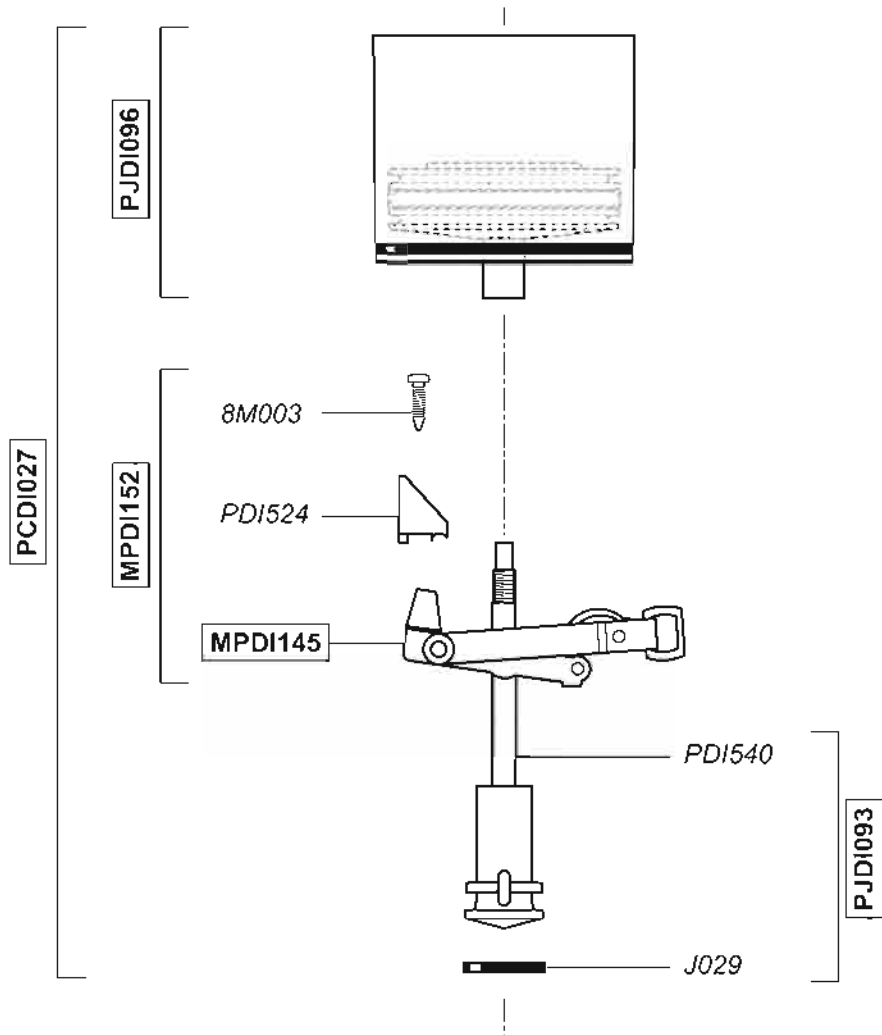


D07RE5/1005/D



**D07RE5**  
N° SERIE  
(N° 05370953 ⇔)

0.7 m<sup>3</sup>/h - 0.8 - 5.5 %  
3 GPM - 1:128 - 1:18  
0.3 - 6 bar  
4.3 - 85 psi



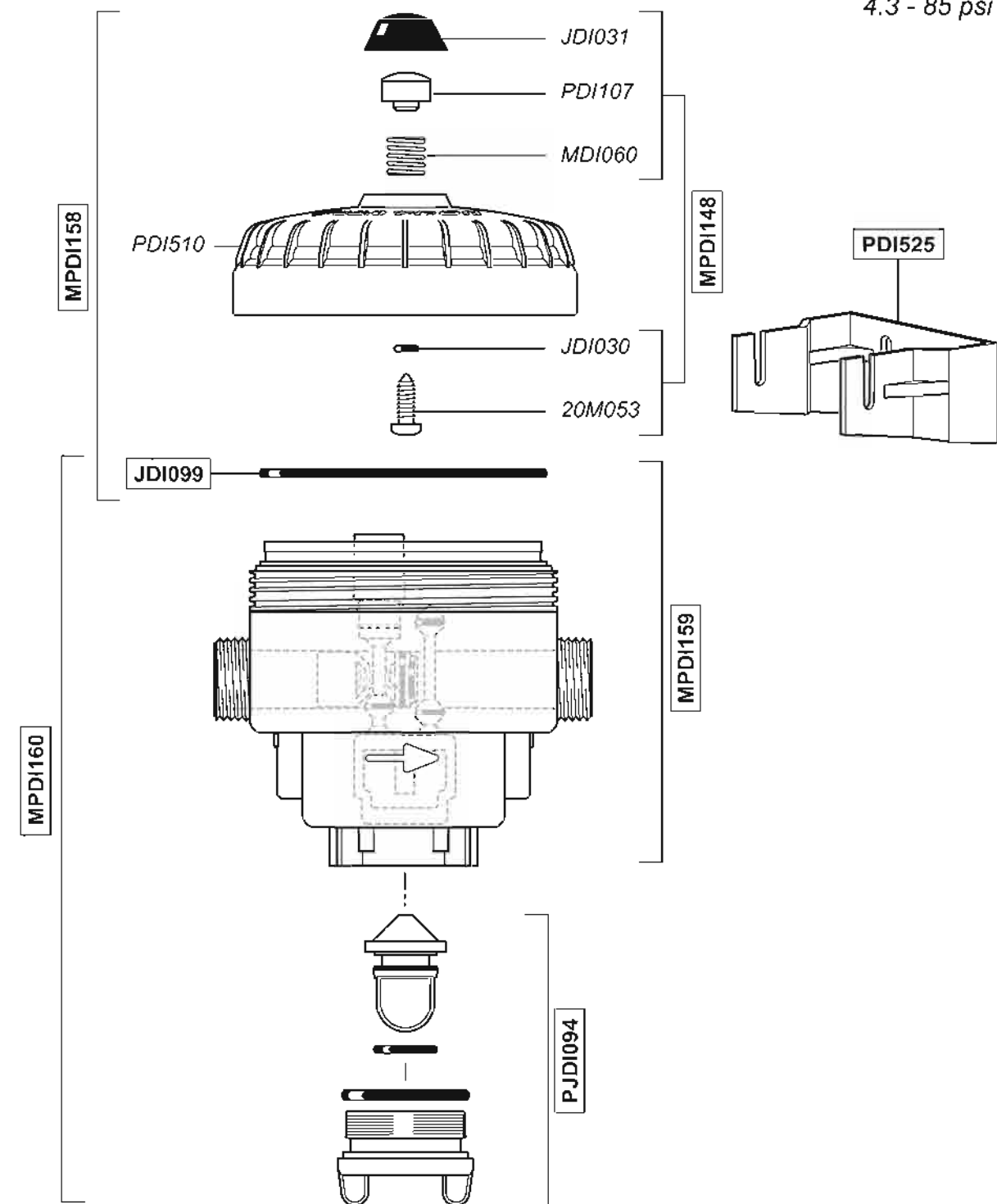
D07RE5/1005/D



# D07RE5

N° SERIE  
(N° 05370953 ⇨)

0.7 m<sup>3</sup>/h - 0.8 - 5.5 %  
3 GPM - 1:128 - 1:18  
0.3 - 6 bar  
4.3 - 85 psi

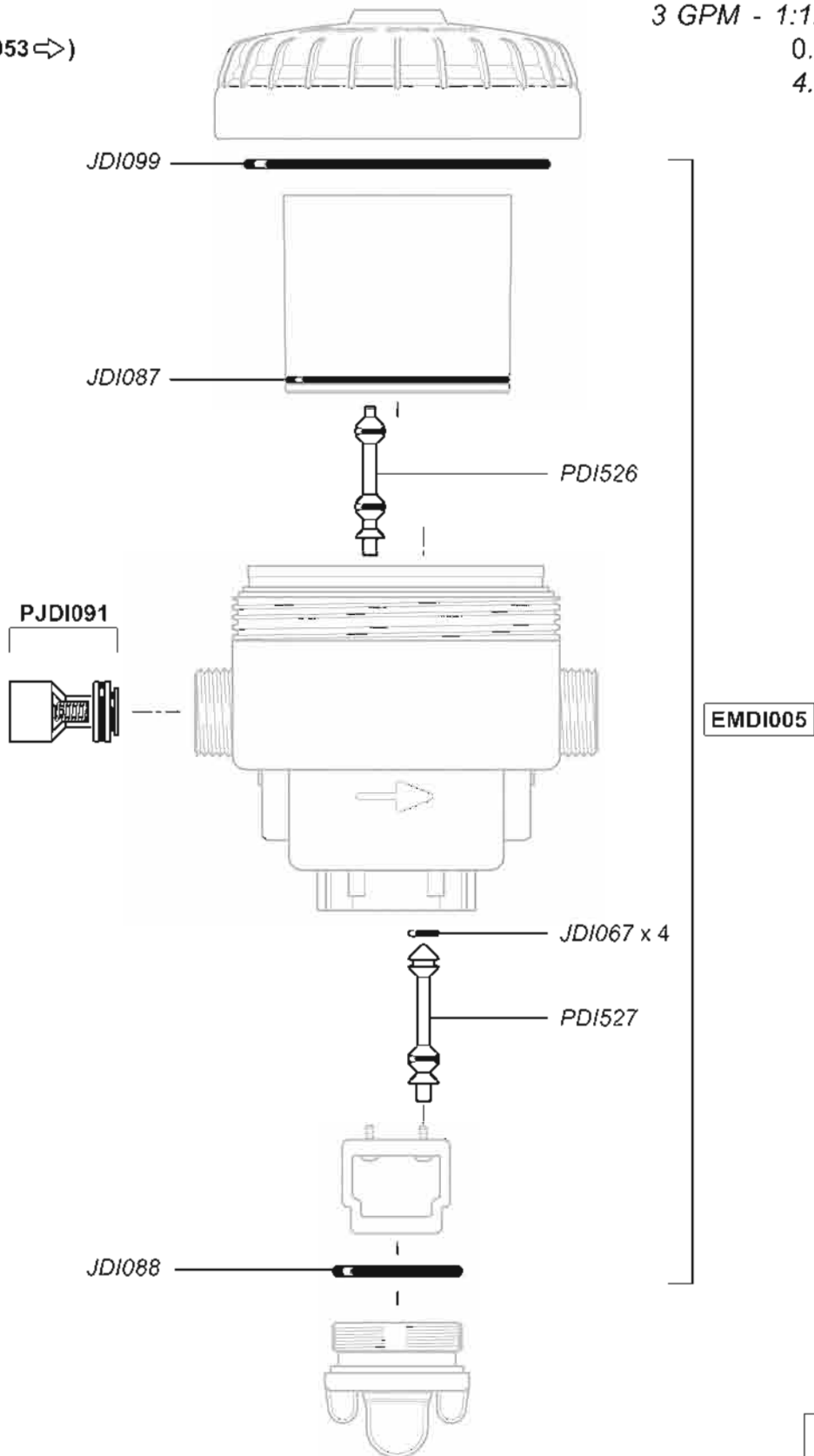


D07RE5/1005/D

**C+M**

**D07RE5**  
 N° SERIE  
 (N° 05370953 ⇨)

0.7 m<sup>3</sup>/h - 0.8 - 5.5 %  
 3 GPM - 1:128 - 1:18  
 0.3 - 6 bar  
 4.3 - 85 psi

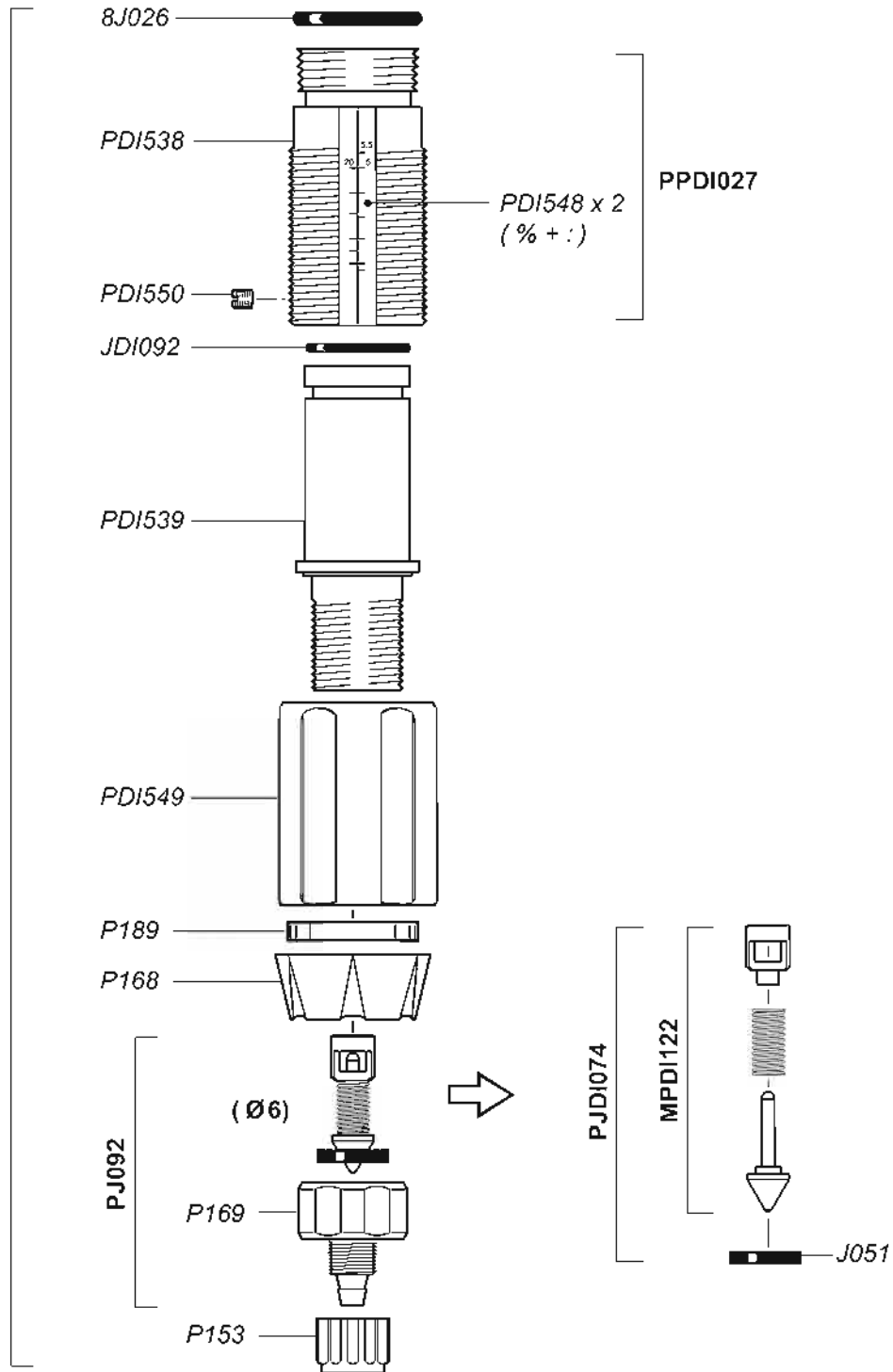
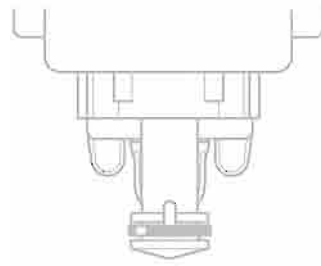


D07RE5/1005/D

**C+M**

**D07RE5**  
 N° SERIE  
 (N° 05370953 ⇨)

0.7 m<sup>3</sup>/h - 0.8 - 5.5 %  
 3 GPM - 1:128 - 1:18  
 0.3 - 6 bar  
 4.3 - 85 psi



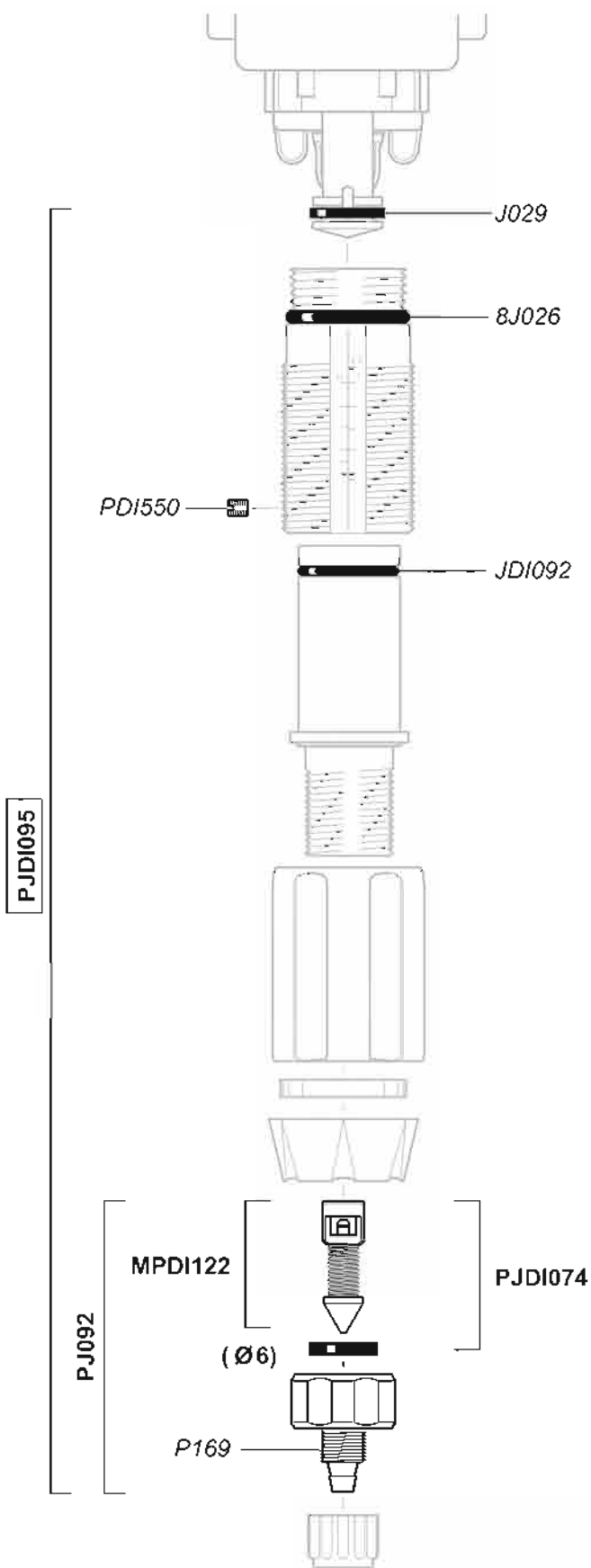
CDDI066

D07RE5/1005/D

**D**

**D07RE5**  
 N° SERIE  
 (N° 05370953 ⇨)

0.7 m<sup>3</sup>/h - 0.8 - 5.5 %  
 3 GPM - 1:128 - 1:18  
 0.3 - 6 bar  
 4.3 - 85 psi



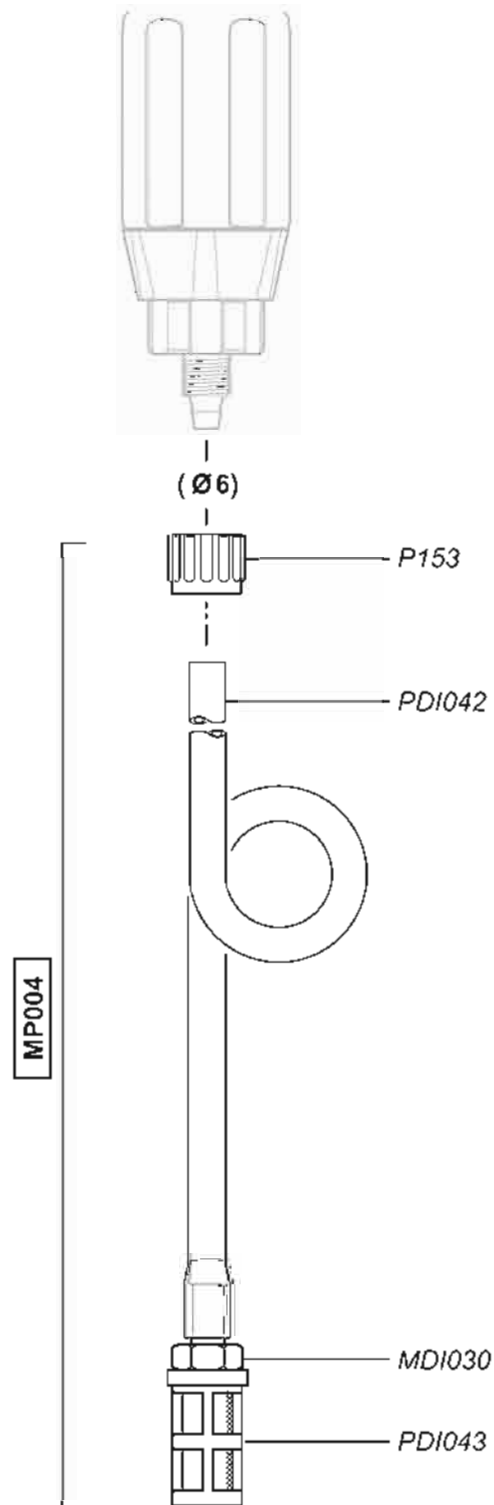
D07RE5/1005/D

**D**

# D07RE5

N° SERIE  
(N° 05370953 ⇔)

0.7 m<sup>3</sup>/h - 0.8 - 5.5 %  
3 GPM - 1:128 - 1:18  
0.3 - 6 bar  
4.3 - 85 psi



D07RE5/1005/D

**A**