



DOSATRON®

WATER POWERED DOSING TECHNOLOGY

SCHEMATICS

Dosatron Liquid Dispenser **Model # D45RE8-20 GPM**

1:33 – 1:10

7 – 70 PSI

SN 07141222 and up

Suggested Installation:

200 mesh/80 micron water filter prior to unit

One-way check valve downstream from unit for water hammer protection

Suggested Maintenance Interval:

Replace injection seals every 12 months

DOSATRON SALES & SERVICE - NORTH & CENTRAL AMERICA

Dosatron International, Inc.

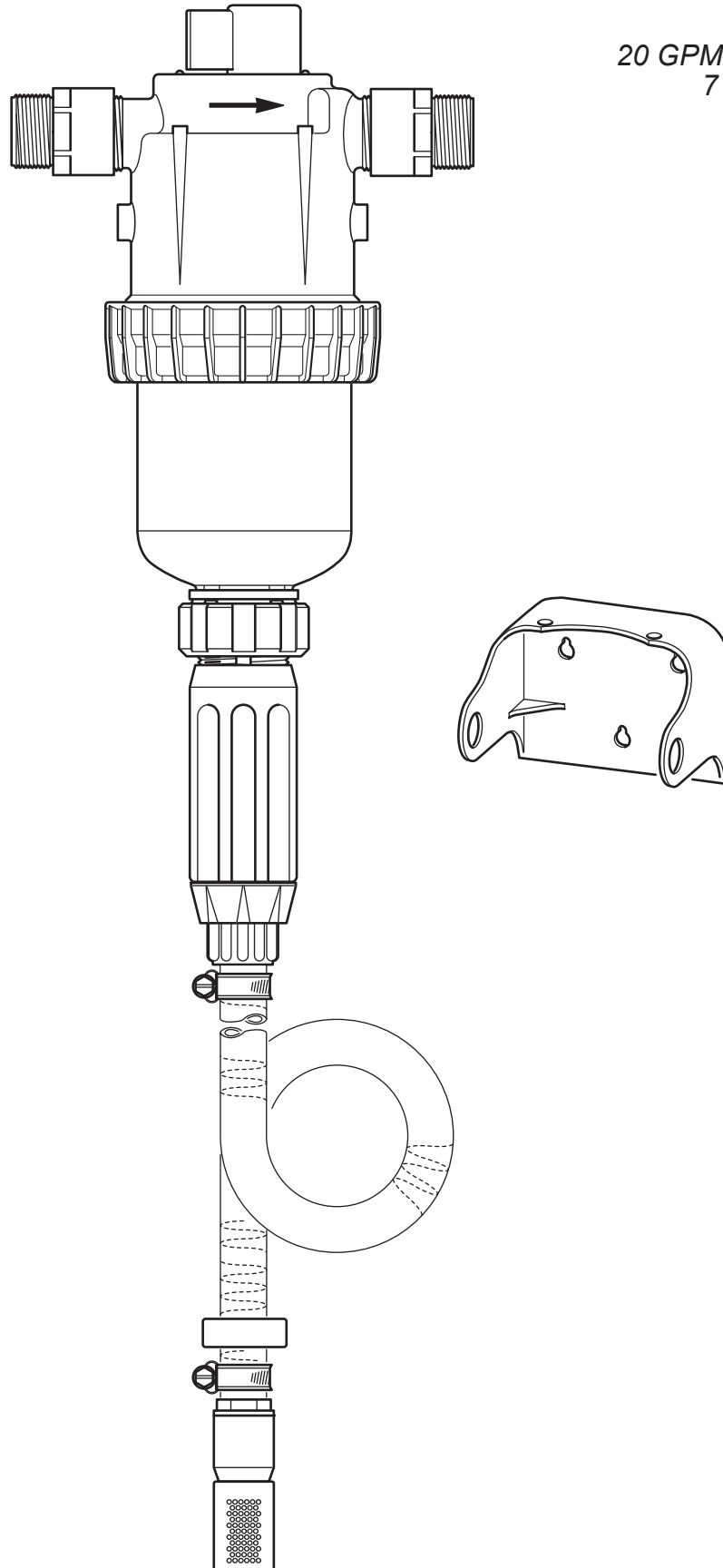
Phone: 727-443-5404 Service: (800) 523-8499

Fax: 727-447-0591

www.dosatronUSA.com

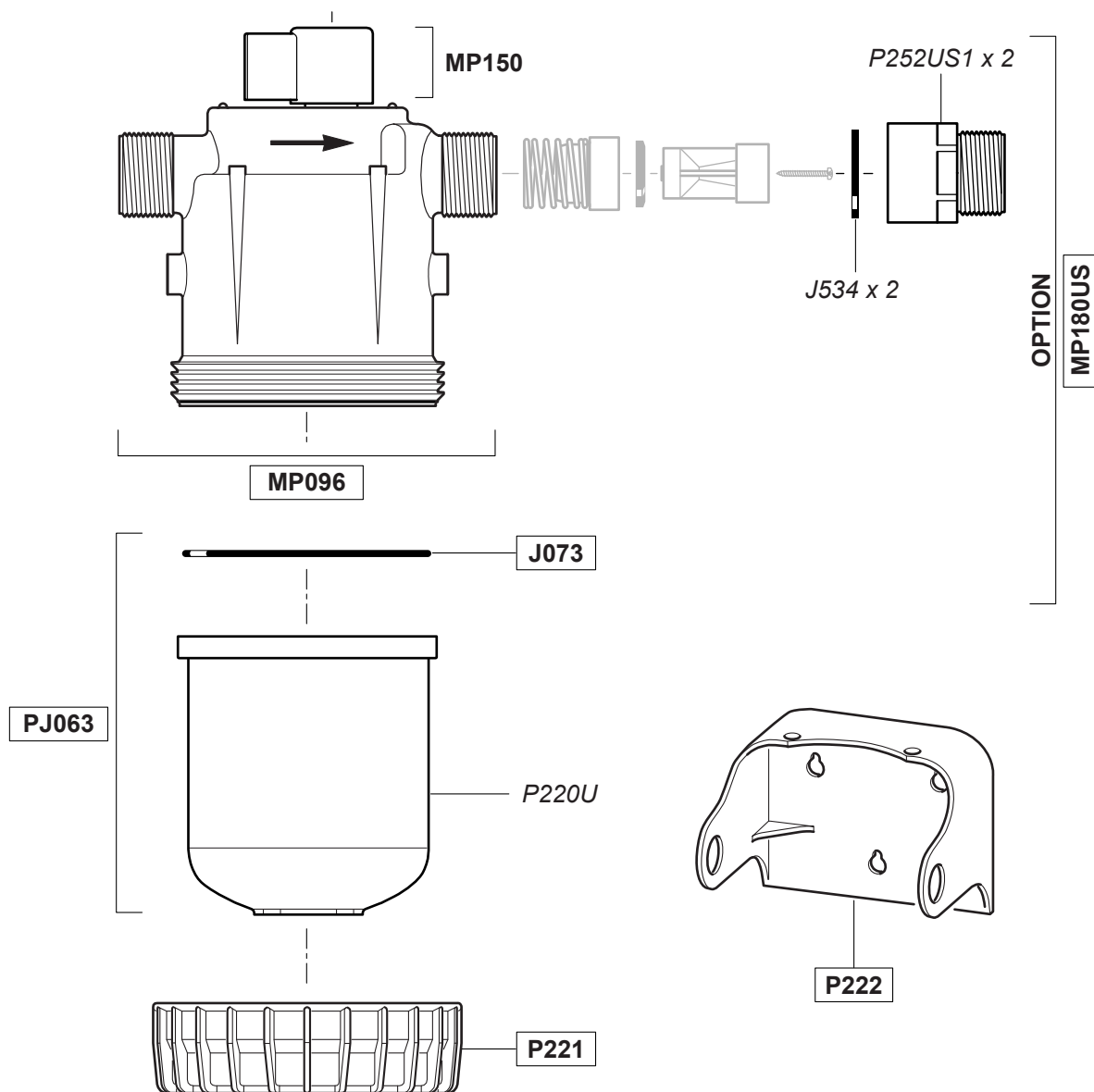
D45RE8
N° SERIE:
(N°07141222 →)

20 GPM - 1:33 - 1:13
7 - 70 psi



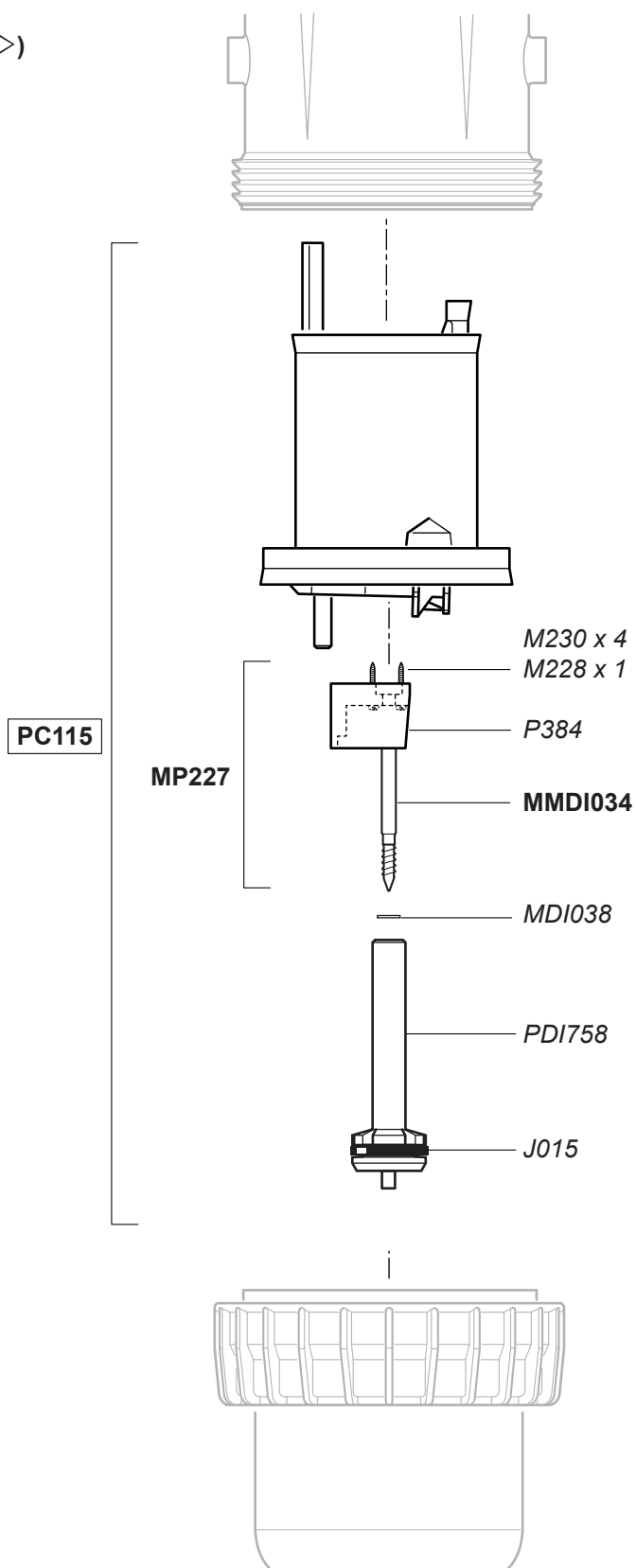
D45RE8
 N° SERIE
 (N° 07141222 ⇨)

4.5 m³/h - 3 - 8%
 20 GPM - 1:33 - 1:13
 0.5 - 5 bar
 7 - 70 psi



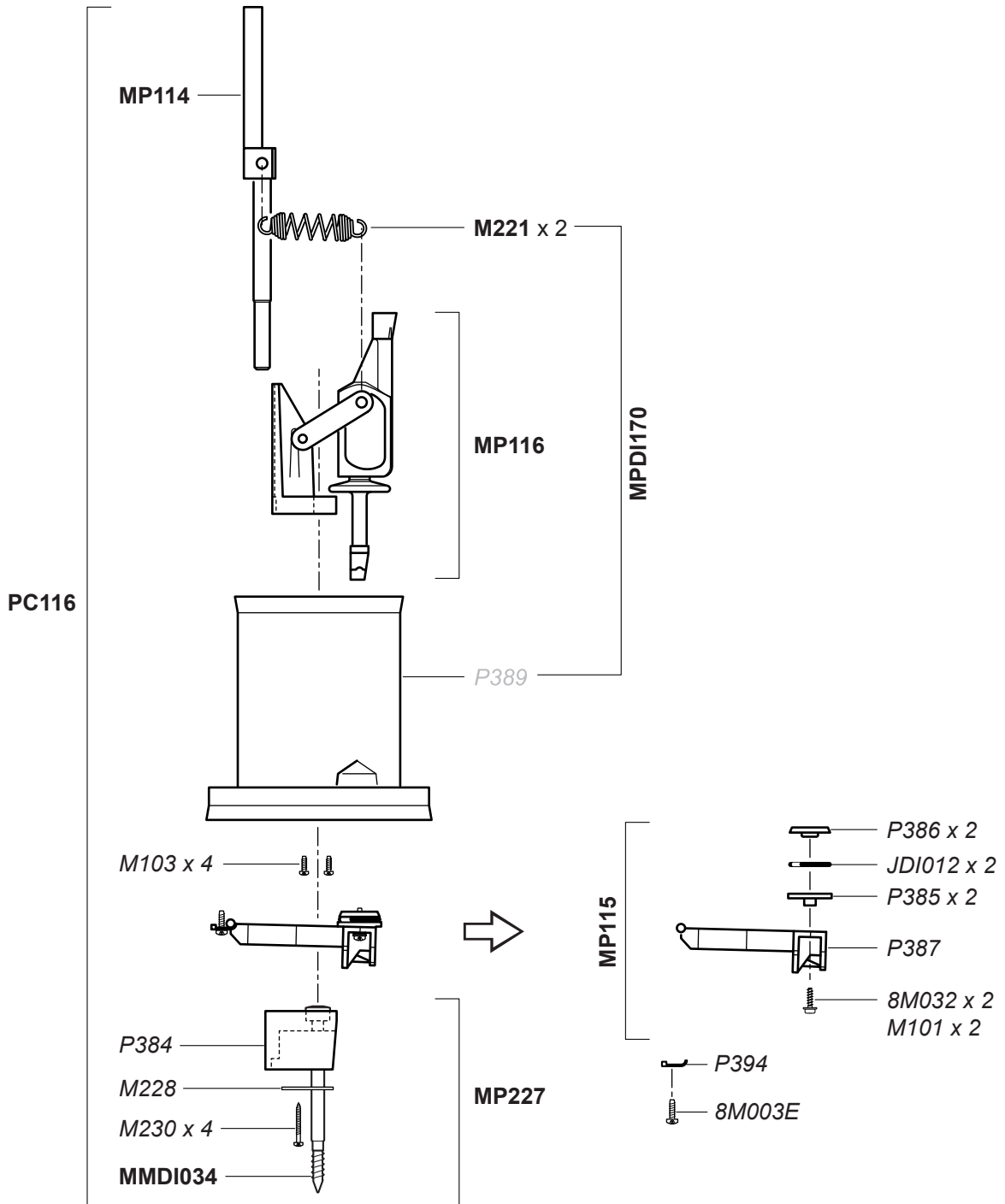
D45RE8
N° SERIE
(N° 07141222 ⇨)

4.5 m³/h - 3 - 8%
 20 GPM - 1:33 - 1:13
 0.5 - 5 bar
 7 - 70 psi



D45RE8
 N° SERIE
 (N° 07141222 ⇨)

4.5 m³/h - 3 - 8%
 20 GPM - 1:33 - 1:13
 0.5 - 5 bar
 7 - 70 psi

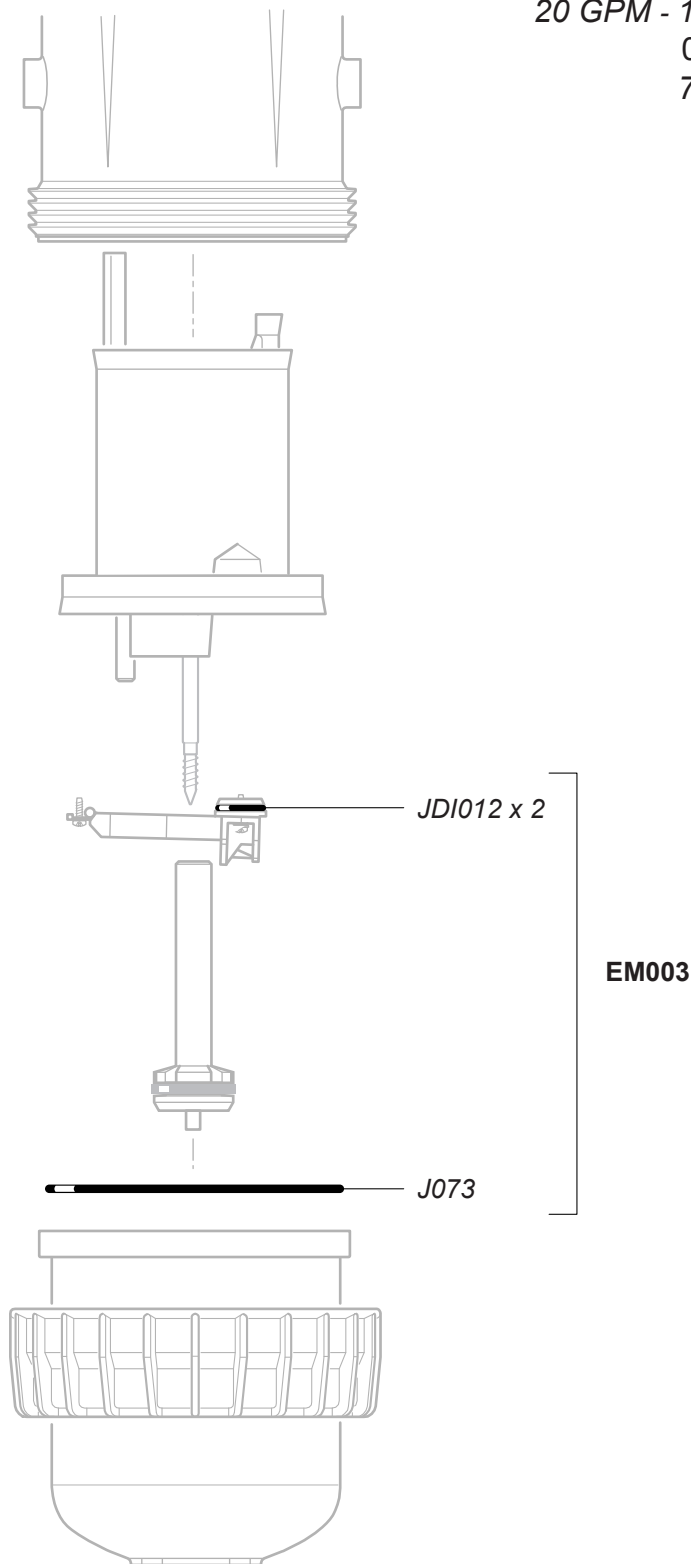


© DOSATRON INTERNATIONAL S.A. 2007
 D45RE8/0607/D5



D45RE8
N° SERIE
(N° 07141222 ⇨)

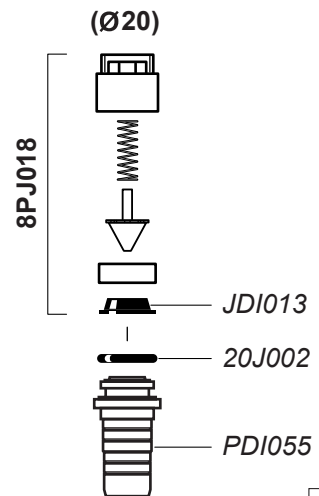
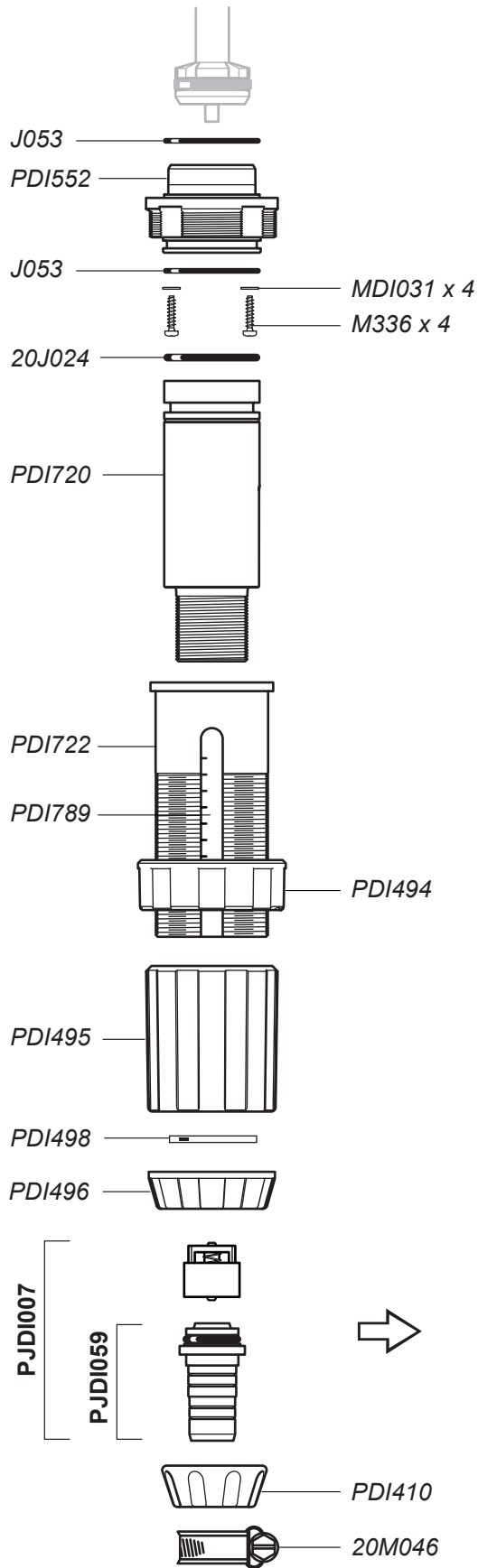
4.5 m³/h - 3 - 8%
20 GPM - 1:33 - 1:13
0.5 - 5 bar
7 - 70 psi



D45RE8
 N° SERIE
 (N° 07141222 ⇨)

4.5 m³/h - 3 - 8%
 20 GPM - 1:33 - 1:13
 0.5 - 5 bar
 7 - 70 psi

CD107



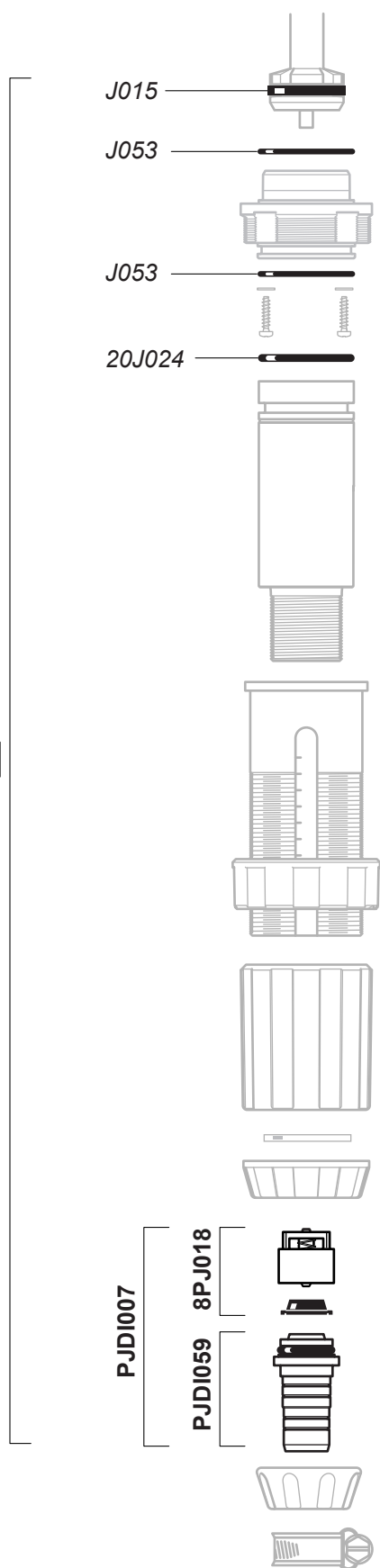
© DOSATRON INTERNATIONAL S.A. 2007
 D45RE8/0607/D7

D

D45RE8
 N° SERIE
 (N° 07141222 ⇨)

4.5 m³/h - 3 - 8%
 20 GPM - 1:33 - 1:13
 0.5 - 5 bar
 7 - 70 psi

PJ151

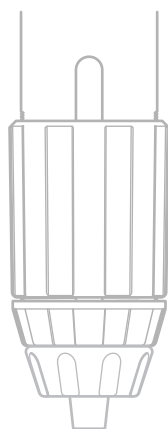


© DOSATRON INTERNATIONAL S.A. 2007
 D45RE8/0607/D8

D

D45RE8
N° SERIE
(N° 07141222 ⇨)

4.5 m³/h - 3 - 8%
20 GPM - 1:33 - 1:13
0.5 - 5 bar
7 - 70 psi



(Ø 20)

