



DOSATRON®

WATER POWERED DOSING TECHNOLOGY

SCHEMATICS

Dosatron Liquid Dispenser **Model # D45RE8-20 GPM**

1:33 – 1:10

7 – 70 PSI

SNs less than 07141222

Suggested Installation:

200 mesh/80 micron water filter prior to unit

One-way check valve downstream from unit for water hammer protection

Suggested Maintenance Interval:

Replace injection seals every 12 months

DOSATRON SALES & SERVICE - NORTH & CENTRAL AMERICA

Dosatron International, Inc.

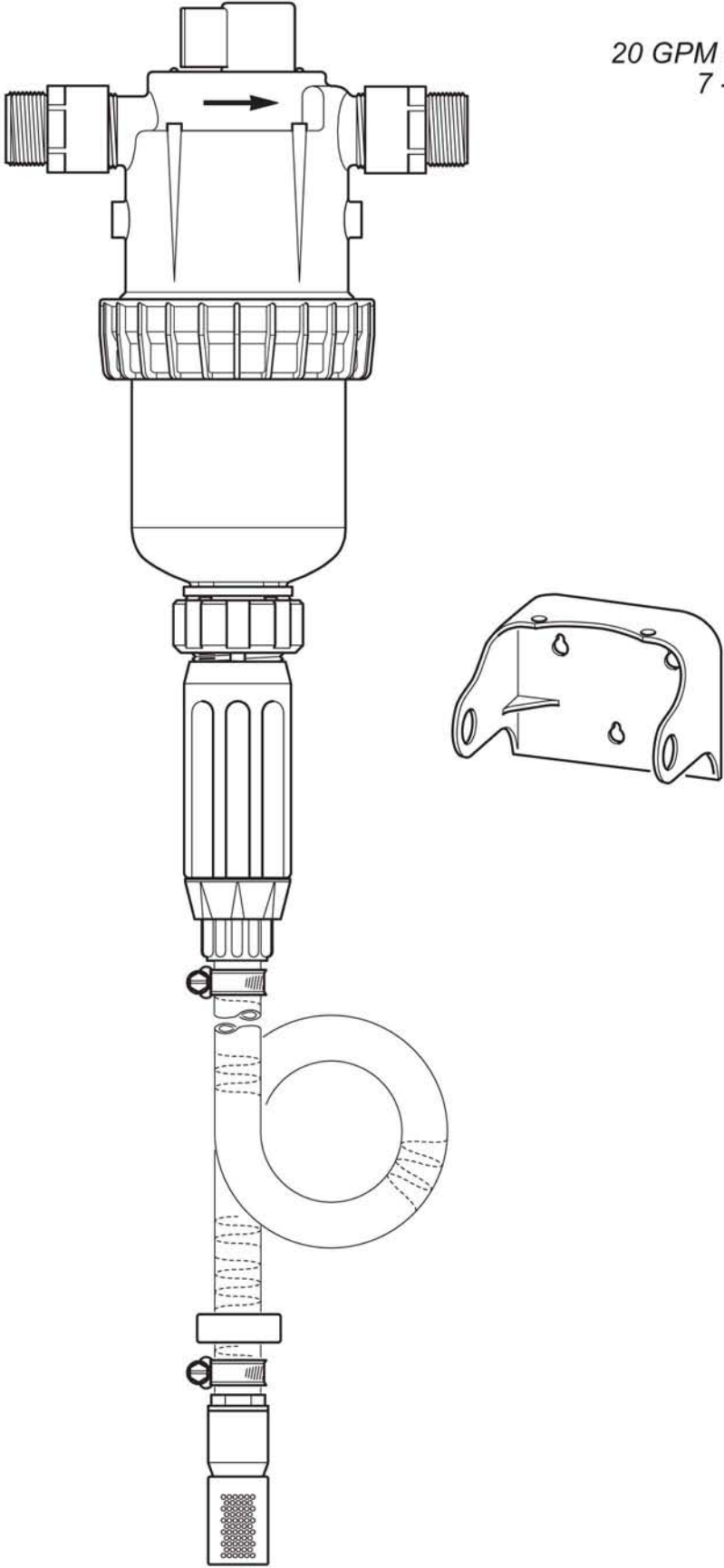
Phone: 727-443-5404 Service: (800) 523-8499

Fax: 727-447-0591

www.dosatronUSA.com

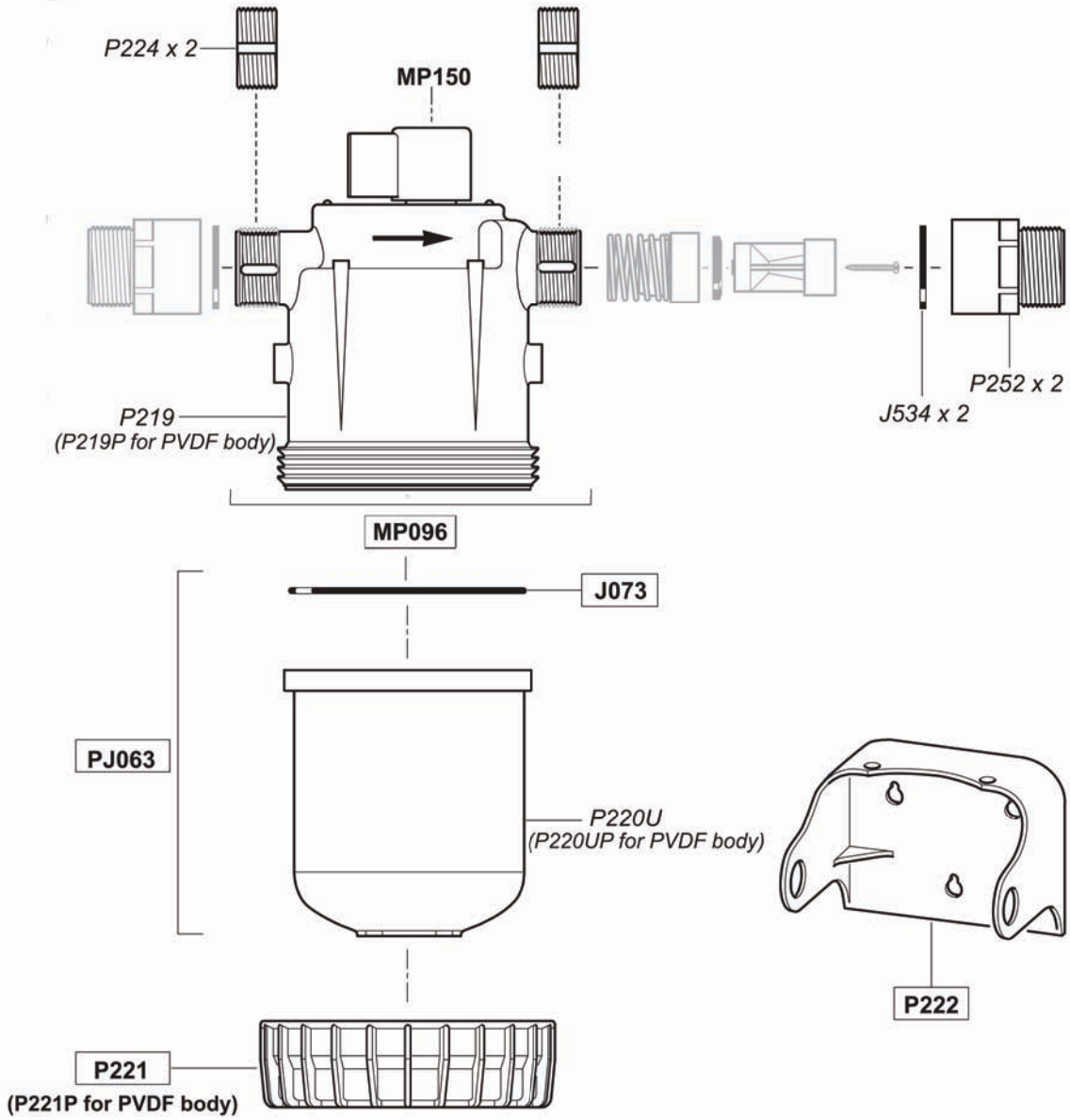
D45RE8
11/03

20 GPM - 1:33 - 1:13
7 - 70 psi



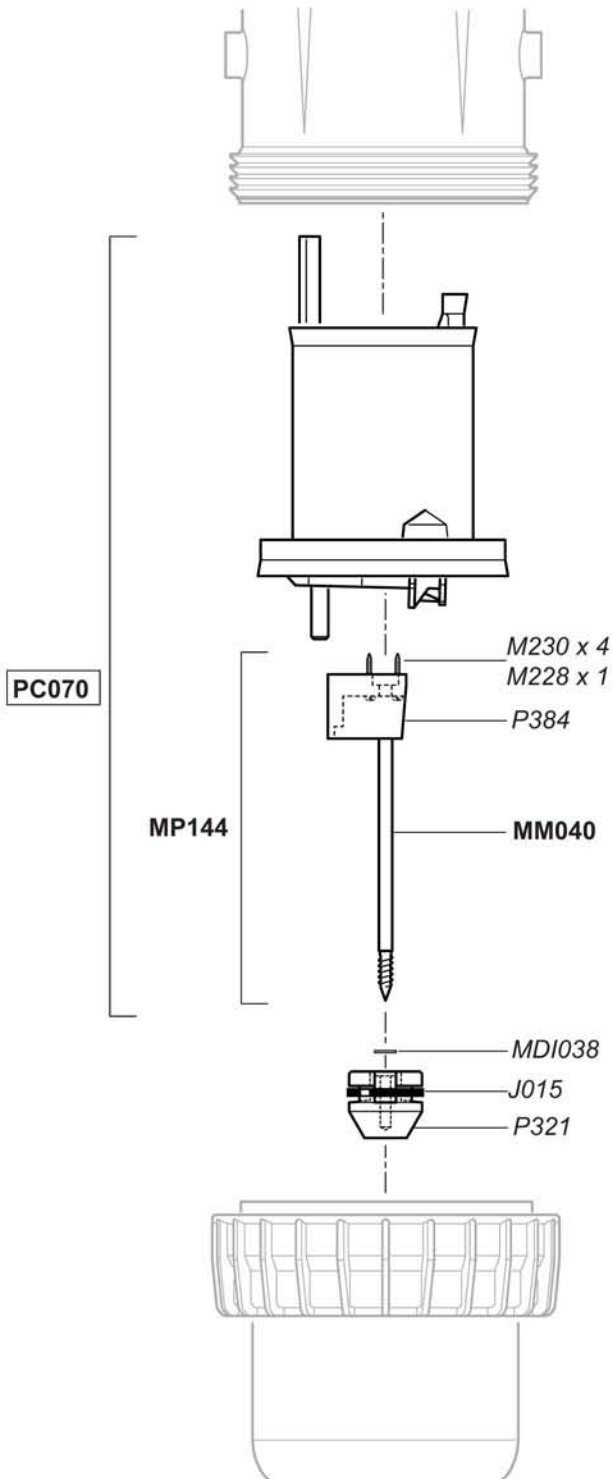
D45RE8
11/03

20 GPM - 1:33 - 1:13
7 - 70 psi



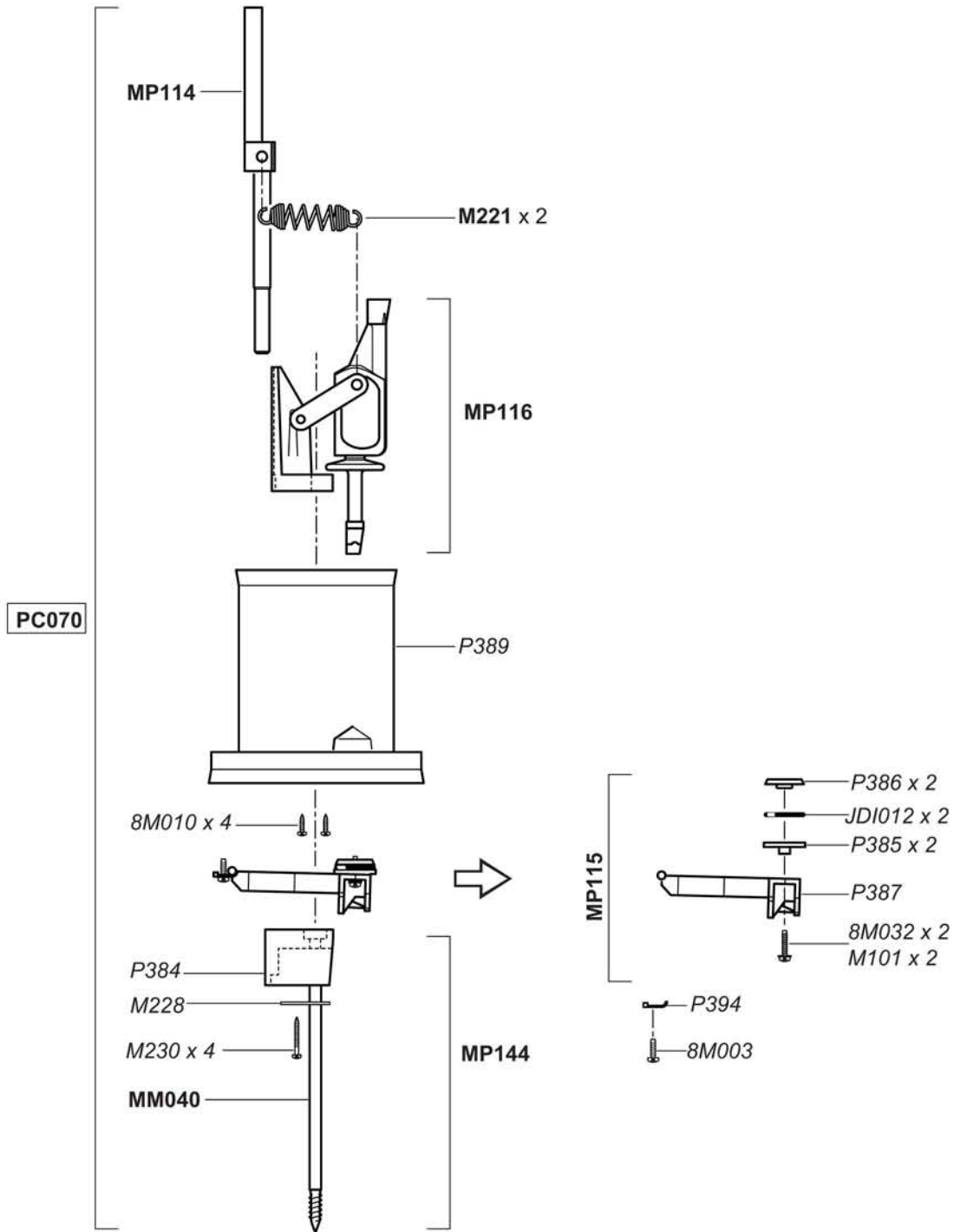
D45RE8
11/03

20 GPM - 1:33 - 1:13
7 - 70 psi



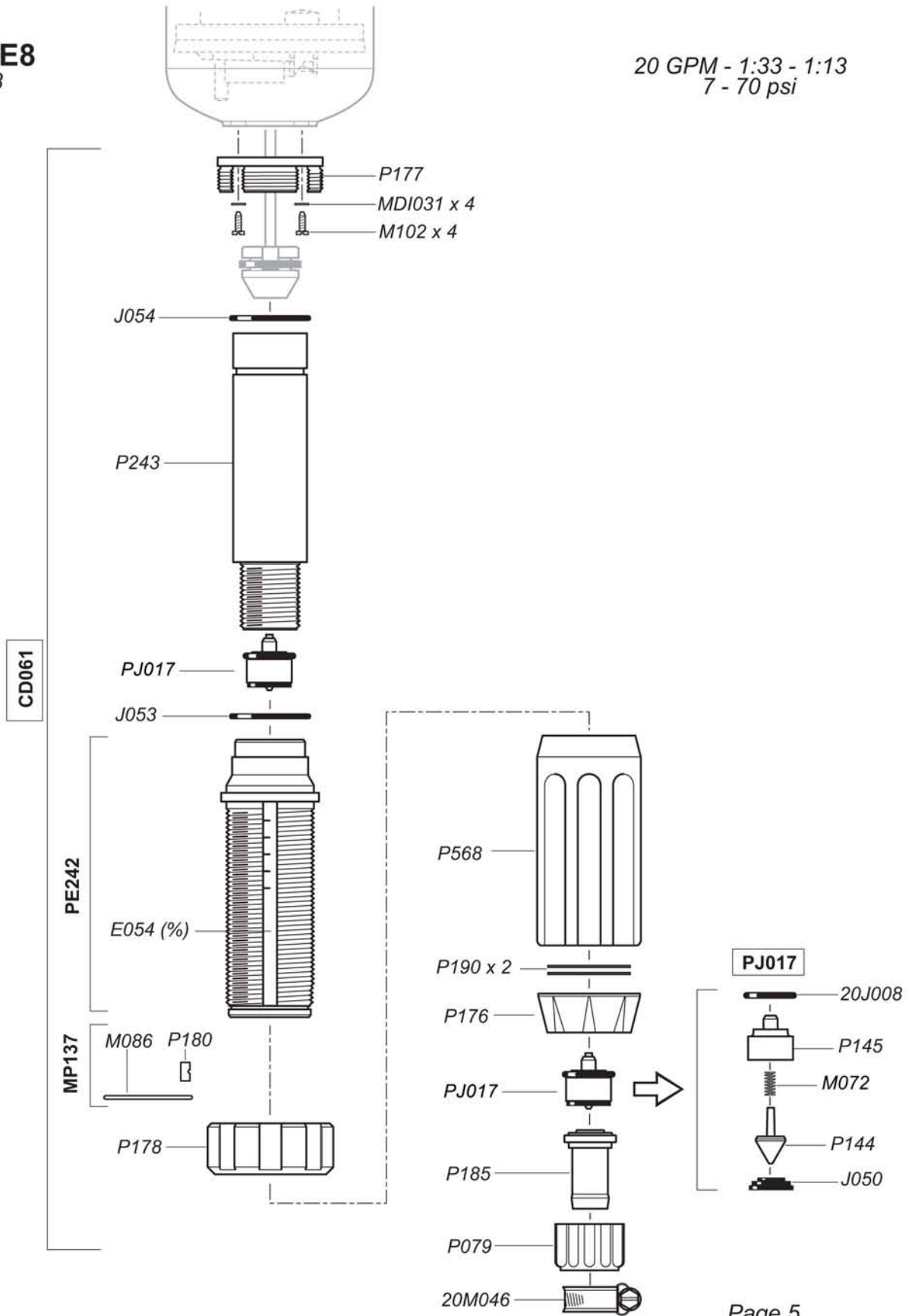
D45RE8
11/03

20 GPM - 1:33 - 1:13
7 - 70 psi



D45RE8
11/03

20 GPM - 1:33 - 1:13
7 - 70 psi



D45RE8
11/03

20 GPM - 1:33 - 1:13
7 - 70 psi

