



DOSATRON®

WATER POWERED DOSING TECHNOLOGY

SCHEMATICS

Dosatron Liquid Dispenser Model # D45RE8IE – 20 GPM

1:33 – 1:13

7 – 70 PSI

1" NPT Connection

Serial #07081105 and above

Suggested Installation:

200 mesh/80 micron water filter prior to unit

One-way check valve downstream from unit for water hammer protection

Suggested Maintenance Interval:

Replace injection seals every 12 months

DOSATRON SALES & SERVICE - NORTH & CENTRAL AMERICA

Dosatron International, Inc.

Phone: 727-443-5404 Service: (800) 523-8499

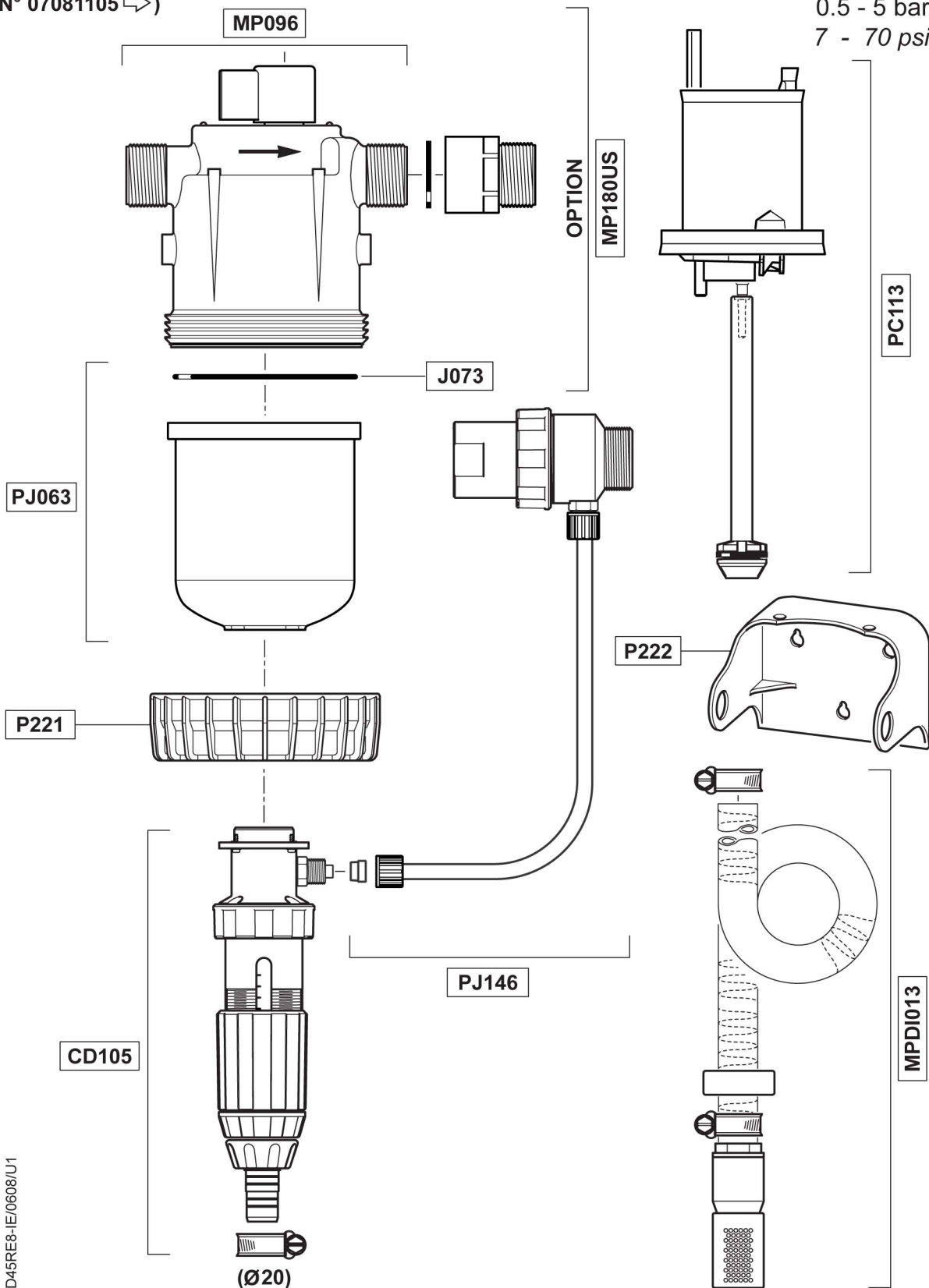
Fax: 727-447-0591

www.dosatronUSA.com

D45RE8-IE

N° SERIE
(N° 07081105 ⇒)

4.5 m³/h - 3 - 8%
20 GPM - 1:33 - 1:12.5
0.5 - 5 bar
7 - 70 psi



© DOSATRON INTERNATIONAL S.A.S. 2008
D45RE8-IE/0608/U1

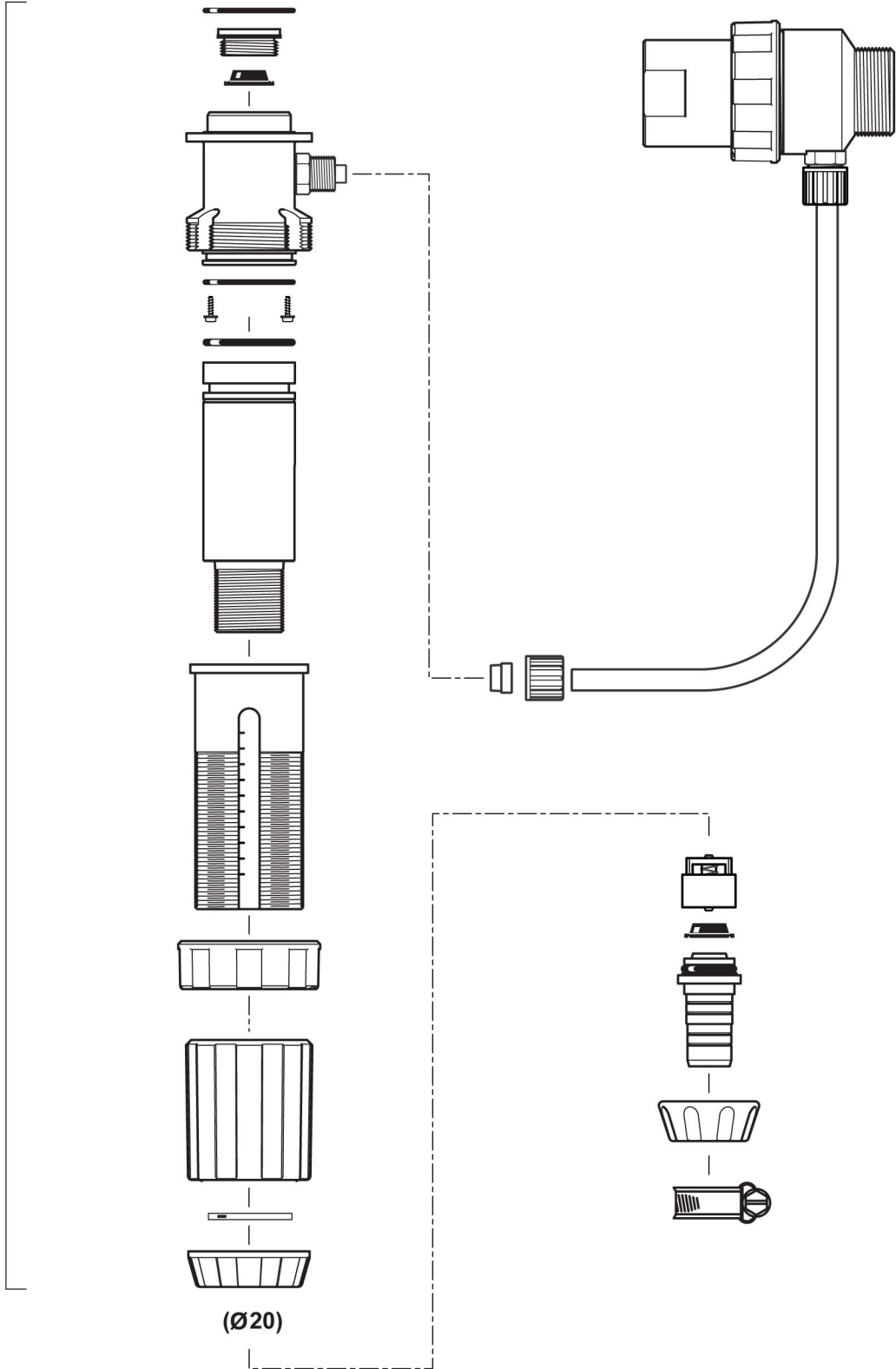
D45RE8-IE

N° SERIE
(N° 07081105 ⇒)

4.5 m³/h - 3 - 8%
20 GPM - 1:33 - 1:12.5
0.5 - 5 bar
7 - 70 psi

CD105

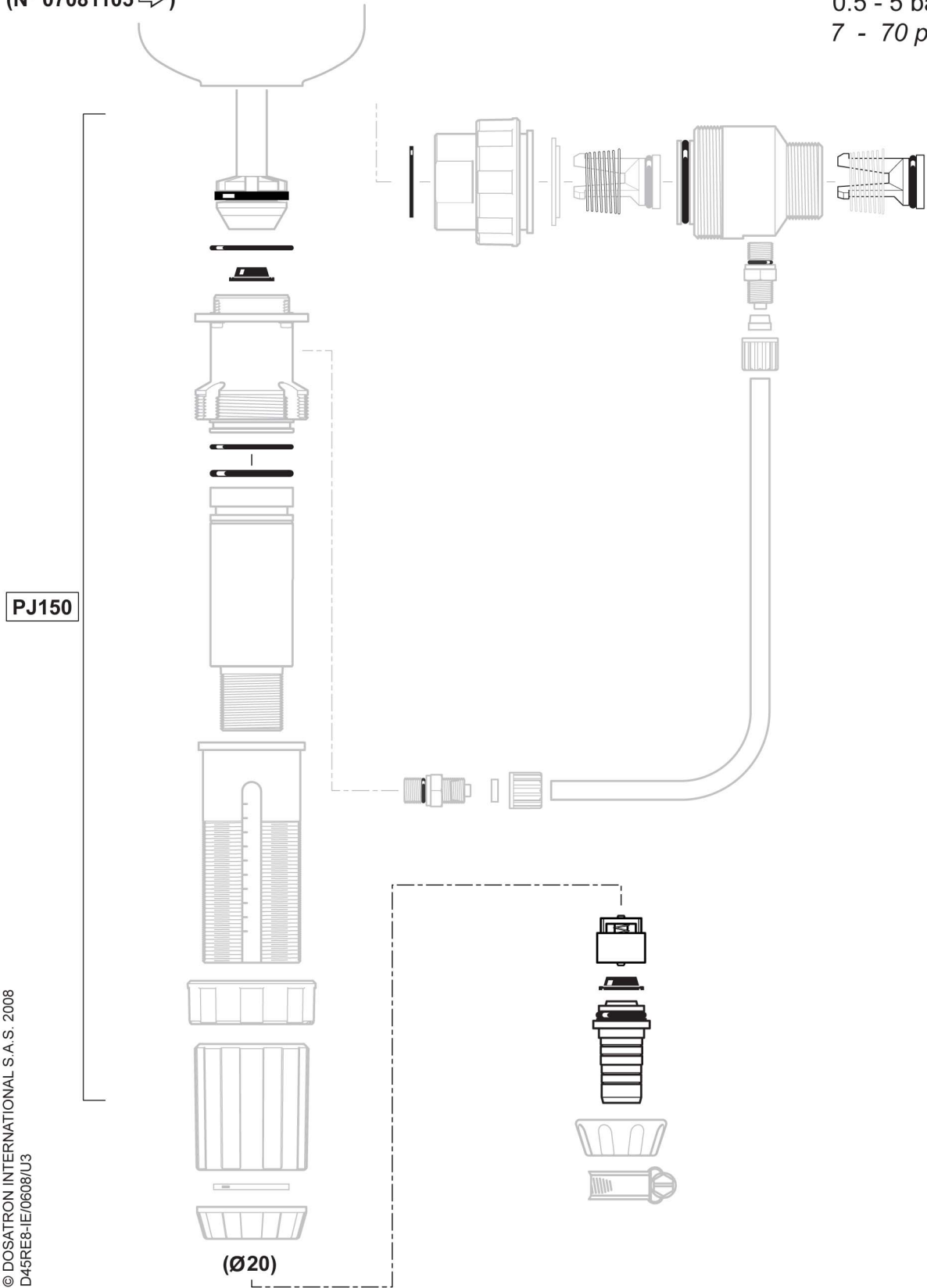
© DOSATRON INTERNATIONAL S.A.S. 2008
D45RE8-IE/0608/U2



D45RE8-IE

N° SERIE
(N° 07081105 ⇒)

4.5 m³/h - 3 - 8%
20 GPM - 1:33 - 1:12.5
0.5 - 5 bar
7 - 70 psi



© DOSATRON INTERNATIONAL S.A.S. 2008
D45RE8-IE/0608/U3