



DOSATRON®

WATER POWERED DOSING TECHNOLOGY

SCHEMATICS

Dosatron Liquid Dispenser

Model # D45RE3IE – 20 GPM

1:200 – 1:33

7 – 70 PSI

Suggested Installation:

200 mesh/80 micron water filter prior to unit

One-way check valve downstream from unit for water hammer protection

Suggested Maintenance Interval:

Replace injection seals every 12 months

DOSATRON SALES & SERVICE - NORTH & CENTRAL AMERICA

Dosatron International, Inc.

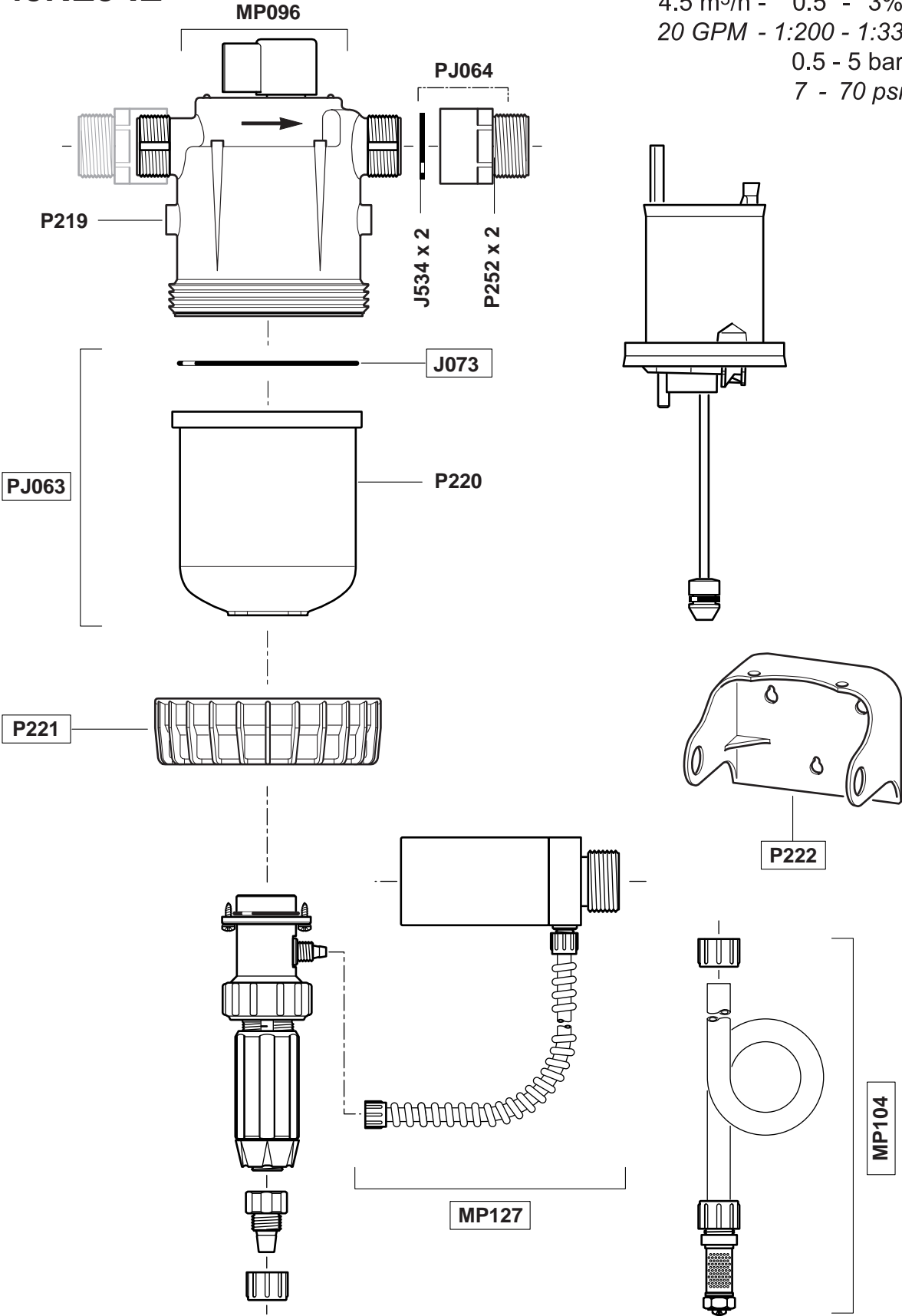
Phone: 727-443-5404 Service: (800) 523-8499

Fax: 727-447-0591

www.dosatronUSA.com

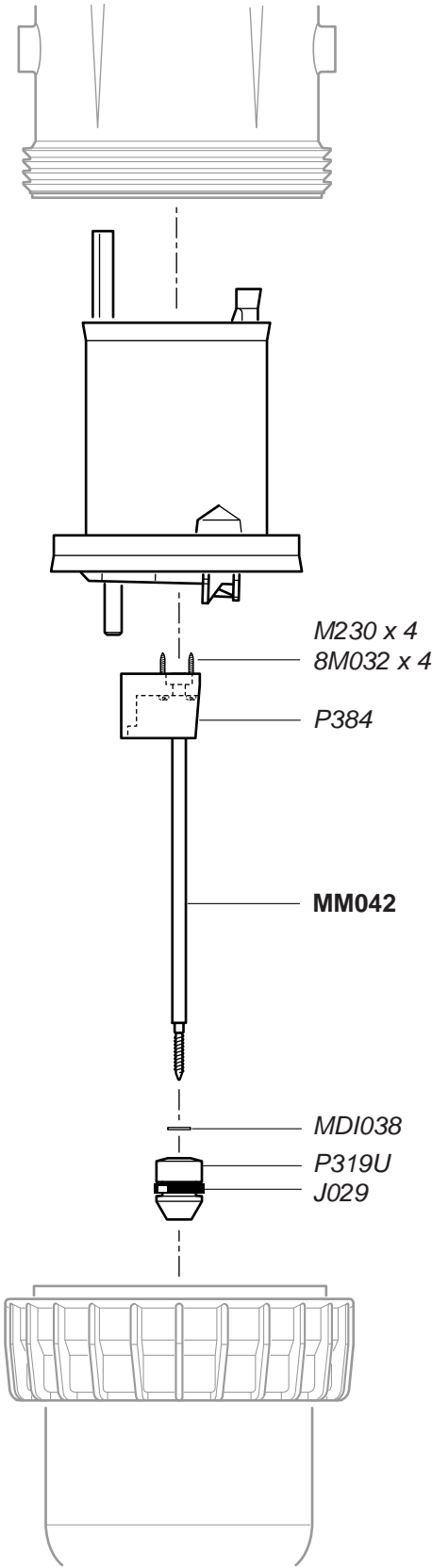
D45RE3-IE

4.5 m³/h - 0.5 - 3%
 20 GPM - 1:200 - 1:33
 0.5 - 5 bar
 7 - 70 psi



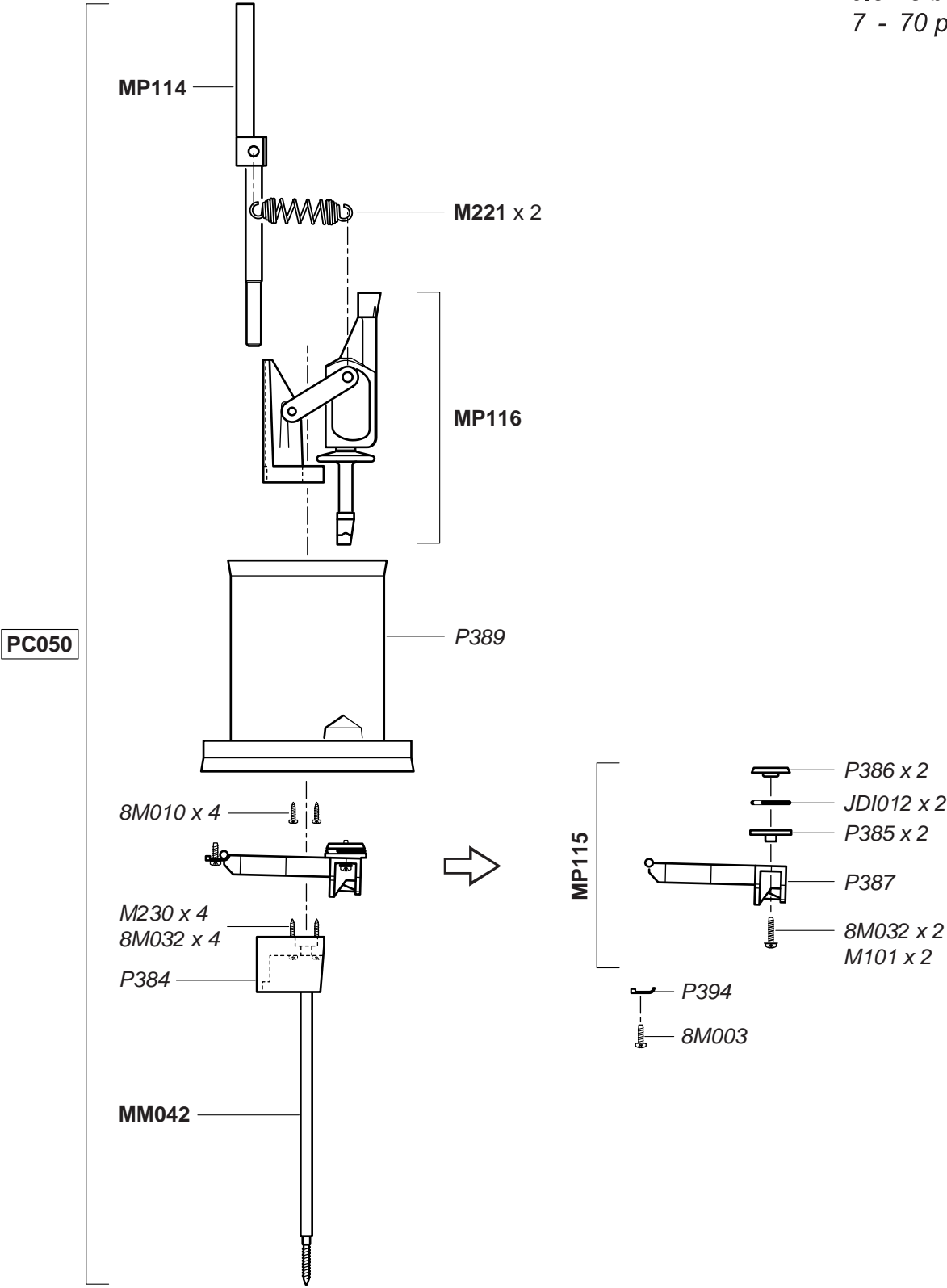
D45RE3-IE

4.5 m³/h - 0.5 - 3%
20 GPM - 1:200 - 1:33
0.5 - 5 bar
7 - 70 psi



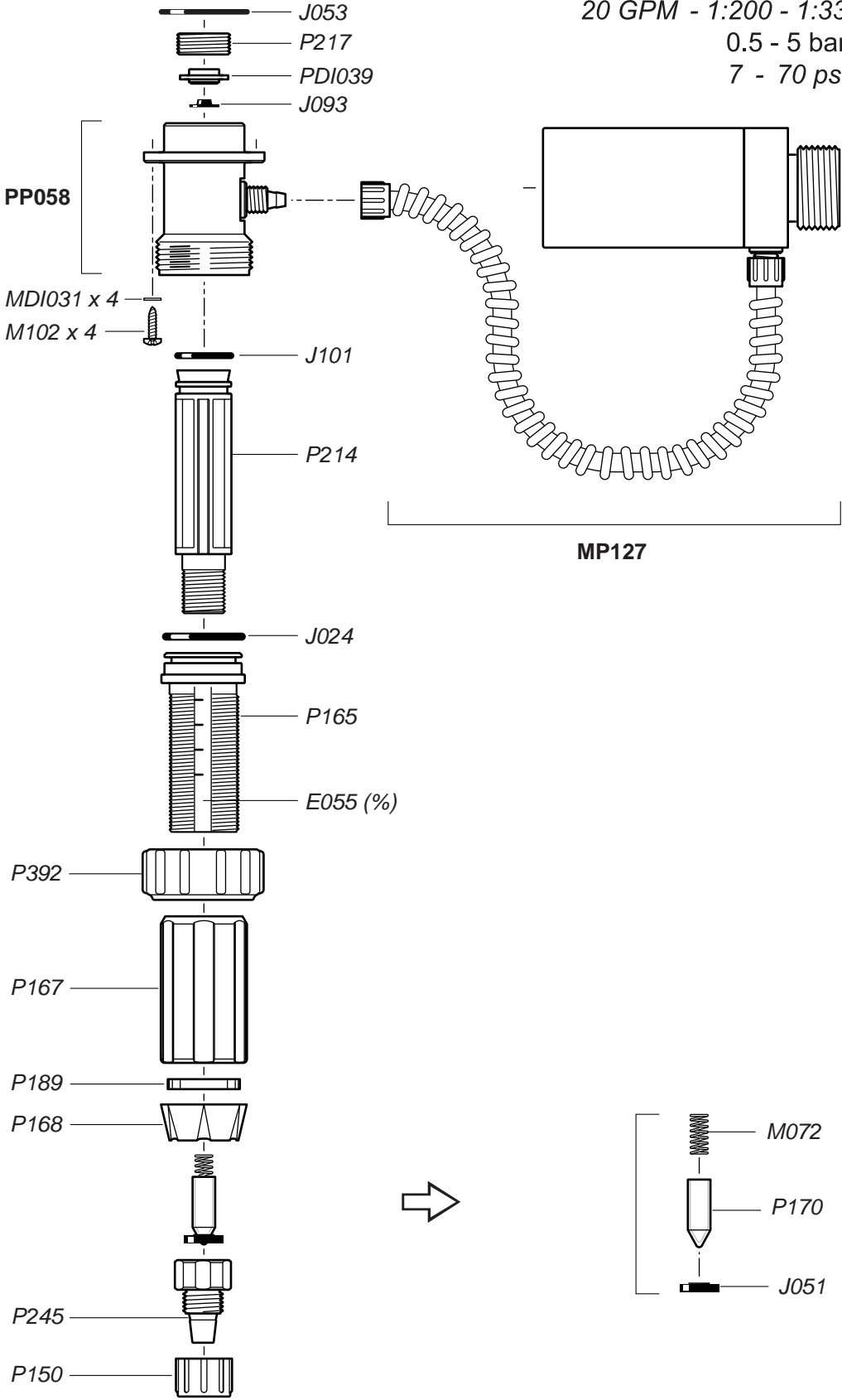
D45RE3-IE

4.5 m³/h - 0.5 - 3%
 20 GPM - 1:200 - 1:33
 0.5 - 5 bar
 7 - 70 psi



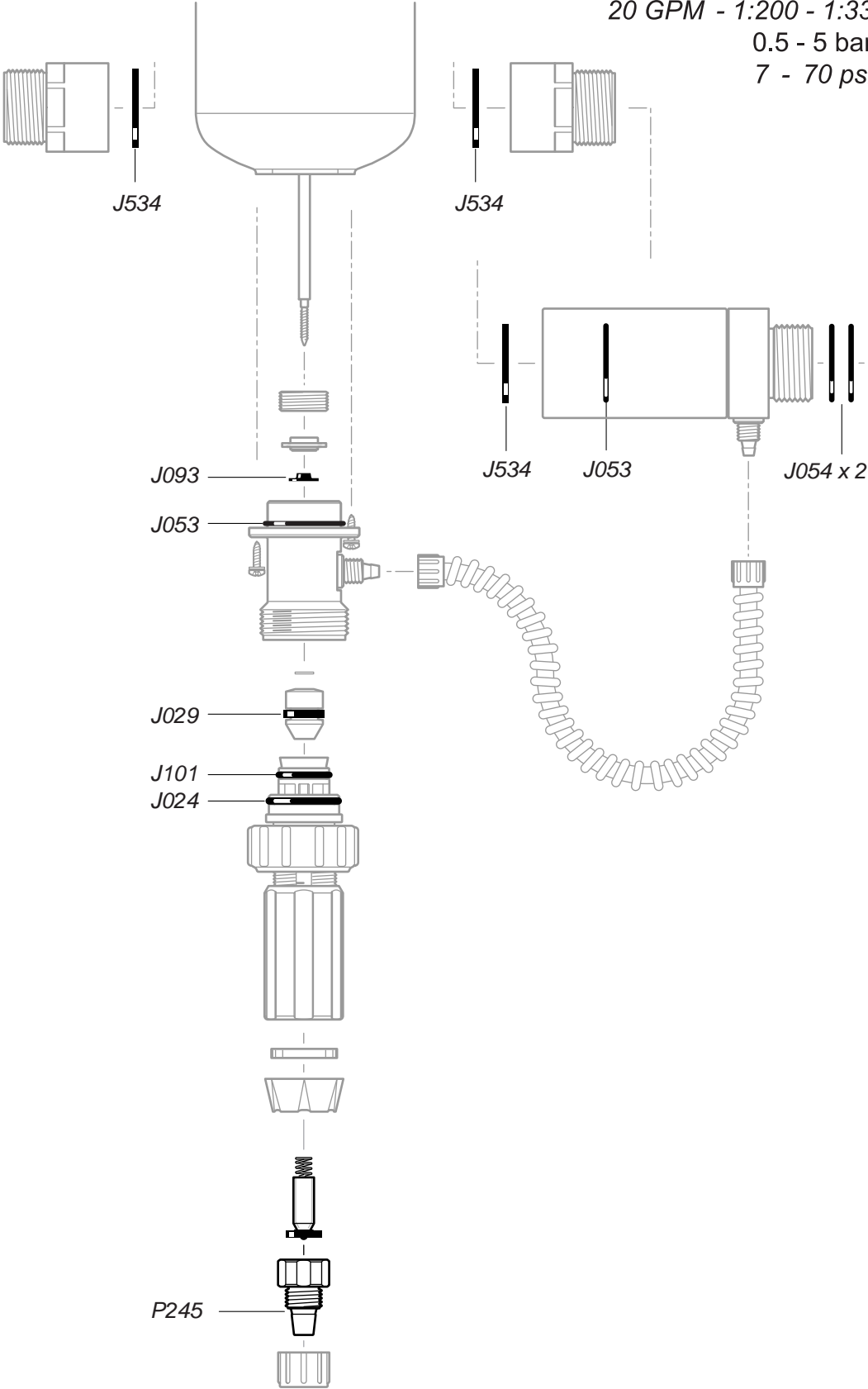
D45RE3-IE

4.5 m³/h - 0.5 - 3%
 20 GPM - 1:200 - 1:33
 0.5 - 5 bar
 7 - 70 psi



D45RE3-IE

4.5 m³/h - 0.5 - 3%
20 GPM - 1:200 - 1:33
0.5 - 5 bar
7 - 70 psi



D45RE3-IE

4.5 m³/h - 0.5 - 3%
20 GPM - 1:200 - 1:33
0.5 - 5 bar
7 - 70 psi

