



DOSATRON®

WATER POWERED DOSING TECHNOLOGY

SCHEMATICS

Dosatron Liquid Dispenser **Model # DI11 – 11 GPM**

1:125

4.3 – 85 PSI

$\frac{3}{4}$ " NPT connection

Suggested Installation:

200 mesh/80 micron water filter prior to unit

One-way check valve downstream from unit for water hammer protection

Suggested Maintenance Interval:

Replace injection seals every 12 months

DOSATRON SALES & SERVICE - NORTH & CENTRAL AMERICA

Dosatron International, Inc.

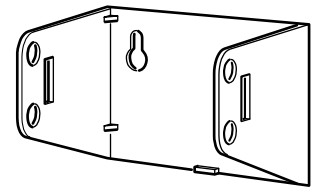
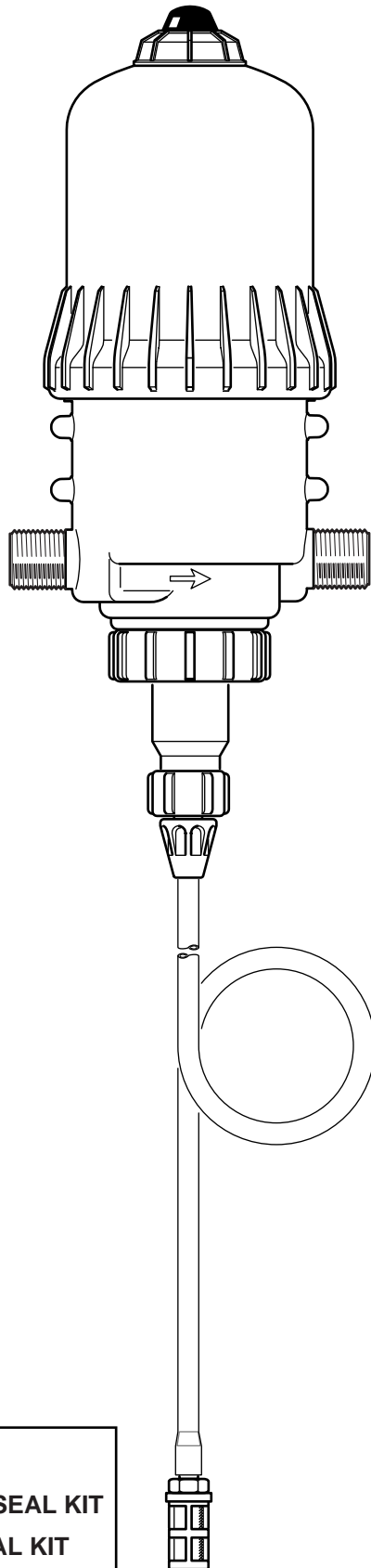
Phone: 727-443-5404 Service: (800) 523-8499

Fax: 727-447-0591

www.dosatronUSA.com

DI11

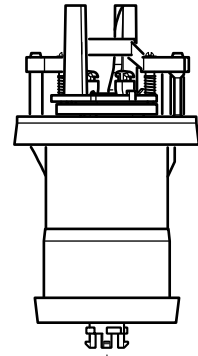
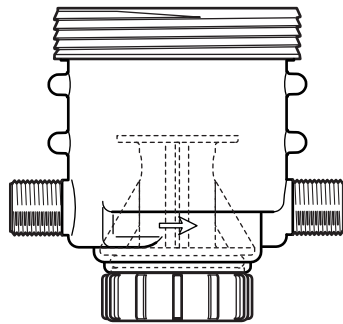
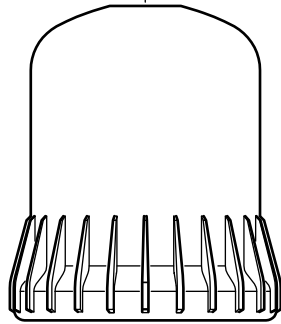
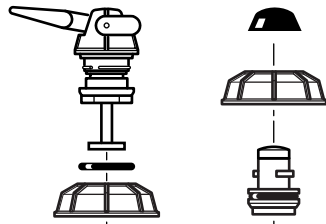
2.5 m³/h - 0.8%
11 GPM - 1:125
0.3 - 6 bar
4.3 - 85 psi



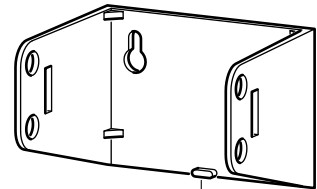
- EDDI09- SEAL KIT
- EMDI001- P1,P2 MOTOR SEAL KIT
- EMDI003- PX MOTOR SEAL KIT

DI11

2.5 m³/h - 0.8%
11 GPM - 1:125
0.3 - 6 bar
4.3 - 85 psi

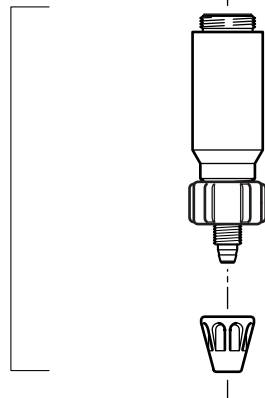


PCDI011

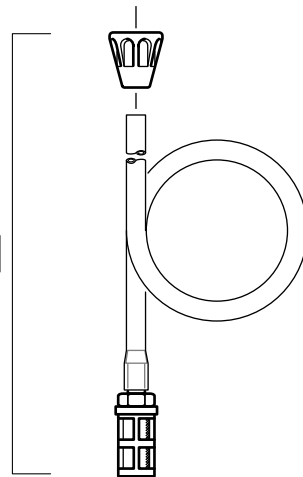


P041

CDDI056

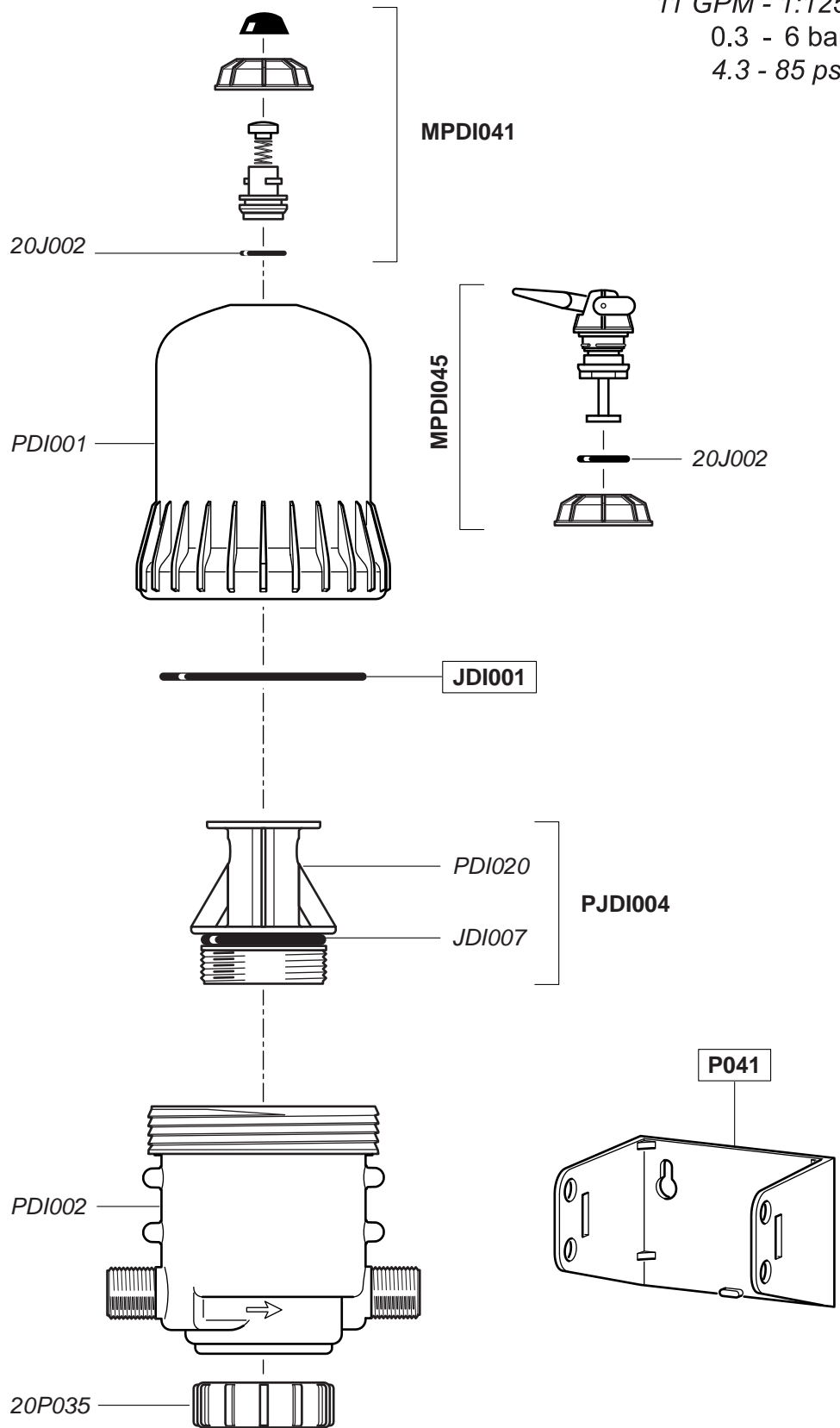


MPDI005



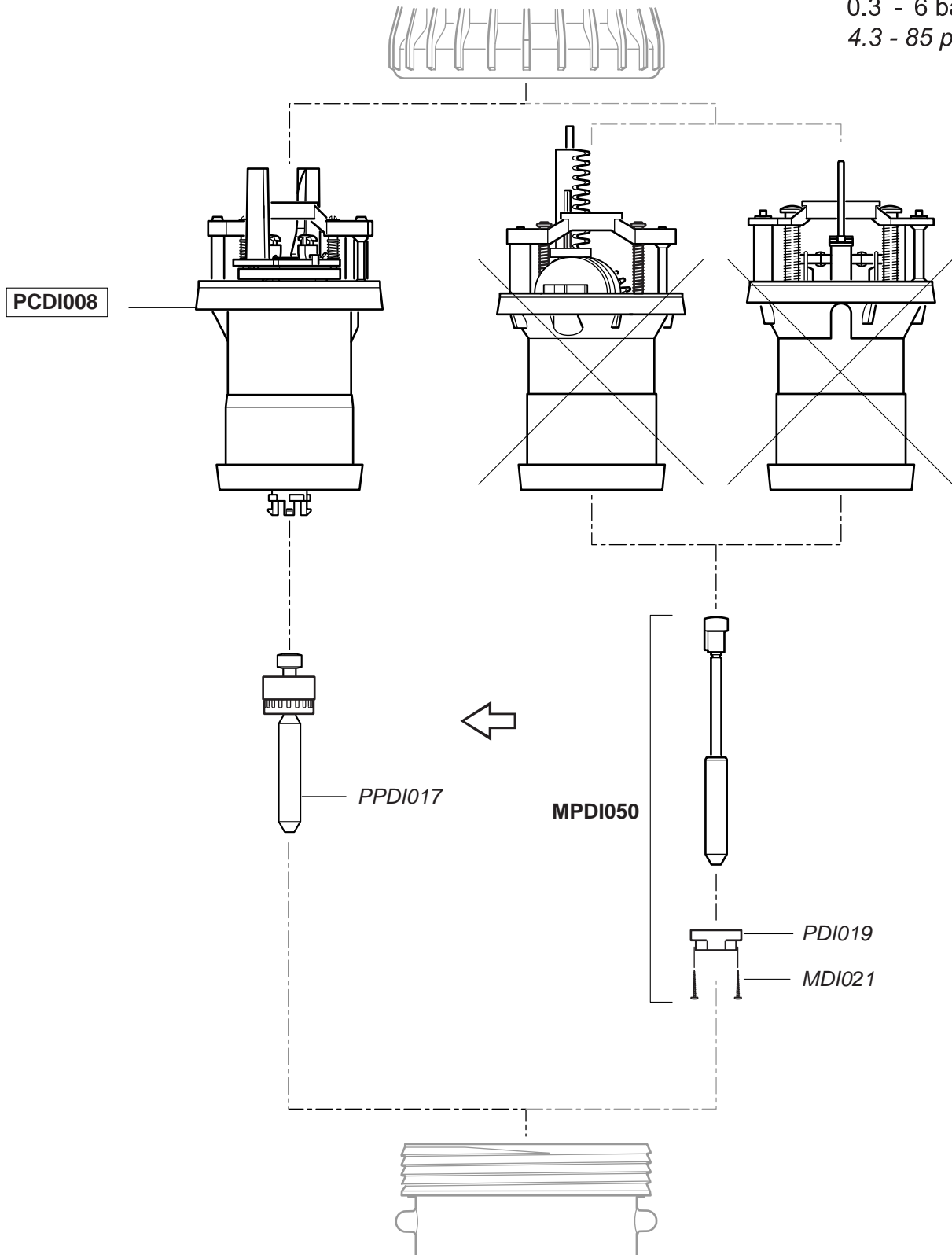
DI11

2.5 m³/h - 0.8%
11 GPM - 1:125
0.3 - 6 bar
4.3 - 85 psi



DI11

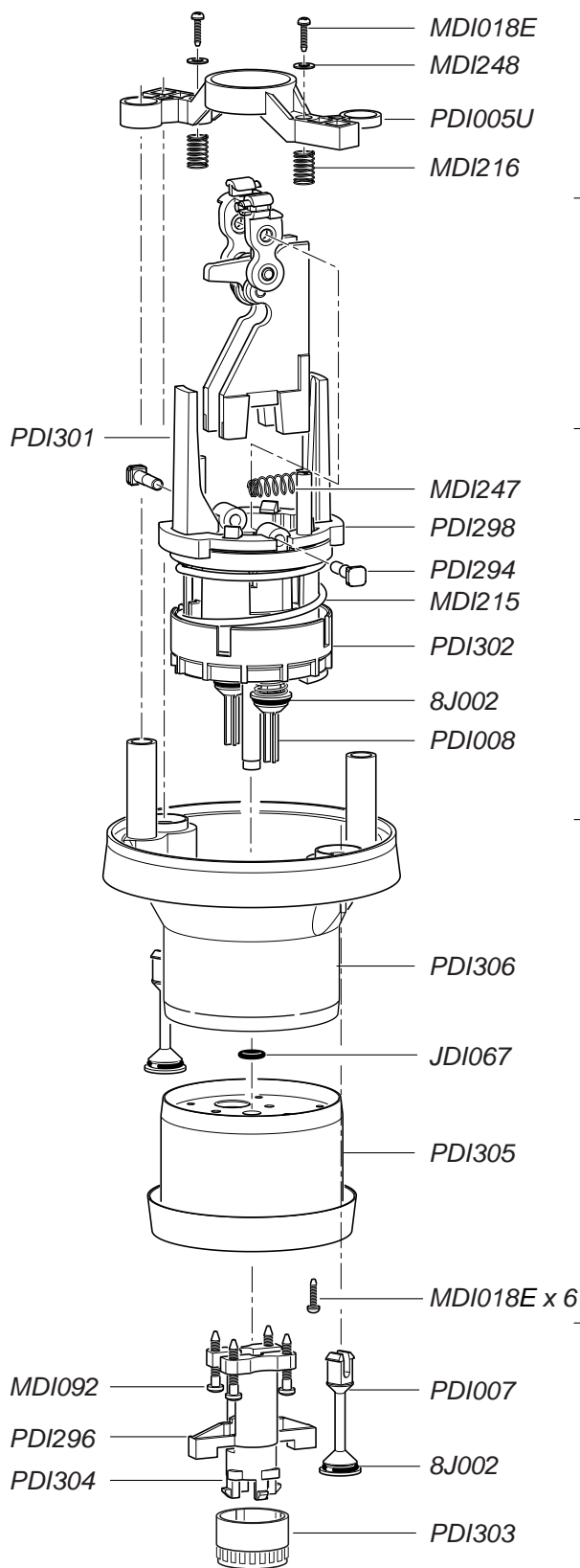
2.5 m³/h - 0.8%
11 GPM - 1:125
0.3 - 6 bar
4.3 - 85 psi



DI11

2.5 m³/h - 0.8%
 11 GPM - 1:125
 0.3 - 6 bar
 4.3 - 85 psi

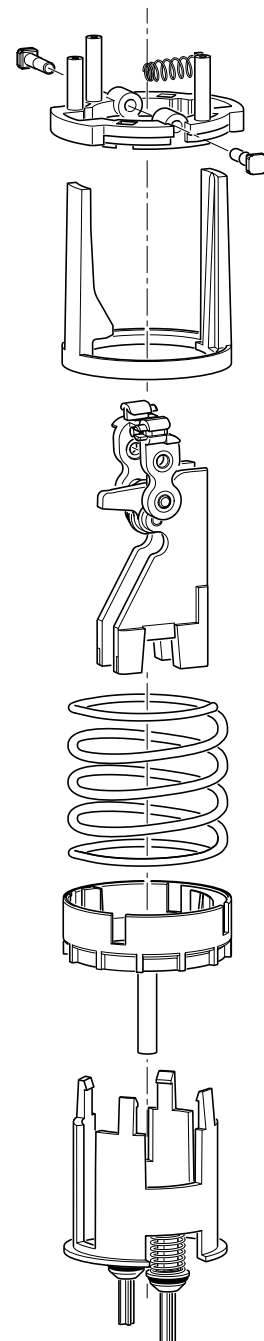
PCDI008



MPDI097

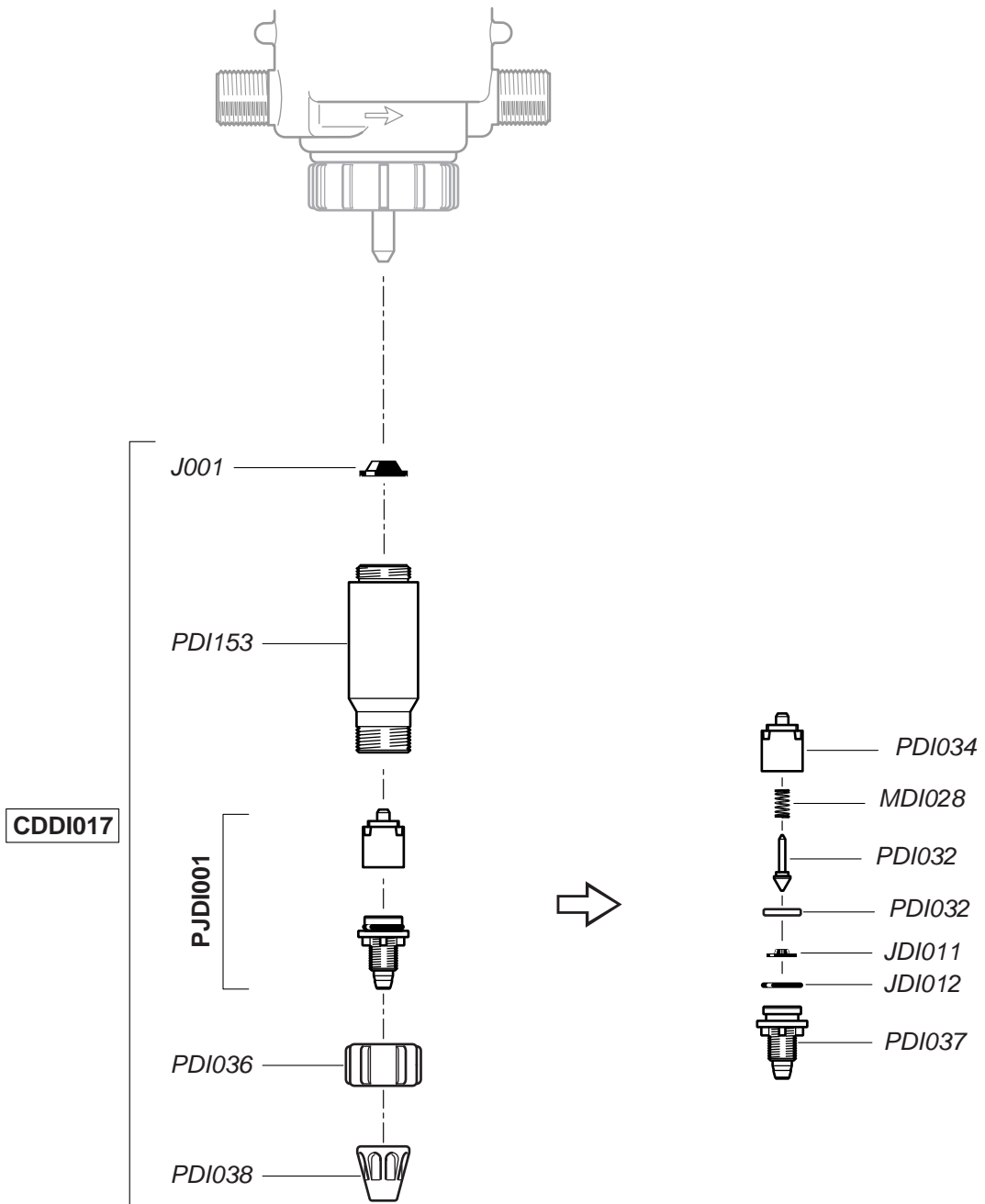


MPDI098



DI11

2.5 m³/h - 0.8%
11 GPM - 1:125
0.3 - 6 bar
4.3 - 85 psi



DI11

2.5 m³/h - 0.8%
11 GPM - 1:125
0.3 - 6 bar
4.3 - 85 psi

