



DOSATRON®

WATER POWERED DOSING TECHNOLOGY

SCHEMATICS

Dosatron Liquid Dispenser **Model # DI110 – 11 GPM**

1:100 – 1:10

7 – 57 PSI

Suggested Installation:

200 mesh/80 micron water filter prior to unit

One-way check valve downstream from unit for water hammer protection

Suggested Maintenance Interval:

Replace injection seals every 12 months

DOSATRON SALES & SERVICE - NORTH & CENTRAL AMERICA

Dosatron International, Inc.

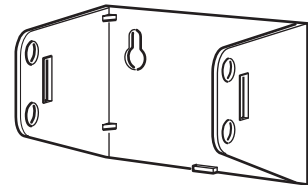
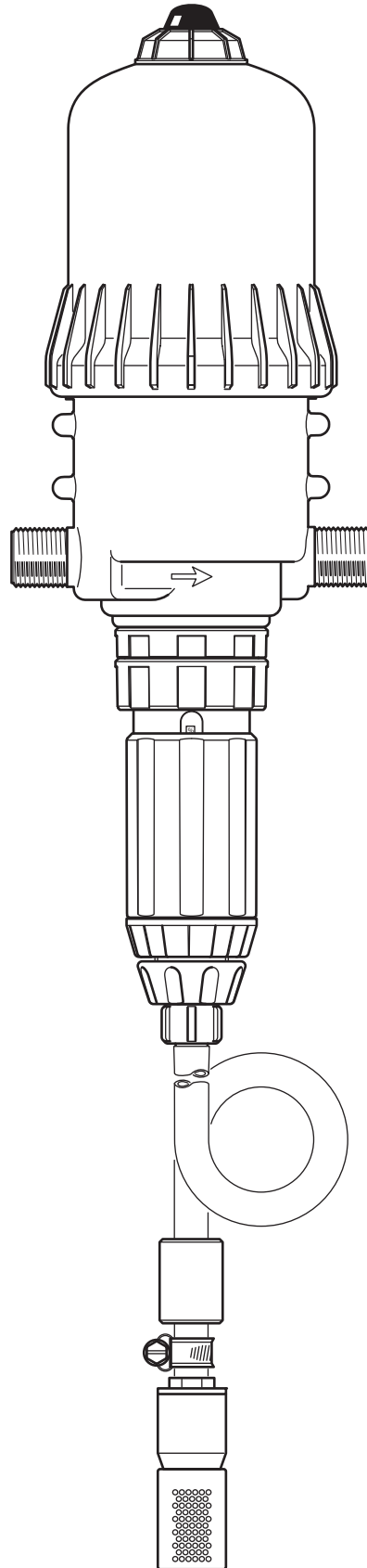
Phone: 727-443-5404 Service: (800) 523-8499

Fax: 727-447-0591

www.dosatronUSA.com

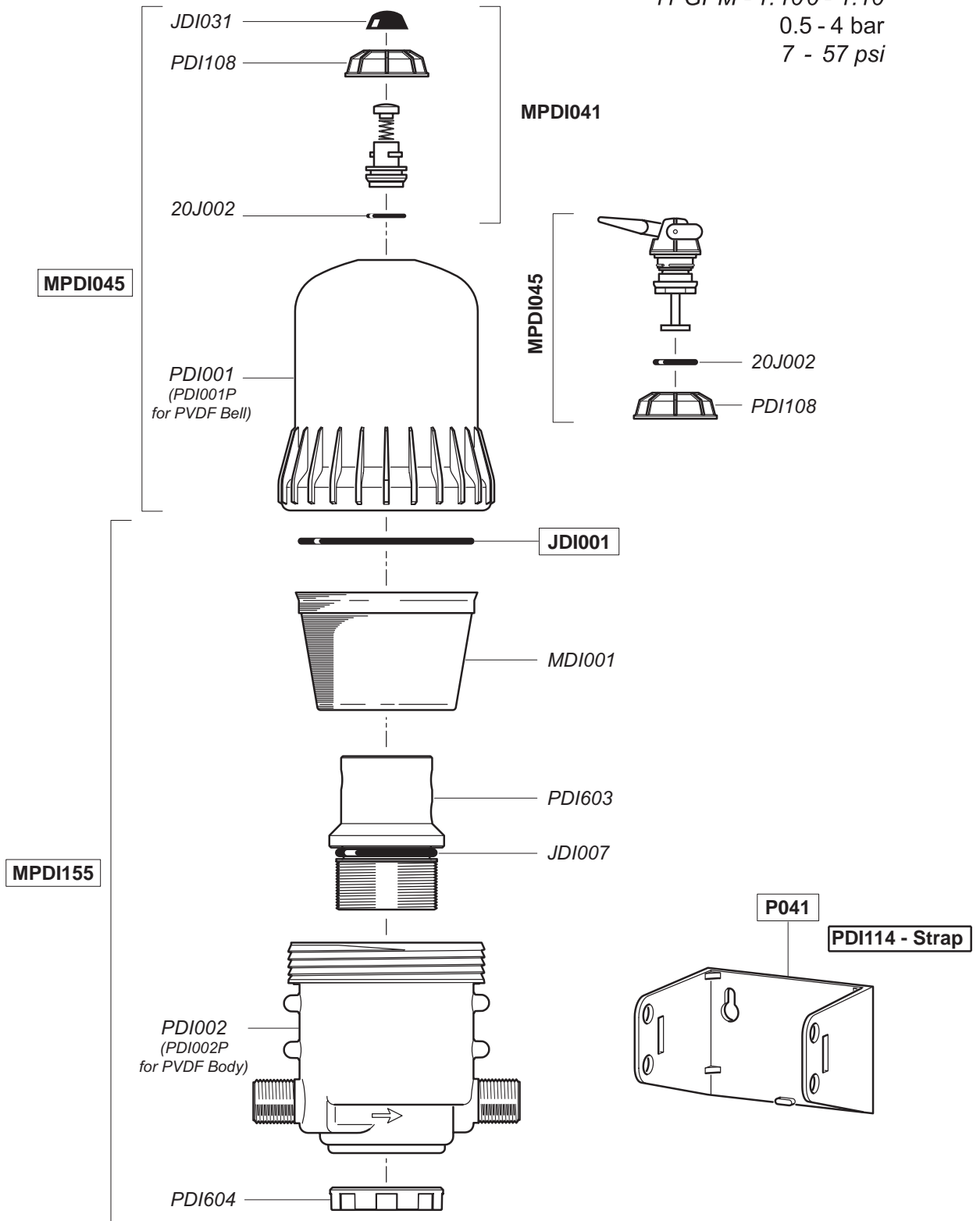
DI110

2.5 m³/h - 1 - 10%
11 GPM - 1:100 - 1:10
0.5 - 4 bar
7 - 57 psi



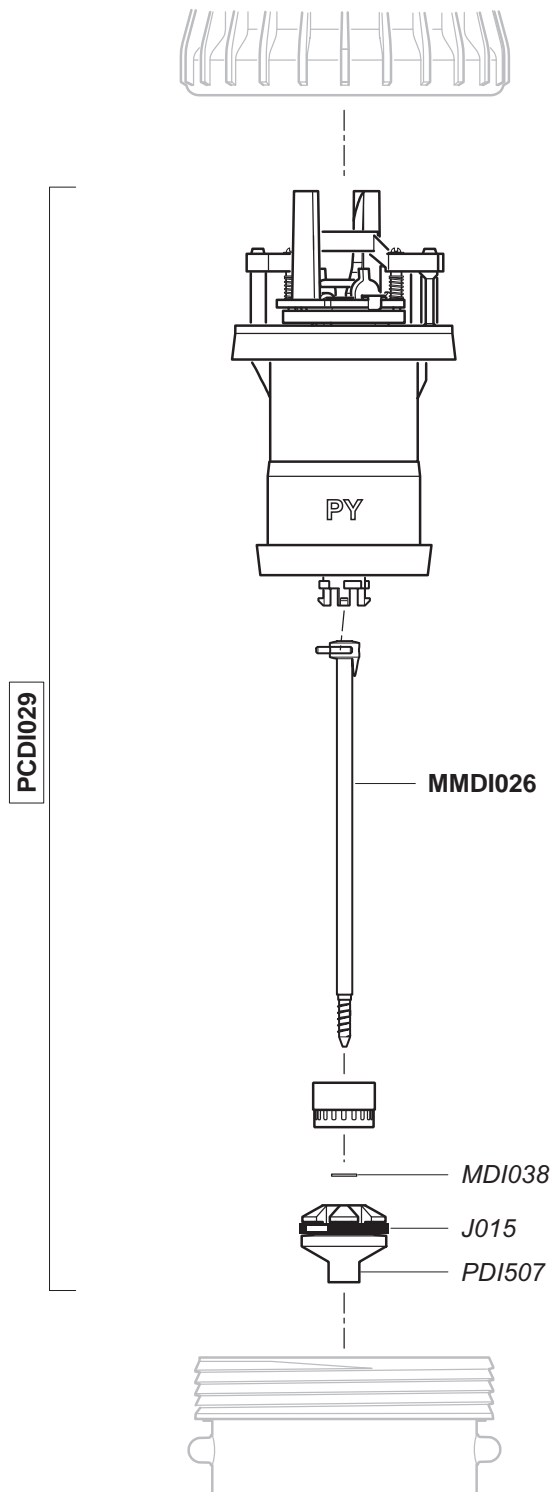
DI110

2.5 m³/h - 1 - 10%
 11 GPM - 1:100 - 1:10
 0.5 - 4 bar
 7 - 57 psi

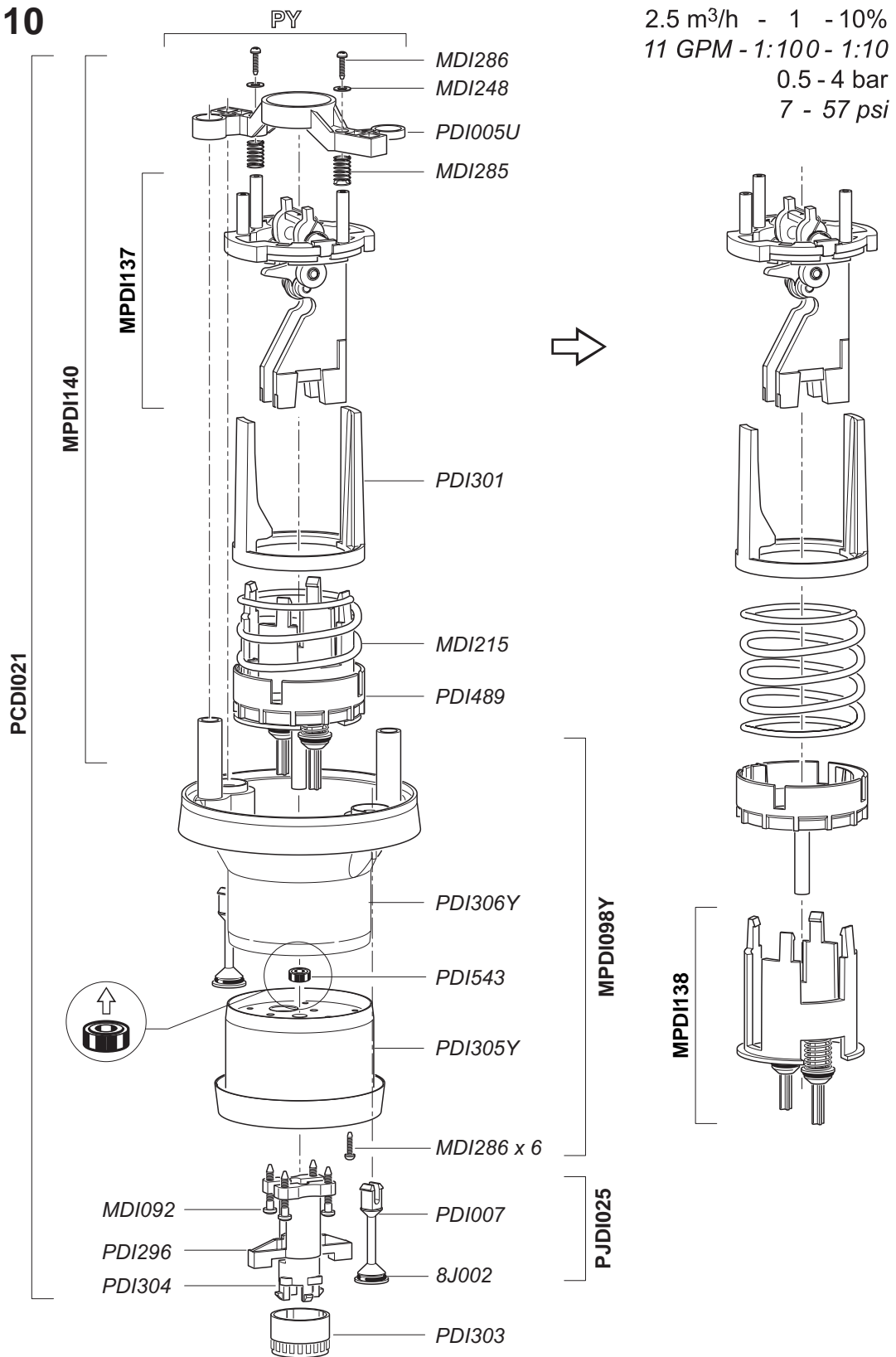


DI110

2.5 m³/h - 1 - 10%
11 GPM - 1:100 - 1:10
0.5 - 4 bar
7 - 57 psi

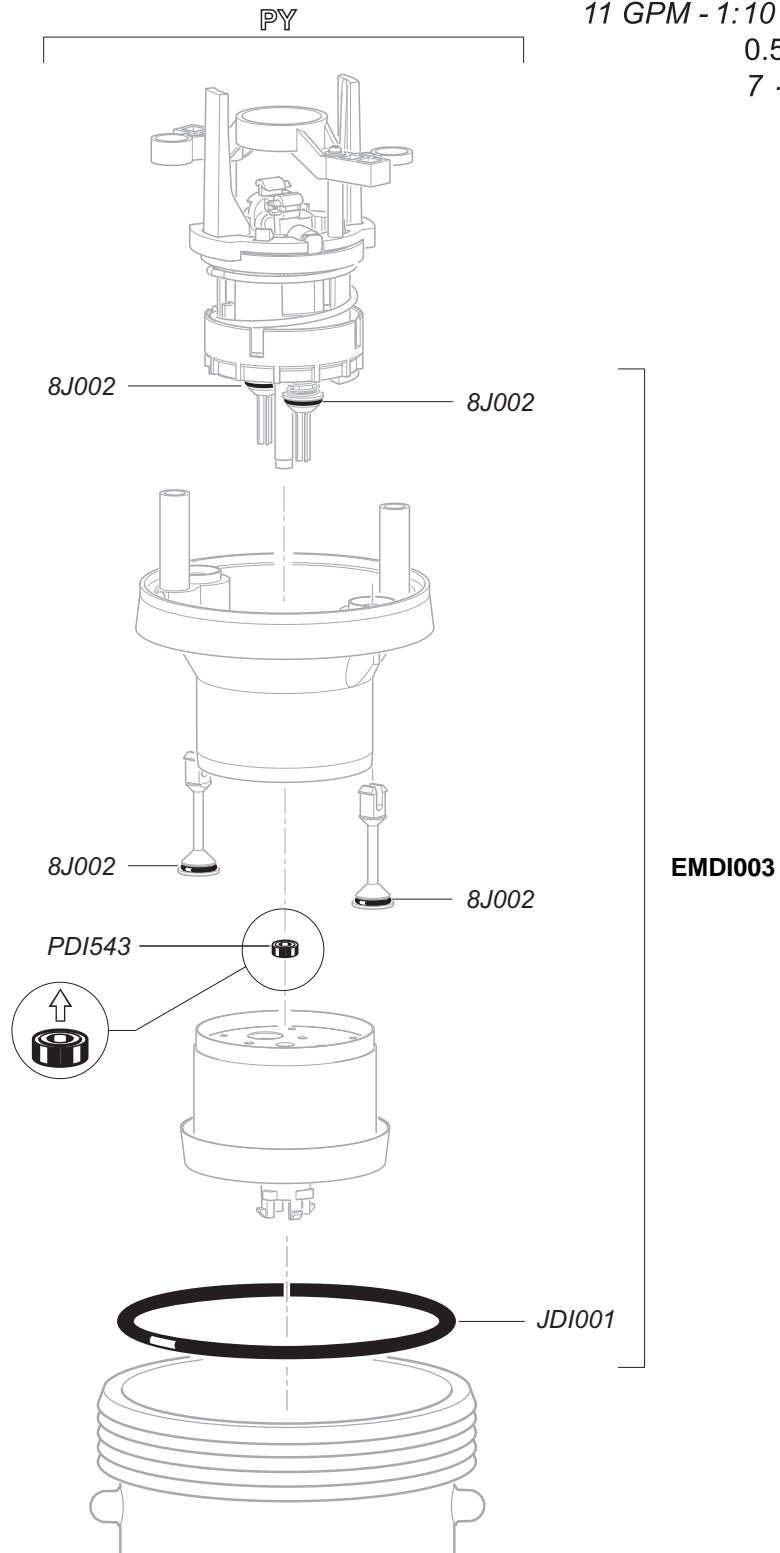


DI110



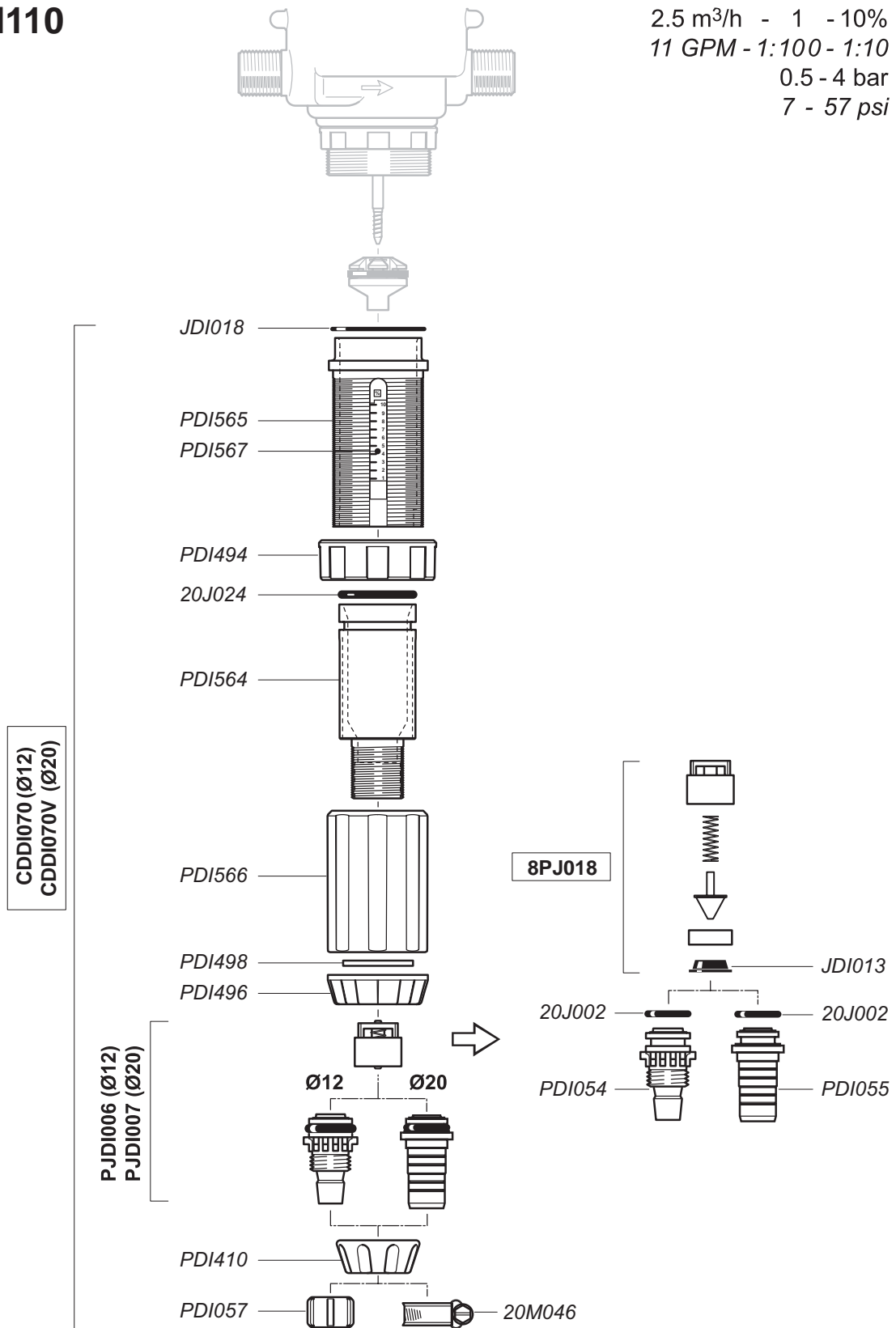
DI110

2.5 m³/h - 1 - 10%
11 GPM - 1:100 - 1:10
0.5 - 4 bar
7 - 57 psi



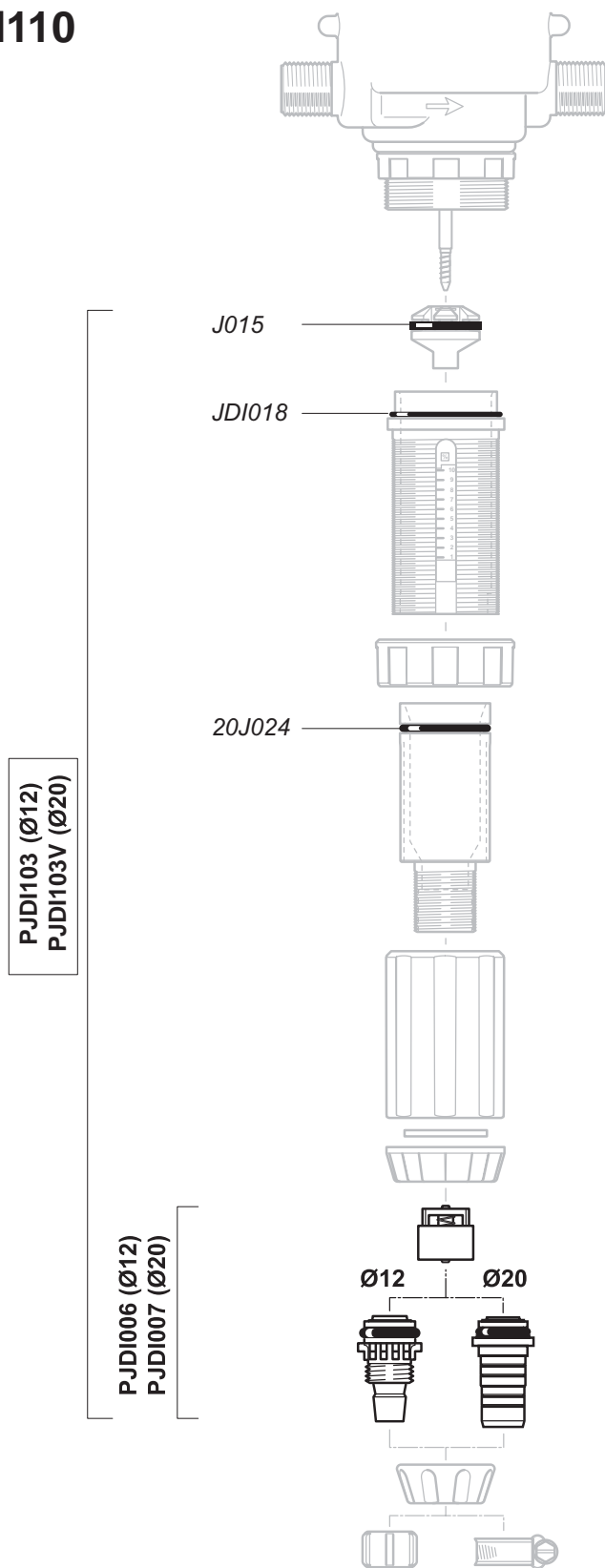
DI110

2.5 m³/h - 1 - 10%
 11 GPM - 1:100 - 1:10
 0.5 - 4 bar
 7 - 57 psi



DI110

2.5 m³/h - 1 - 10%
11 GPM - 1:100 - 1:10
0.5 - 4 bar
7 - 57 psi



DI110

2.5 m³/h - 1 - 10%
11 GPM - 1:100 - 1:10
0.5 - 4 bar
7 - 57 psi

Option "V"

