



DOSATRON®

WATER POWERED DOSING TECHNOLOGY

SCHEMATICS

Dosatron Liquid Dispenser **Model # D25RE5 – 11 GPM**

1:100 – 1:20

4.3 – 85 PSI

$\frac{3}{4}$ " NPT connection

Suggested Installation:

200 mesh/80 micron water filter prior to unit

One-way check valve downstream from unit for water hammer protection

Suggested Maintenance Interval:

Replace injection seals every 12 months

DOSATRON SALES & SERVICE - NORTH & CENTRAL AMERICA

Dosatron International, Inc.

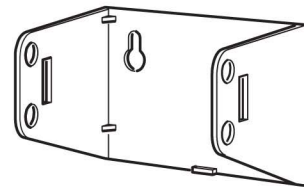
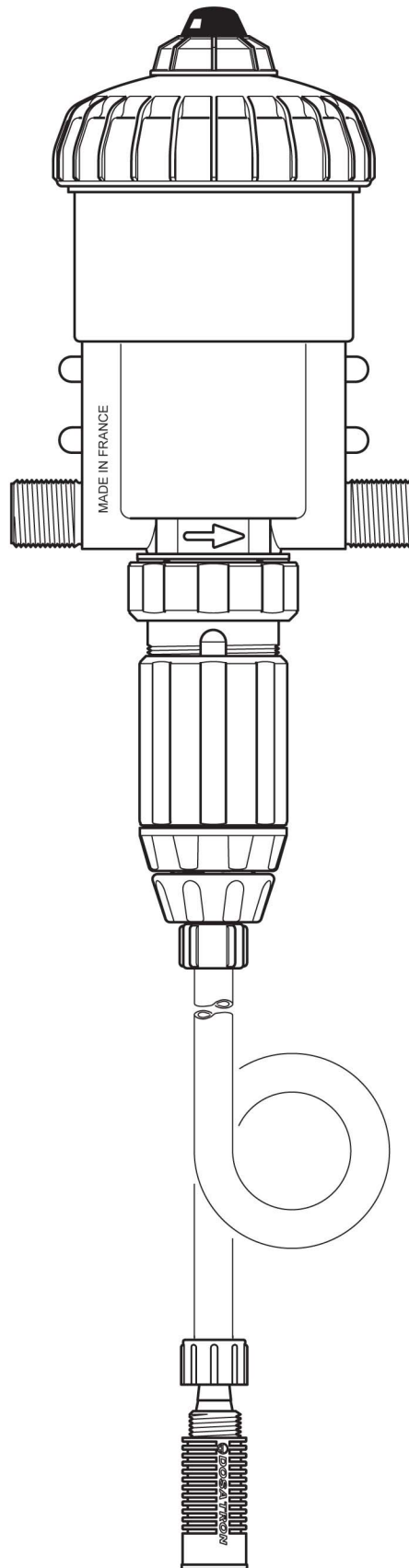
Phone: 727-443-5404 Service: (800) 523-8499

Fax: 727-447-0591

www.dosatronUSA.com

D25RE5

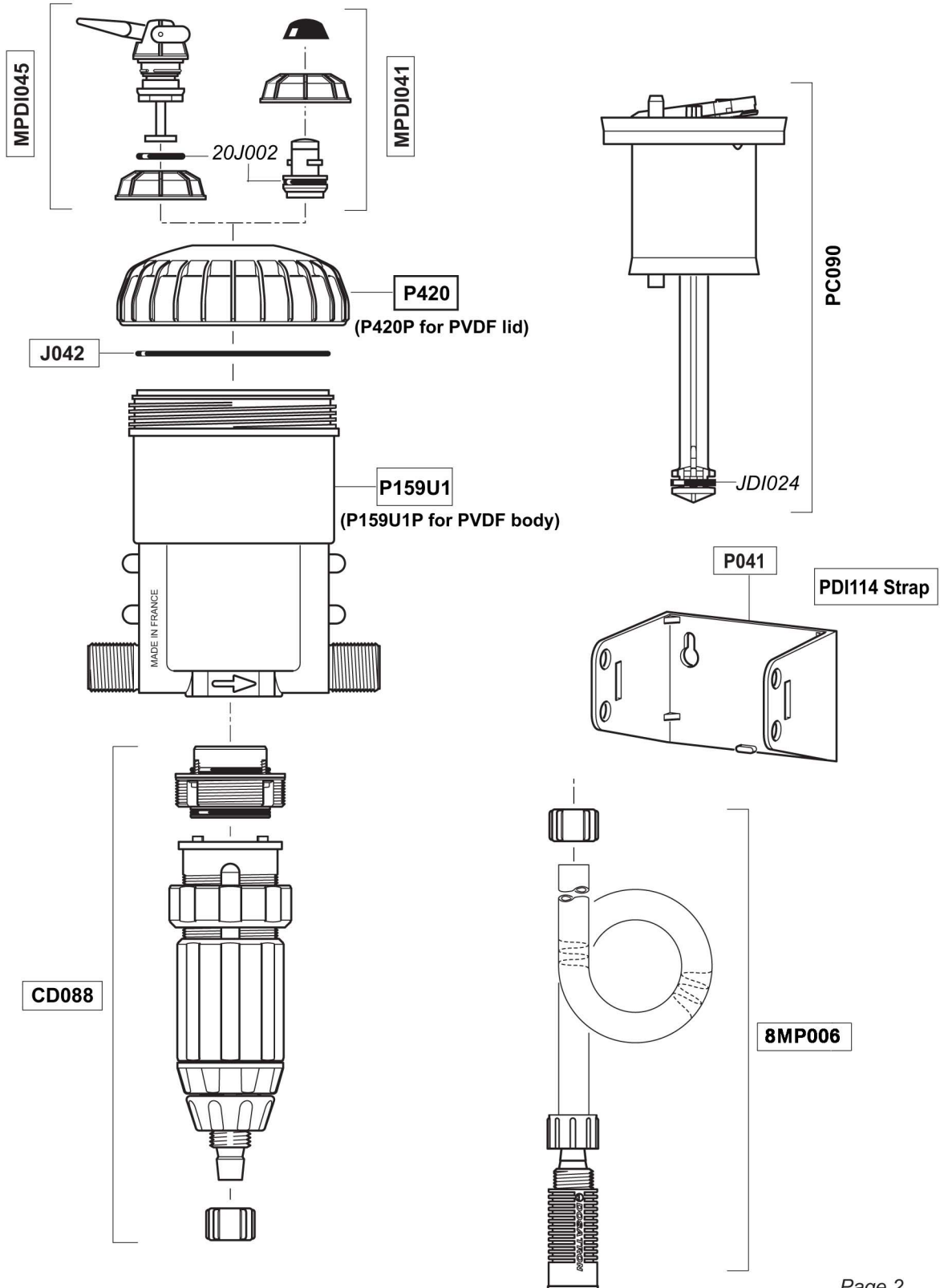
11 GPM - 1:100 - 1:20
4.3 - 85 psi



D25RE5

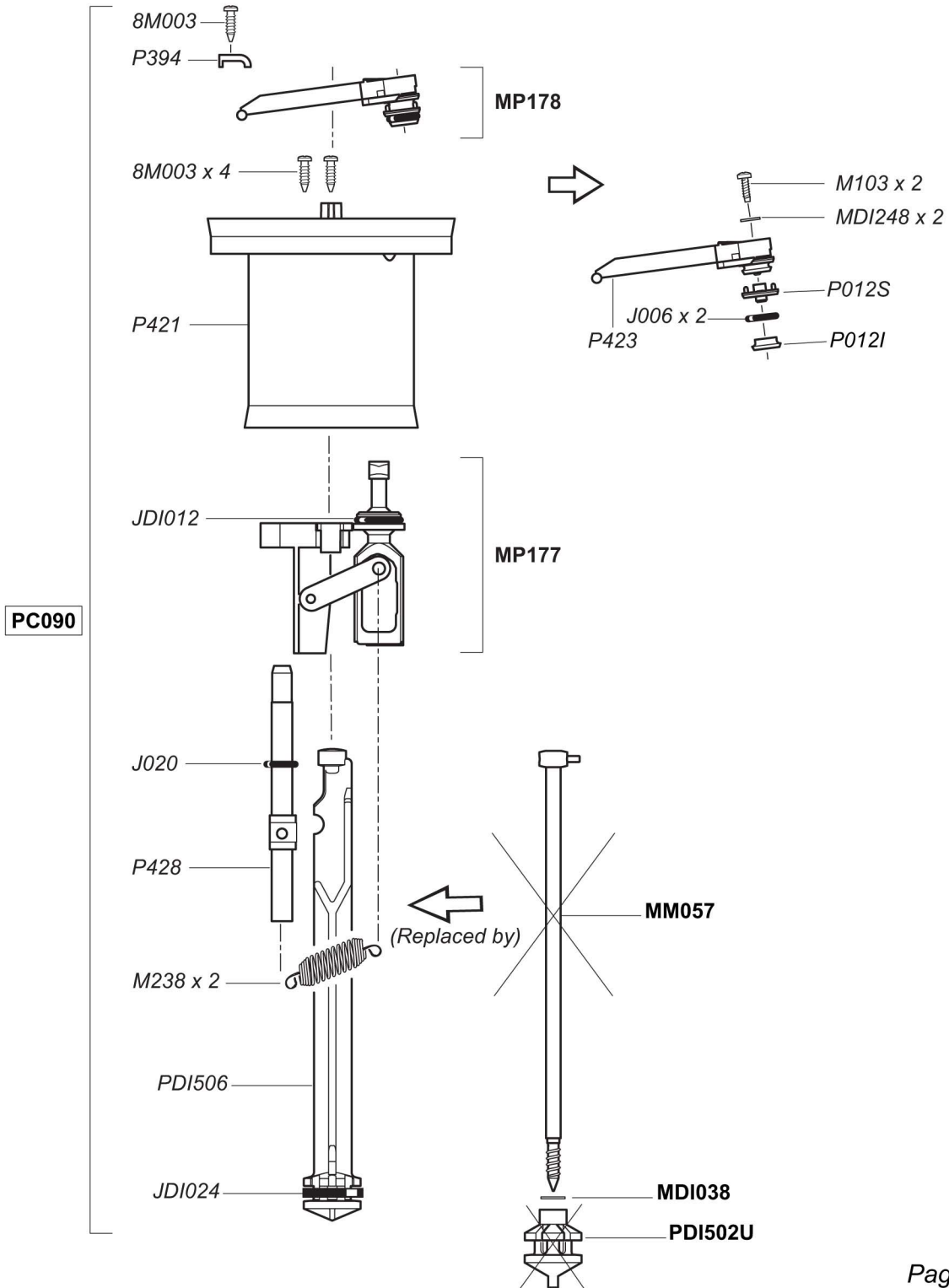
11/03

11 GPM - 1:100 - 1:20
4.3 - 85 psi



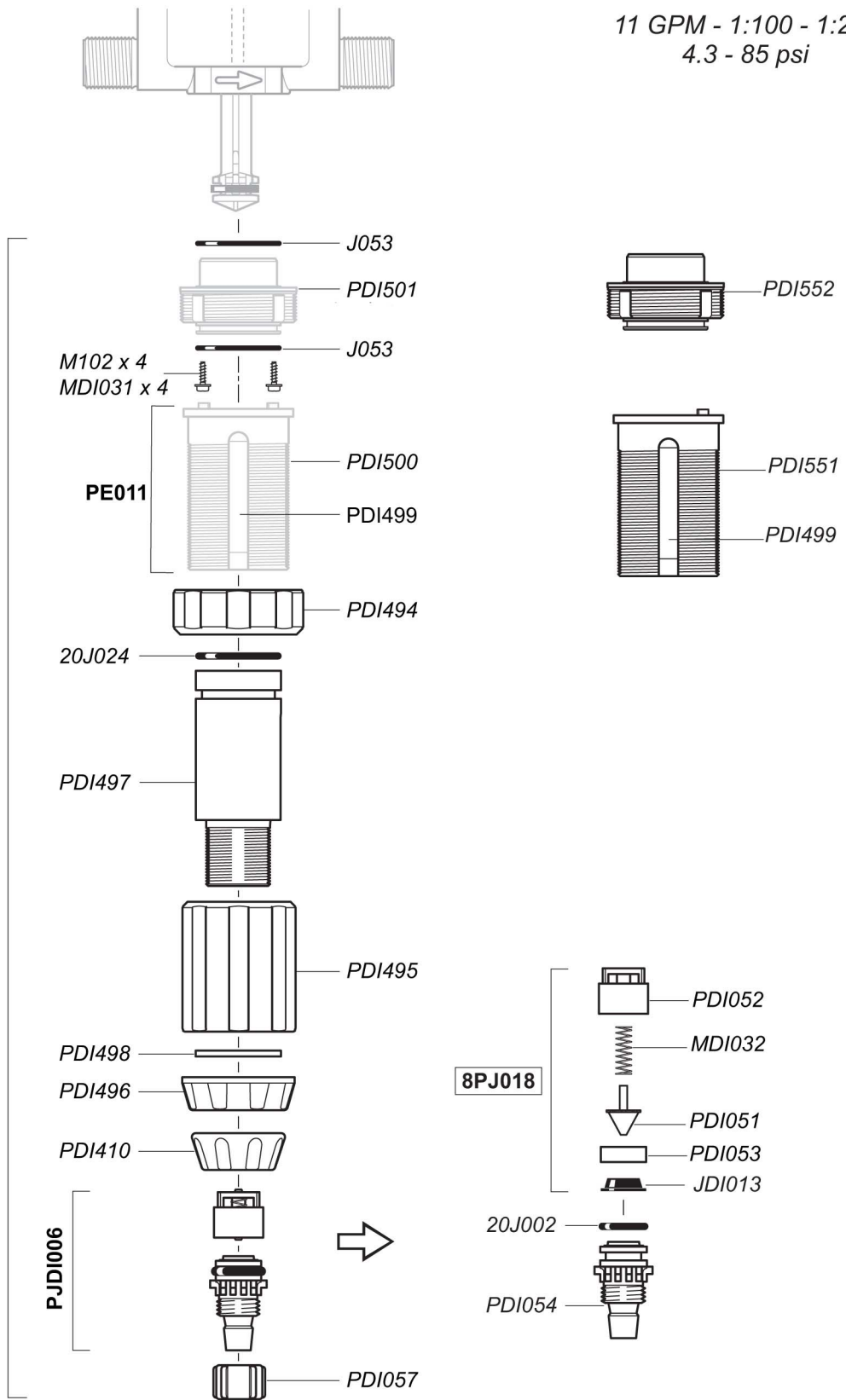
D25RE5

11 GPM - 1:100 - 1:20
4.3 - 85 psi



D25RE5

11 GPM - 1:100 - 1:20
4.3 - 85 psi



D25RE5

11 GPM - 1:100 - 1:20
4.3 - 85 psi

