



**DOSATRON®**

WATER POWERED DOSING TECHNOLOGY

---

# SCHEMATICS

Dosatron Liquid Dispenser

**Model # D25RE5IE – 11 GPM**

1:100 – 1:20

4.3 – 85 PSI

$\frac{3}{4}$ " NPT connection

**Suggested Installation:**

200 mesh/80 micron water filter prior to unit

One-way check valve downstream from unit for water hammer protection

**Suggested Maintenance Interval:**

Replace injection seals every 12 months

**DOSATRON SALES & SERVICE - NORTH & CENTRAL AMERICA**

---

Dosatron International, Inc.

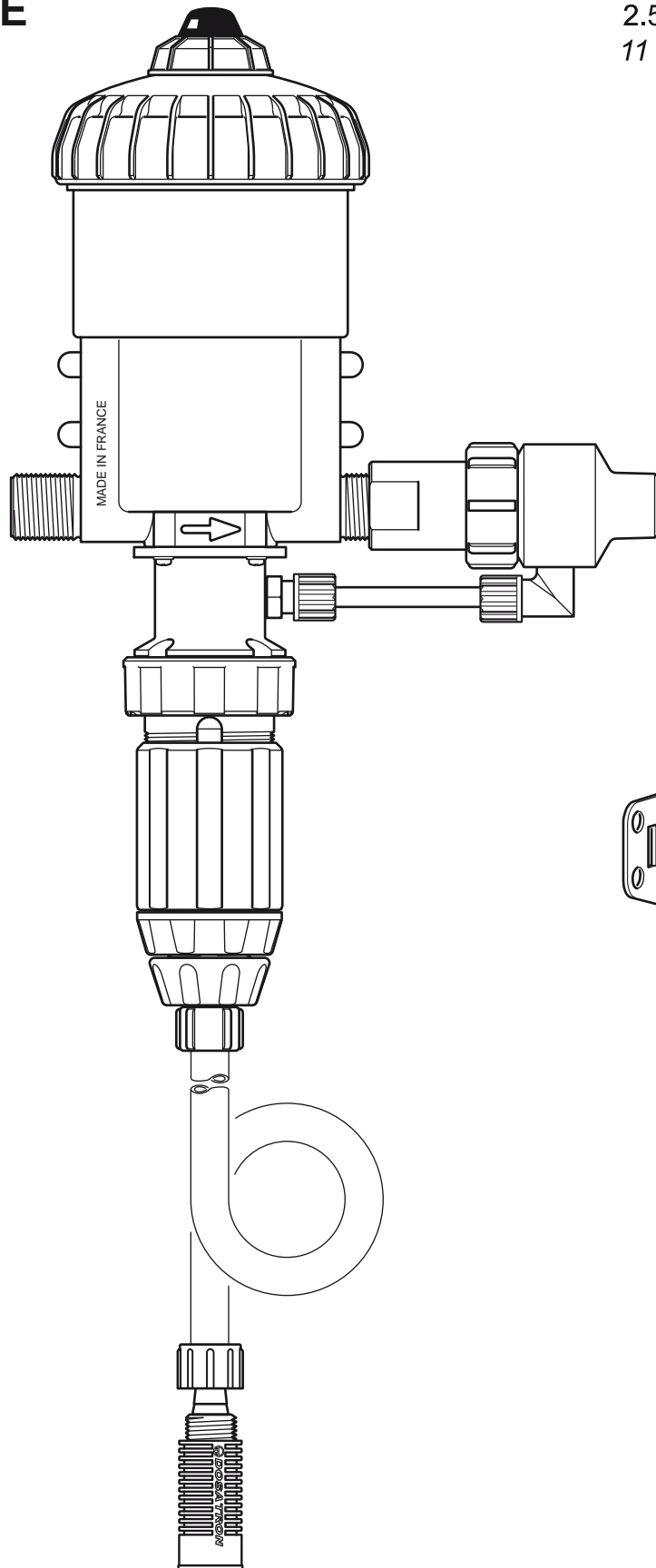
Phone: 727-443-5404 Service: (800) 523-8499

Fax: 727-447-0591

[www.dosatronUSA.com](http://www.dosatronUSA.com)

# D25RE5-IE

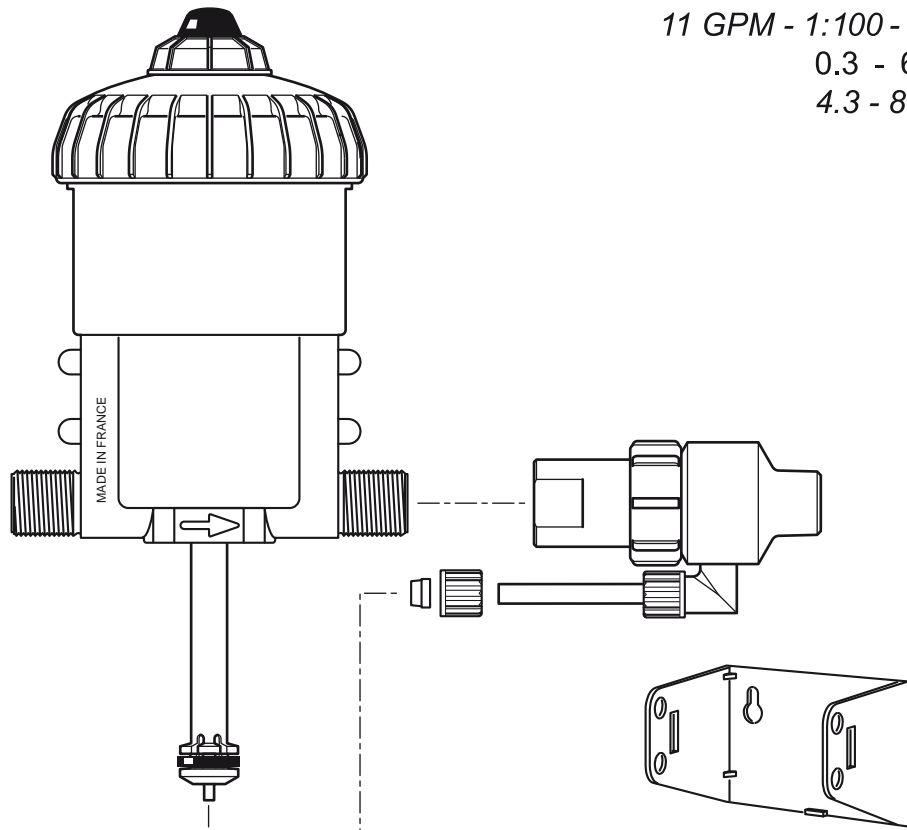
2.5 m<sup>3</sup>/h - 1 - 5%  
11 GPM - 1:100 - 1:20  
0.3 - 6 bar  
4.3 - 85 psi



# D25RE5-IE

2.5 m<sup>3</sup>/h - 1 - 5%  
11 GPM - 1:100 - 1:20  
0.3 - 6 bar  
4.3 - 85 psi

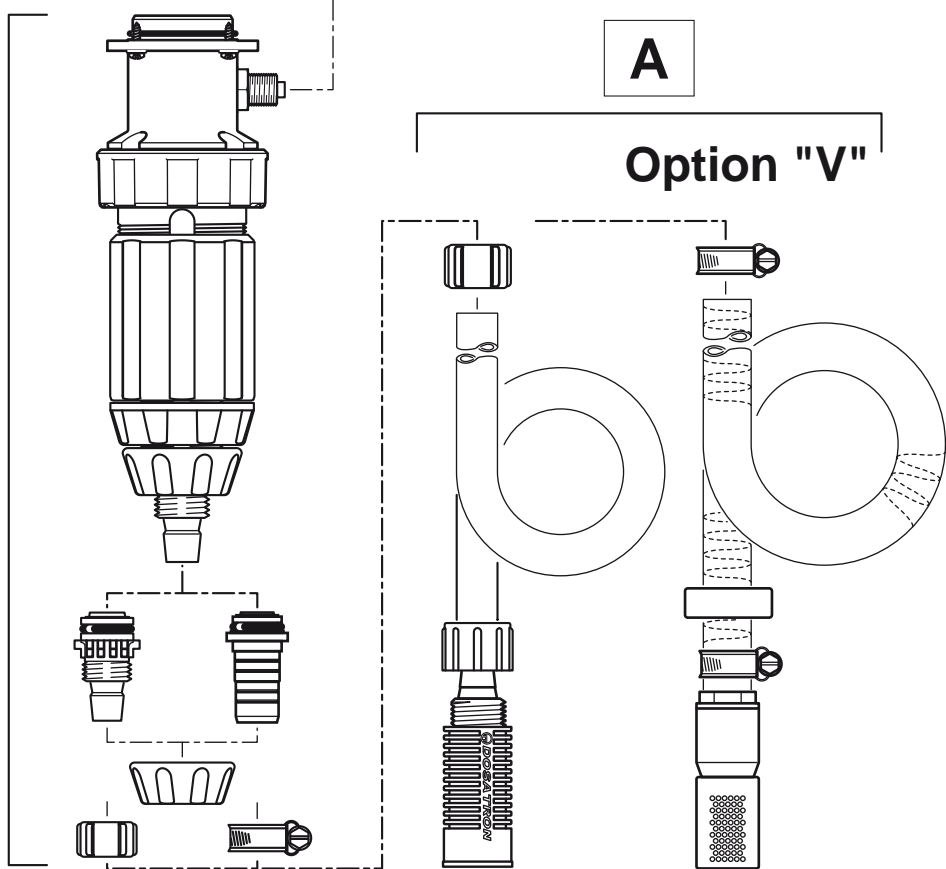
**C+M**



**A**

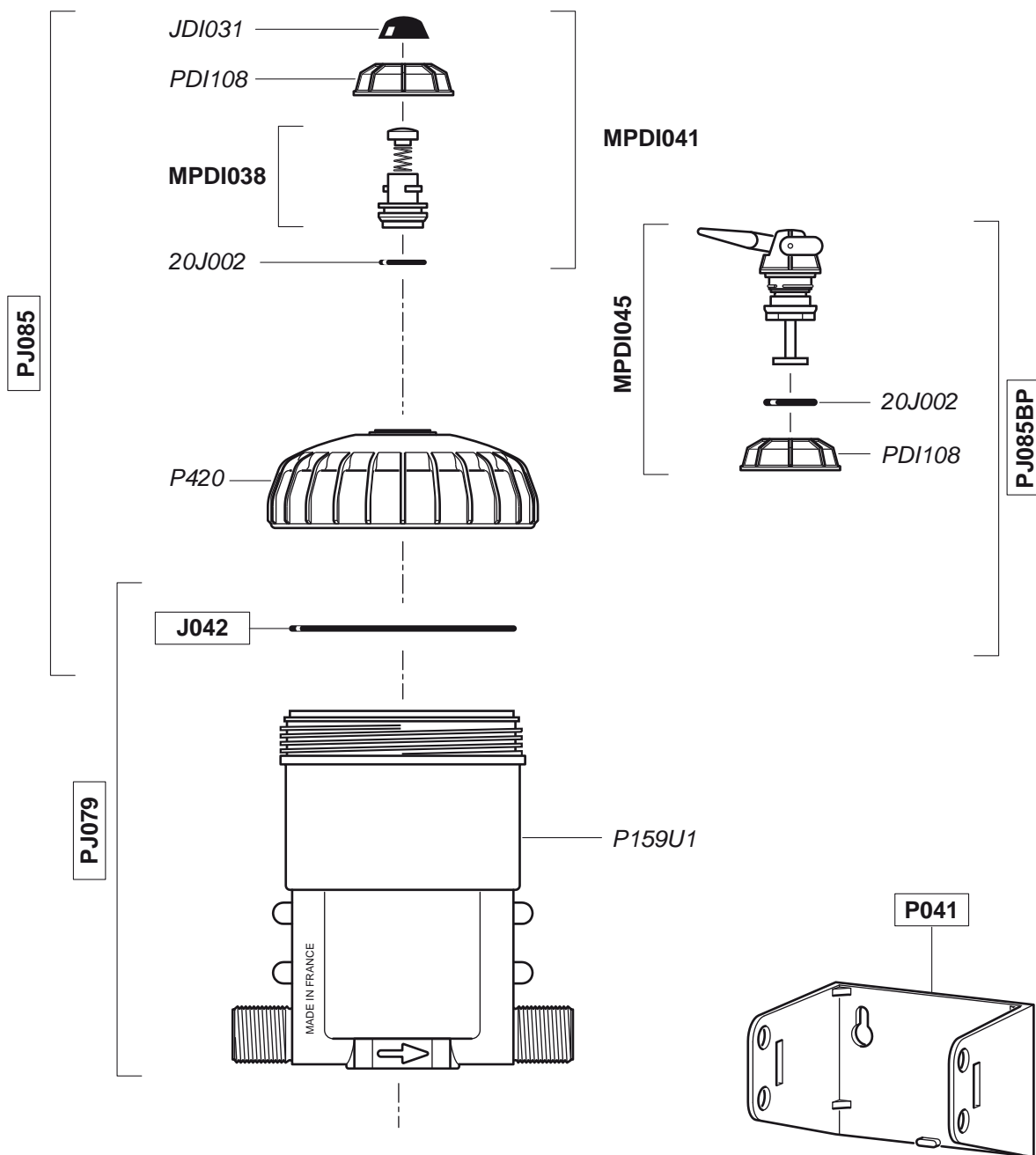
**Option "V"**

**D+IE**



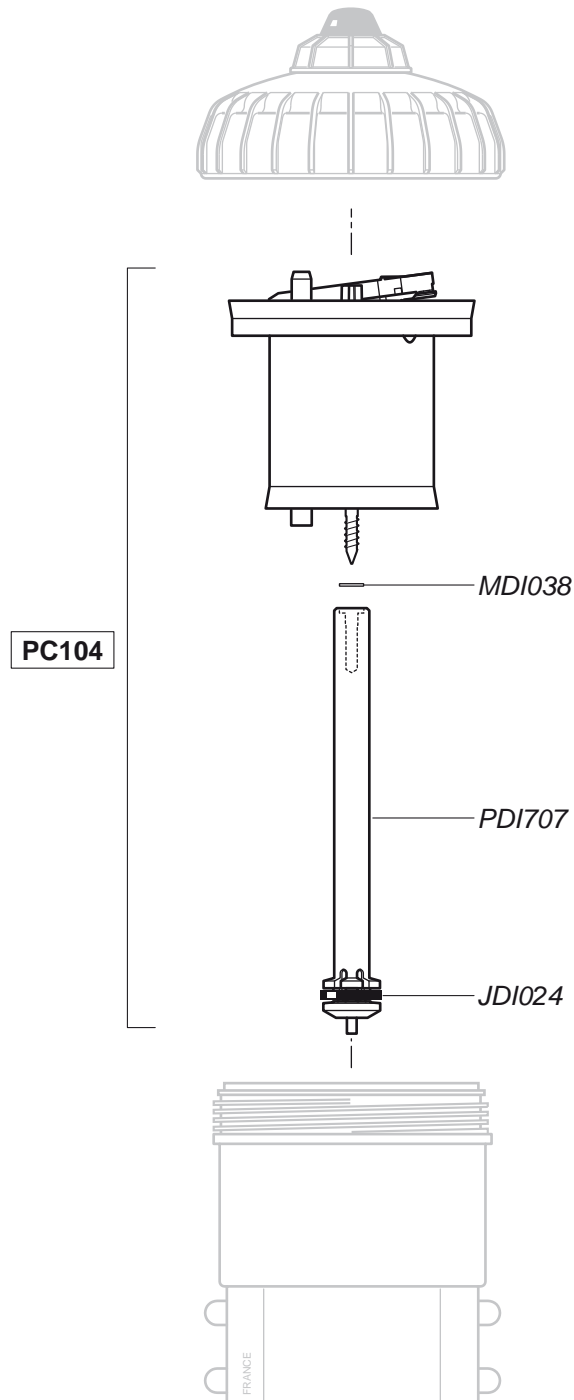
# D25RE5-IE

2.5 m<sup>3</sup>/h - 1 - 5%  
 11 GPM - 1:100 - 1:20  
 0.3 - 6 bar  
 4.3 - 85 psi



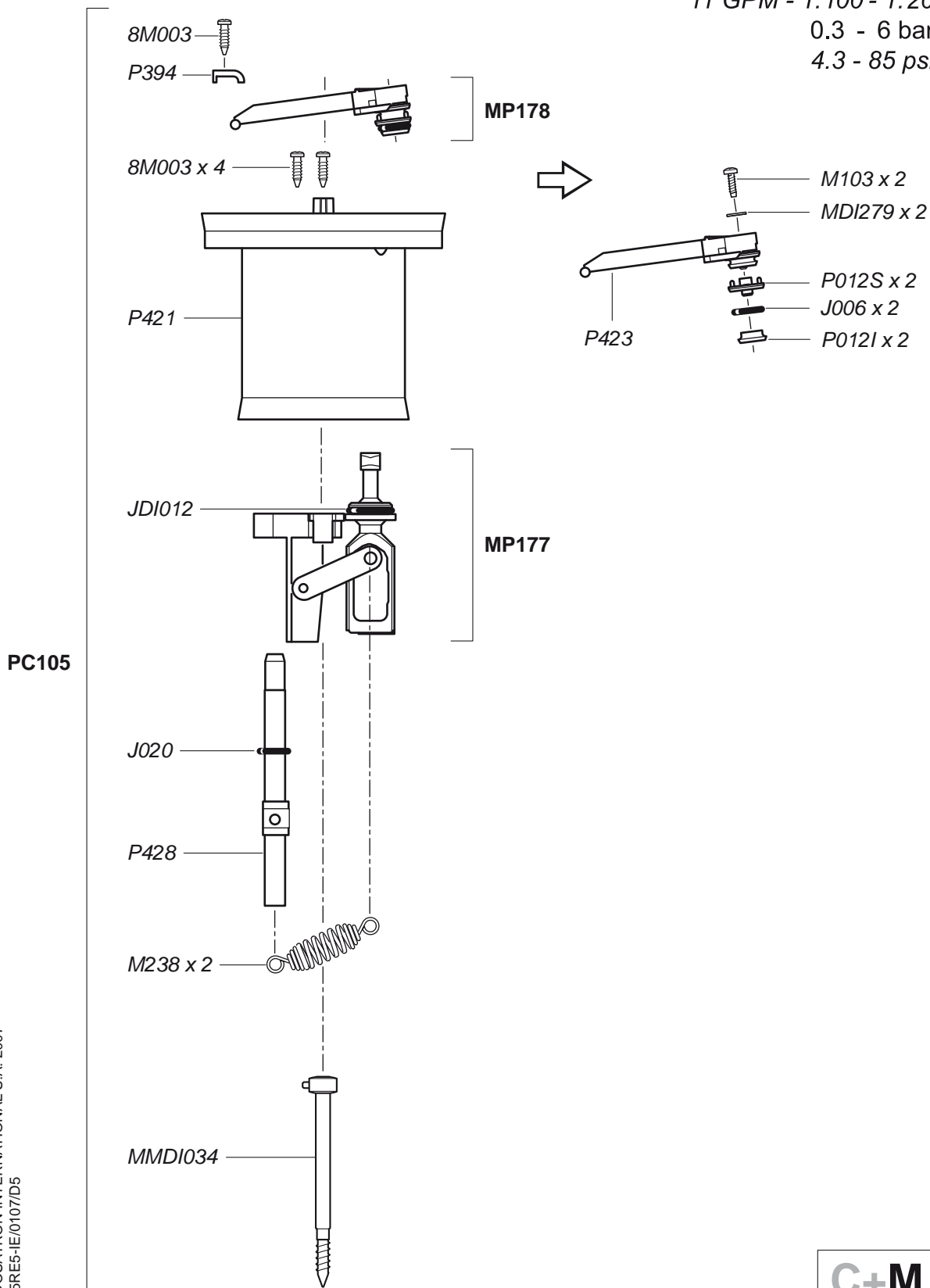
# D25RE5-IE

2.5 m<sup>3</sup>/h - 1 - 5%  
11 GPM - 1:100 - 1:20  
0.3 - 6 bar  
4.3 - 85 psi



# D25RE5-IE

2.5 m<sup>3</sup>/h - 1 - 5%  
 11 GPM - 1:100 - 1:20  
 0.3 - 6 bar  
 4.3 - 85 psi

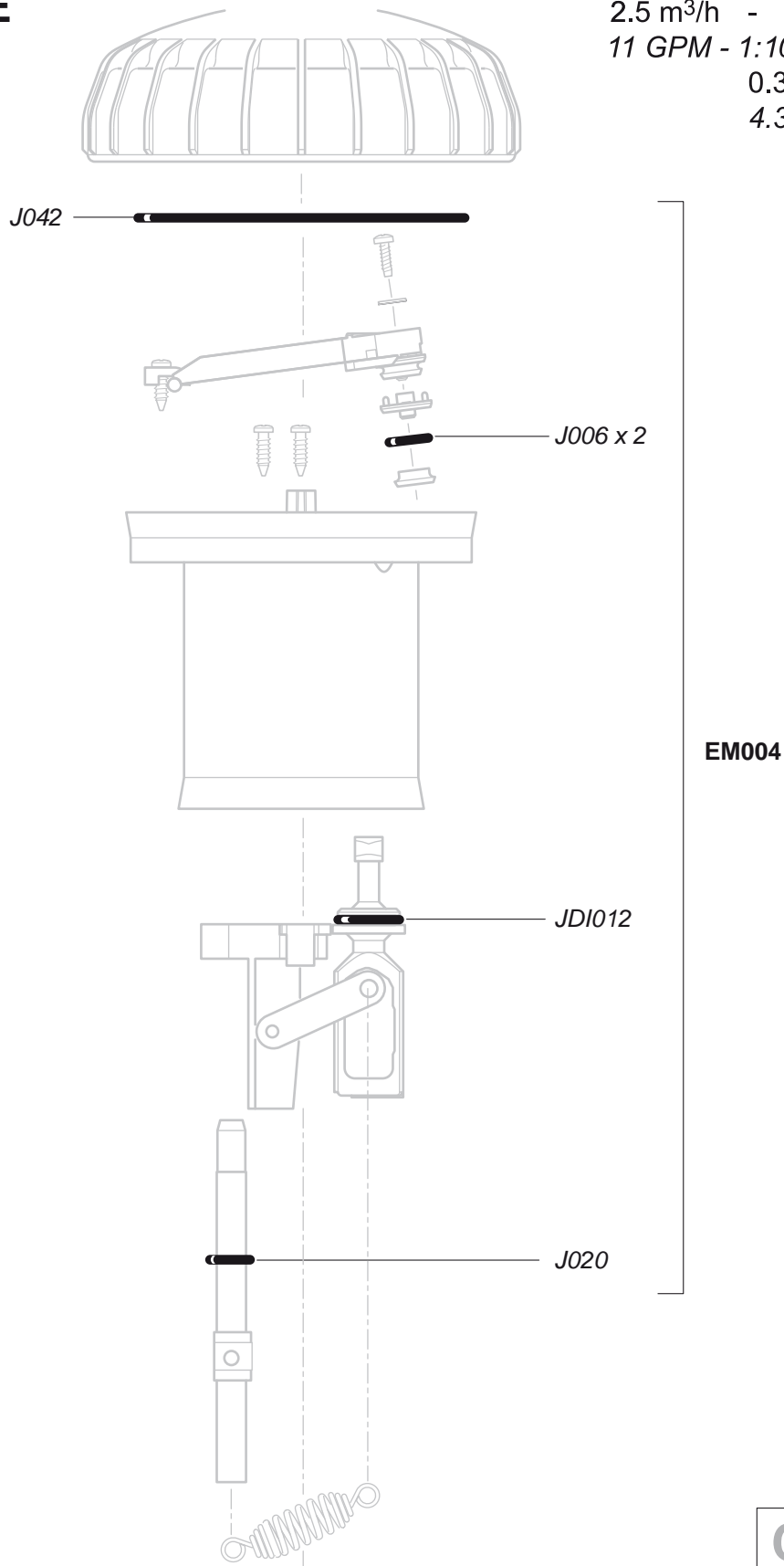


© DOSATRON INTERNATIONAL S.A. 2007  
 D25RE5-IE/0107/D5



# D25RE5-IE

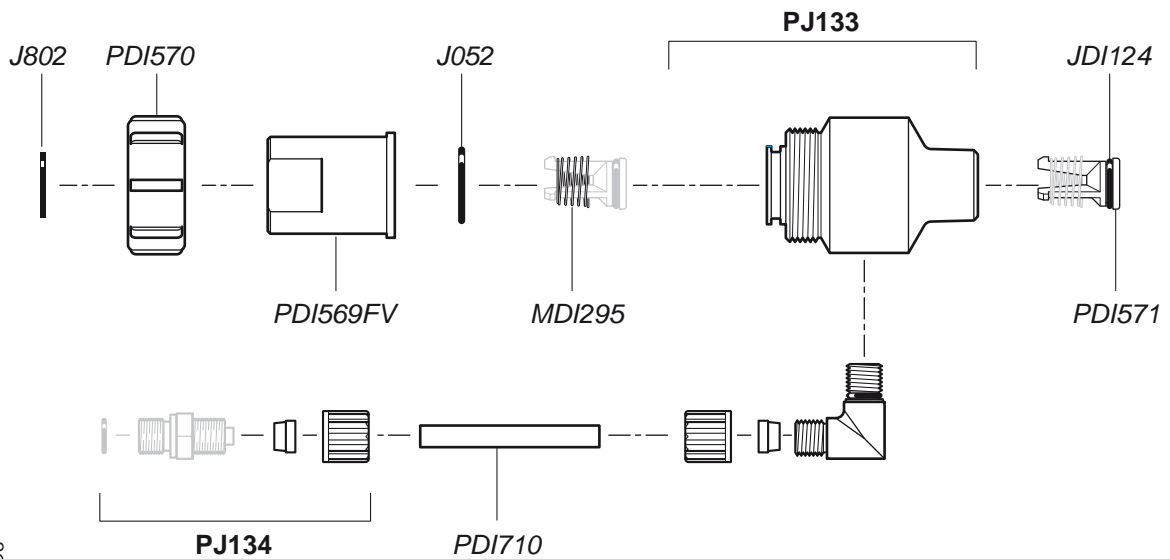
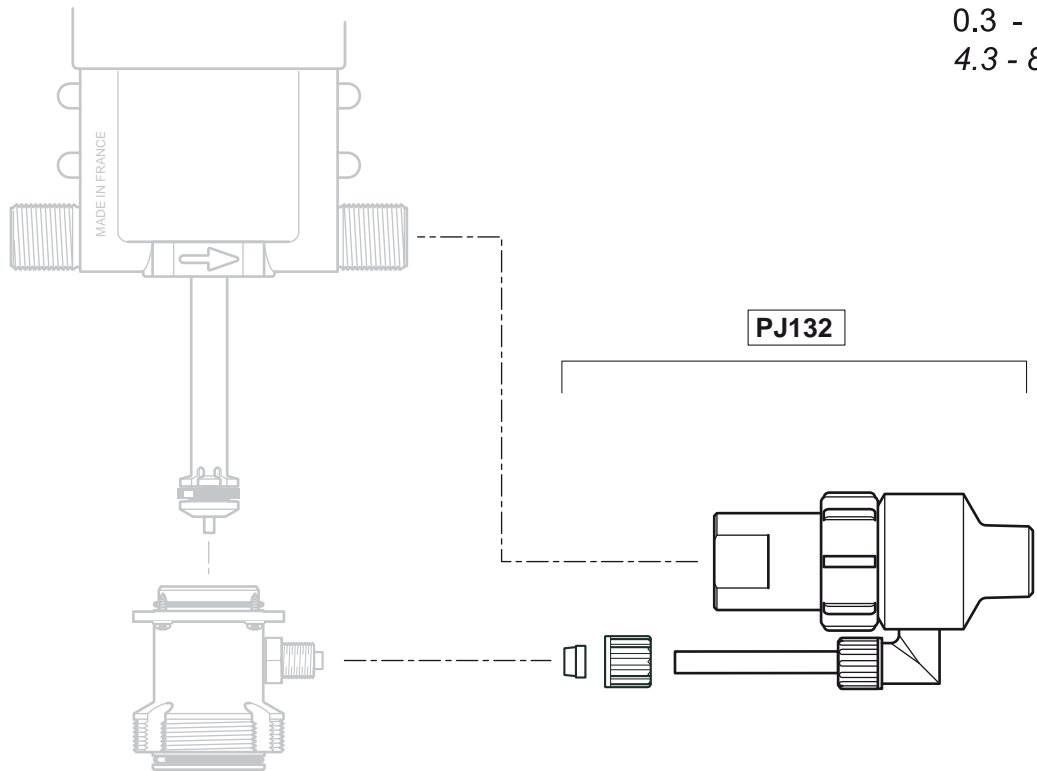
2.5 m<sup>3</sup>/h - 1 - 5%  
11 GPM - 1:100 - 1:20  
0.3 - 6 bar  
4.3 - 85 psi





# D25RE5-IE

2.5 m<sup>3</sup>/h - 1 - 5%  
 11 GPM - 1:100 - 1:20  
 0.3 - 6 bar  
 4.3 - 85 psi

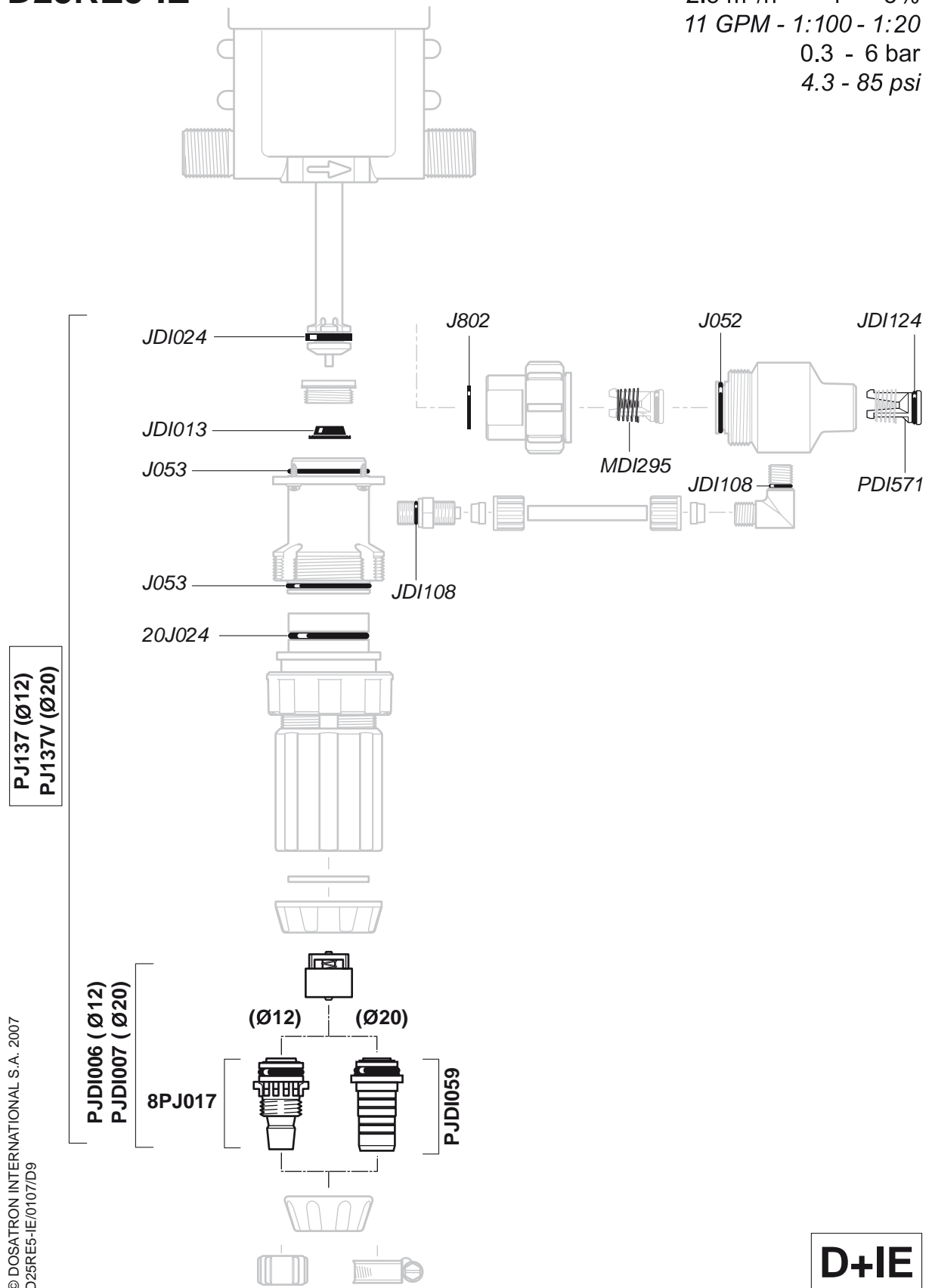


© DOSATRON INTERNATIONAL S.A. 2007  
 D25RE5-IE/0107/D8

**D+IE**

# D25RE5-IE

2.5 m<sup>3</sup>/h - 1 - 5%  
 11 GPM - 1:100 - 1:20  
 0.3 - 6 bar  
 4.3 - 85 psi

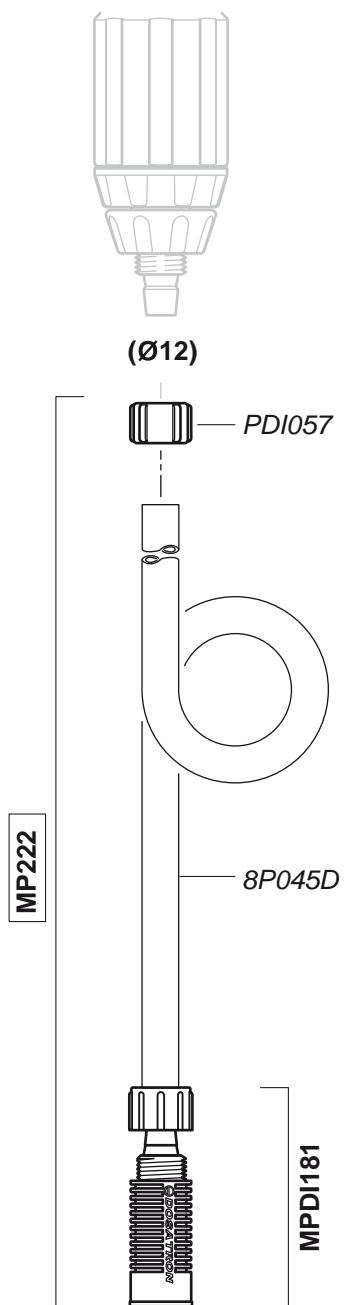


© DOSATRON INTERNATIONAL S.A. 2007  
 D25RE5-IE/0107/D9

**D+IE**

# D25RE5-IE

2.5 m<sup>3</sup>/h - 1 - 5%  
 11 GPM - 1:100 - 1:20  
 0.3 - 6 bar  
 4.3 - 85 psi



## Option "V"

