



DOSATRON®

WATER POWERED DOSING TECHNOLOGY

Pet Wash

Chemical Dispensing System

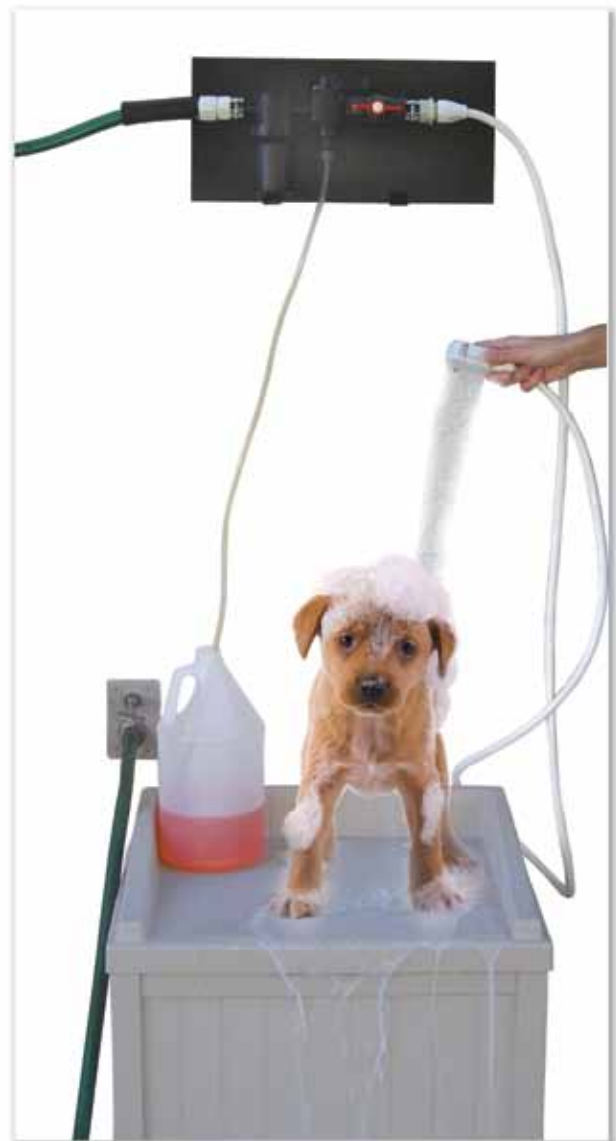
Ideal for veterinarian offices, pet grooming parlors, and kennels.

Dosatron's Pet Washing System is multifunctional, it makes washing pets easy without wasting your concentrates and can also be used to clean and sanitize your facility.

The Pet Washing System is easy to mount and includes a Dosatron water-powered venturi chemical injector, a filter, and a hose with spray nozzle, all mounted onto a convenient, easy-to-install 17" x 8" panel.

The Dosatron Pet Wash System is perfect for:

- Shampooing
- Rinsing
- Conditioning
- Sanitizing/disinfecting
- Flea and tick solution
- Deodorizing
- De-skunking




To learn more about Dosatron call

800-523-8499

or visit

www.dosatronusa.com

UNIT SPECIFICATIONS

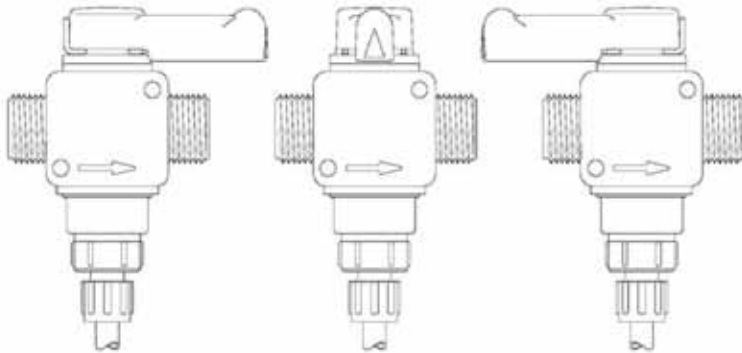
Dosatron Venturi	
MODEL	Venturi
MAX. FLOW	11 GPM
MIN. FLOW	0.05 GPM
DILUTION RANGE	100:1 to 2.3:1*
PRESSURE RANGE	7 to 55 PSI
CONNECTIONS	3/4" NPT



All units include: mounting bracket, suction hose, weighted strainer, and operating manual.
 Housing material: PVDF
 Please review the basic installation drawing for recommended accessories.
 MAXIMUM TEMPERATURE: 104 °F

Dosatron Venturi Dosing System

The Dosatron Venturi Dosing System is easy to set up, use, and maintain.



The venturi functions are:

On position:

- Mixes just the right amount of your pet-washing chemical with water at 2 GPM to produce the perfect cleaning lather

Bypass position:

- Runs clear water at 12 GPM to rinse your pet clean

Self-cleaning position:

- Solves the clogging problem common to other venturi systems by allowing the Dosatron venturi to self-rinse

Perfect for:

- Shampooing
- Rinsing
- Conditioning
- Dematting
- Flea and tick solution
- De-skunking
- Sanitizing/disinfecting

Panel Installation



Customer Service

At Dosatron, we stand behind our units. Our world-class customer service team is always ready to assist you with service and support, for as long as you own your Dosatron.

Not sure what unit fits your needs? Give us a call for unit recommendations.

Want an easy preventive maintenance reminder? Sign up at www.dosatronusa.com/pm for Dosatron's free Preventive Maintenance Program.

Ready to order? Call **800-523-8499** for a distributor near you.

 **DOSATRON**[®]

2090 Sunnydale Blvd.
 Clearwater, FL 33765 USA
 727-443-5404

(Fax) 727-447-0591

800-523-8499

www.dosatronusa.com



2011-10 PF 2009-115-GEN18
 REVISED