

DOSATRON®

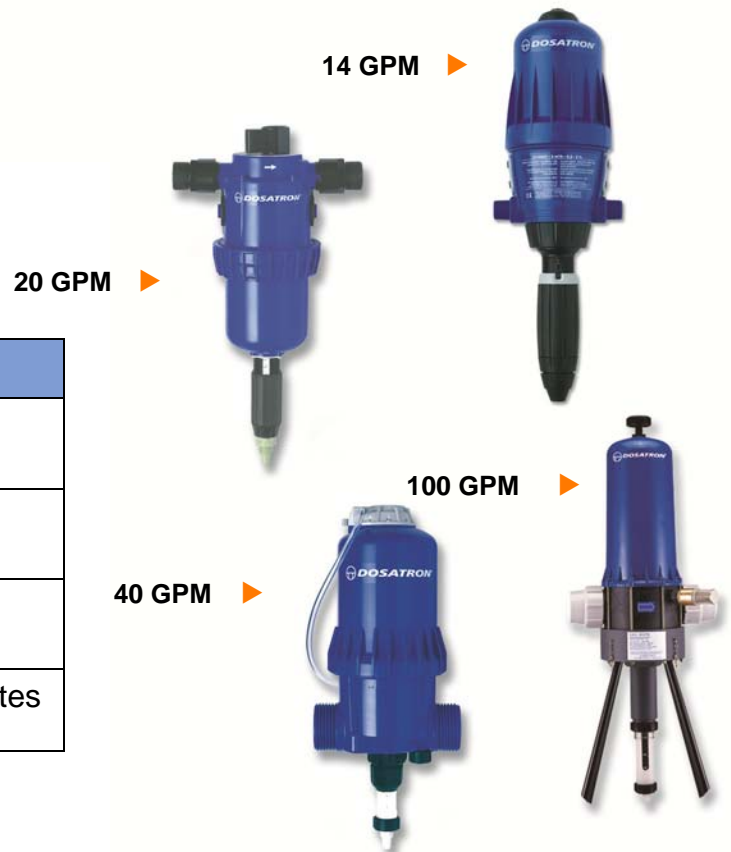
WATER POWERED DOSING TECHNOLOGY

HORTICULTURE

Dosatron Fertilizer Injectors

For all your fertilizing needs

Features	Benefits
Water-powered, non-electric	Reduced energy costs; sustainable
Compensates for flow and pressure changes	Consistent, repeatable results
Simple to use and maintain	Saves time and effort
Easy to adjust	Allows flexible dosage rates

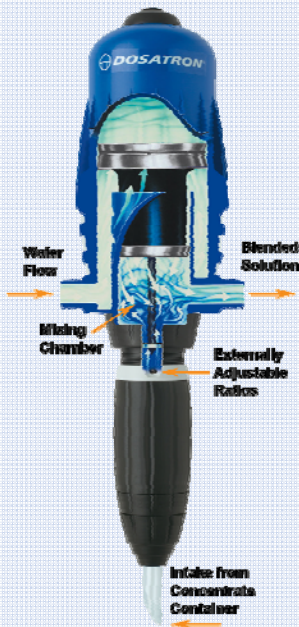


IDEAL FOR INJECTING:

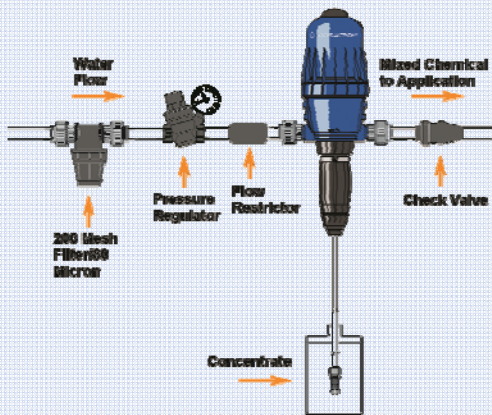
- Fertilizer
- Pesticides
- Disinfectants
- Fungicides
- Algicides
- Surfactants

800-523-8499
www.dosatronusa.com

Unit Operation



Basic Installation



To order or for information call 800-523-8499

Not sure what unit fits your needs? Give us a call for unit recommendations.

Customer Service

At Dosatron, we stand behind our units. Our world-class customer service team is always ready to assist you with service and support, for as long as you own your Dosatron.

Preventive Maintenance Program

Sign up at www.dosatronusa.com/pm.



Unit Specifications

ALL PURPOSE FERTILIZER INJECTORS

Model	Max. Flow	Min. Flow	Injection Percents	Injection Ratios	Pressure Range	Connections
D14MZ2	14 GPM	0.05 GPM	0.2% to 2%	1:500 to 1:50	4.3 to 85 PSI	3/4" NPT
D45RE15	20 GPM	0.4 GPM	0.2% to 1.5%	1:500 to 1:66	7 to 70 PSI	1" NPT
D8R	40 GPM	2.2 GPM	0.2% to 2%	1:500 to 1:50	2 to 110 PSI	1 1/2" NPT
D20S	100 GPM	5 GPM	0.2% to 2%	1:500 to 1:50	2 to 120 PSI	2" NPT

All units include: mounting bracket, suction tube, strainer and weight. Please review the basic installation drawing for recommended accessories.

MAXIMUM TEMPERATURE: 104 °F

DosaCart

Ideal for Garden Centers

Complete Fertilizer Management System

- Proportional On-Demand Dispensing
- Large Tank / Less Refilling
- Portable / Heavy Duty Construction
- No Cart Assembly Required
- Compact Design

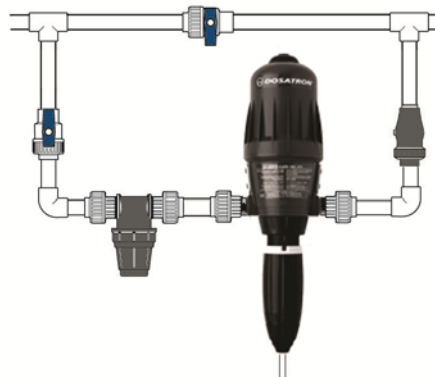
Standard Features

- Polyethylene Tank Construction
- Concentrated Spraying or Foaming
- 15-Gallon Tank
- 10" Tires - No Flats, No Rust

Dosatron Unit Sold Separately. Quick Hook-Up Kit Sold Separately. DosaCart Sold Separately



Bypass Installation



2090 Sunnysdale Blvd., Clearwater, FL 33765 USA • 727-443-5404
Toll Free: 800-523-8499 • Fax: 727-447-0591 • www.dosatronusa.com